

HOLZMANN-MASCHINEN GmbH

Marktplatz 4 · 4170 Haslach · Austria

Telefon +43.(0)7289.71562-0

Telefax +43.(0)7289.71562-4

Email info@holzmann-maschinen.at

Gewerbepark 8 · 4707 Schlüsslberg · Austria

Telefon +43.(0)7248.61116-0

Telefax +43.(0)7248.61116-6

www.holzmann-maschinen.at



BEDIENUNGSANLEITUNG
MODE D'EMPLOI

USER MANUAL
MANUAL DE INSTRUCCIONES



HOLZMANN FS 160L

Revision 2 / 21.06.2011 / DE/EN/FR/ES

www.holzmann-maschinen.at

ENGLISH

Dear Customer!

This manual contains Information and important instructions for the installation and correct use of the milling machine FS 160L.

This manual is part of the machine and may not be stored separately from the machine. Save it for later reference and if you let other persons use the machine, add this instruction to the machine.

Please read and obey the security instructions!



Before first use read this manual carefully. It eases the correct use of the machine and prevents misunderstanding and damages of machine and the user's health.

Due to constant advancements in product design and construction pictures and content may di-verse slightly. However, if you discover any errors, inform us please with the product feedback form.

Technical specifications are subject to changes!

Copyright © 2011

This document is protected by international copyright law. Any unauthorized duplication, translation or use of pictures, illustrations or text of this manual will be pursued by law – court of jurisdiction is A-4020 Linz, Austria!

DEUTSCH

Sehr geehrter Kunde!

Diese Bedienungsanleitung enthält Informationen und wichtige Hinweise zur Inbetriebnahme und Handhabung der Tischfräsmaschine FS 160L.

Die Bedienungsanleitung ist Bestandteil der Maschine und darf nicht entfernt werden. Bewahren Sie sie für spätere Zwecke auf und legen Sie diese Anleitung der Maschine bei, wenn sie an Dritte weitergegeben wird!

Bitte beachten Sie die Sicherheitshinweise!



Lesen Sie vor Inbetriebnahme diese Anleitung aufmerksam durch. Der sachgemäße Umgang wird Ihnen dadurch erleichtert, Missverständnissen und etwaigen Schäden wird vorgebeugt. Halten Sie sich an die Warn- und Sicherheitshinweise. Missachtung dieser kann zu ernststen Verletzungen führen.

Durch die ständige Weiterentwicklung unserer Produkte können Abbildungen und Inhalte geringfügig abweichen. Sollten Sie jedoch Fehler feststellen, informieren Sie uns bitte über E-Mail oder Fax mit Produktinformationsformular am Ende dieser Anleitung.

Technische Änderungen und Irrtümer vorbehalten!

Urheberrecht © 2011

Diese Dokumentation ist urheberrechtlich geschützt. Die dadurch verfassungsmäßigen Rechte bleiben vorbehalten! Insbesondere der Nachdruck, die Übersetzung und die Entnahme von Fotos und Abbildungen werden gerichtlich verfolgt – Gerichtsstand ist A-4020 Linz, Austria!

FRANCAIS

Cher client!

Ce manuel contient informations importantes pour la correcte utilisation du Tupi avec chariot a tenonner FS160L.

Ce manuel doit être soigneusement gardé avec la machine. Ayez le toujours disponible pour pouvoir le consulter.

Lire attentivement et suivez les instructions de sécurité.



Soyez con-naissant des contrôles de la machine et de son utilisation. Lire le manuel facilite la correcte utilisation de la machine et évite les erreurs et les dommages sur la machine et sois même.

Les caractéristiques techniques peuvent varier sans avis préalable

En raison des progrès constants dans la conception et la construction du produit, les illustrations et le contenu peut être quelque peu différente. Toutefois, si vous trouvez une erreur, s'il vous plaît nous en in-former en utilisant le formulaire de commentaires.

Copyright © 2011

Ce document est protégé par le droit international des droits d'auteur. Toute reproduction, traduction ou utilisation des illustrations de ce manuel sans autorisation seront poursuivis par la loi - la compétence des tribunaux A-4020 Linz, Austria.

ESPAÑOL

Estimado Cliente!

Este manual contiene informaciones e instrucciones importantes para el uso correcto e instalación de la máquina FS160L.

Este manual es parte de la máquina y no debe ser guardado aparte de la máquina. Resérvelo para futuras consultas y si otras personas también usan la máquina, deben también ser informados.

¡Lea atentamente y cumpla las instrucciones de seguridad!



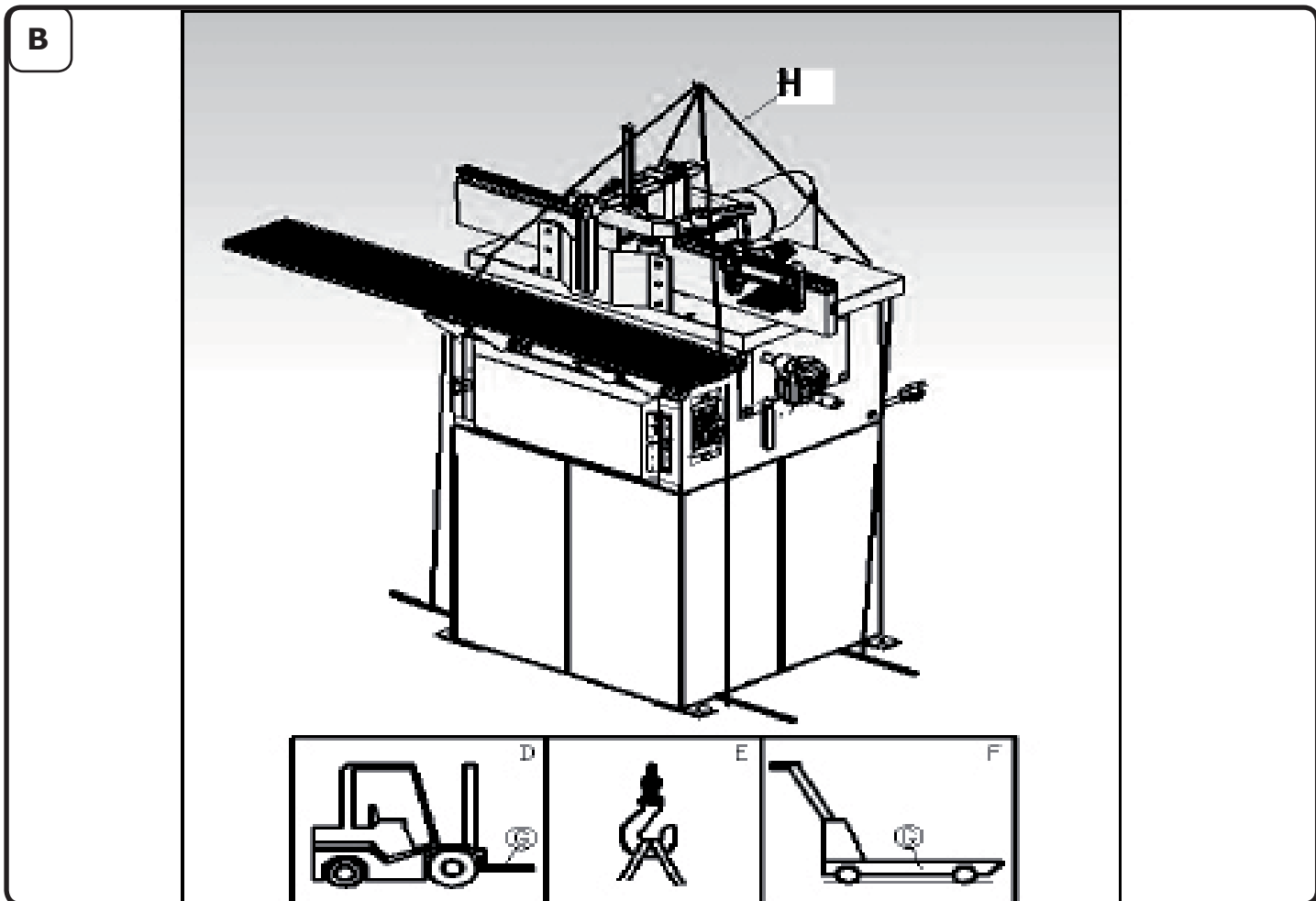
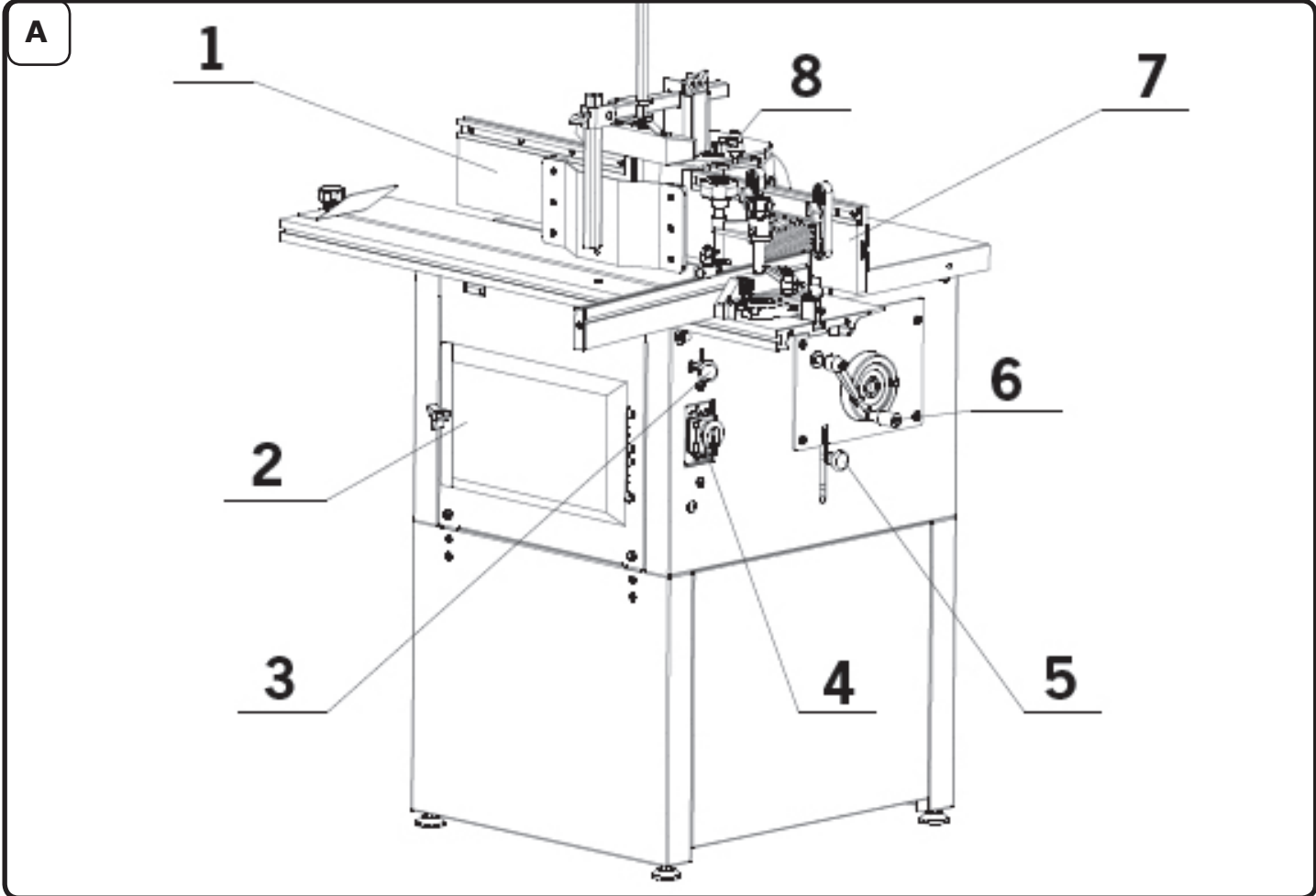
Conozca los controles de la máquina y su manejo. Antes de usar por primera vez esta máquina, ilea el manual con atención! Leer el manual, facilita el uso correcto de la máquina y previene las equivocaciones y daños en la máquina y en la salud del usuario.

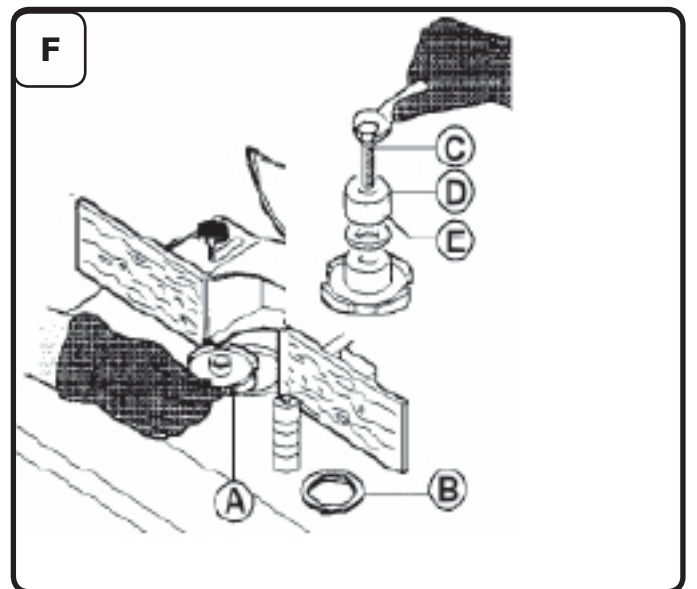
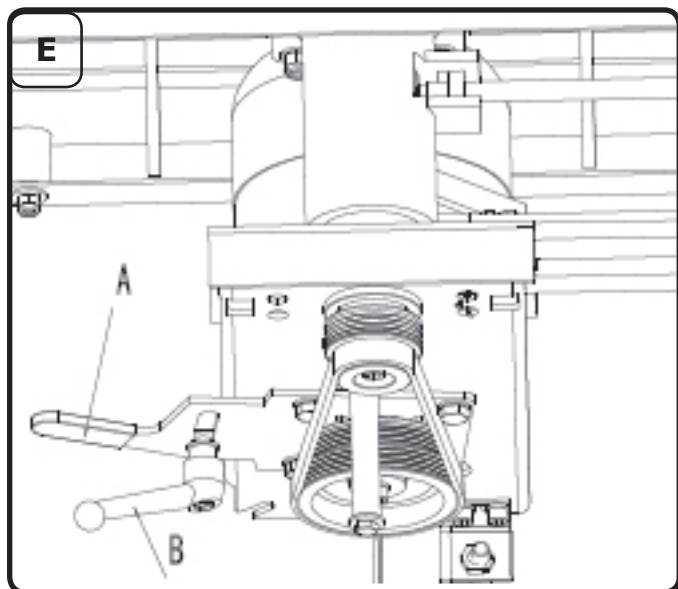
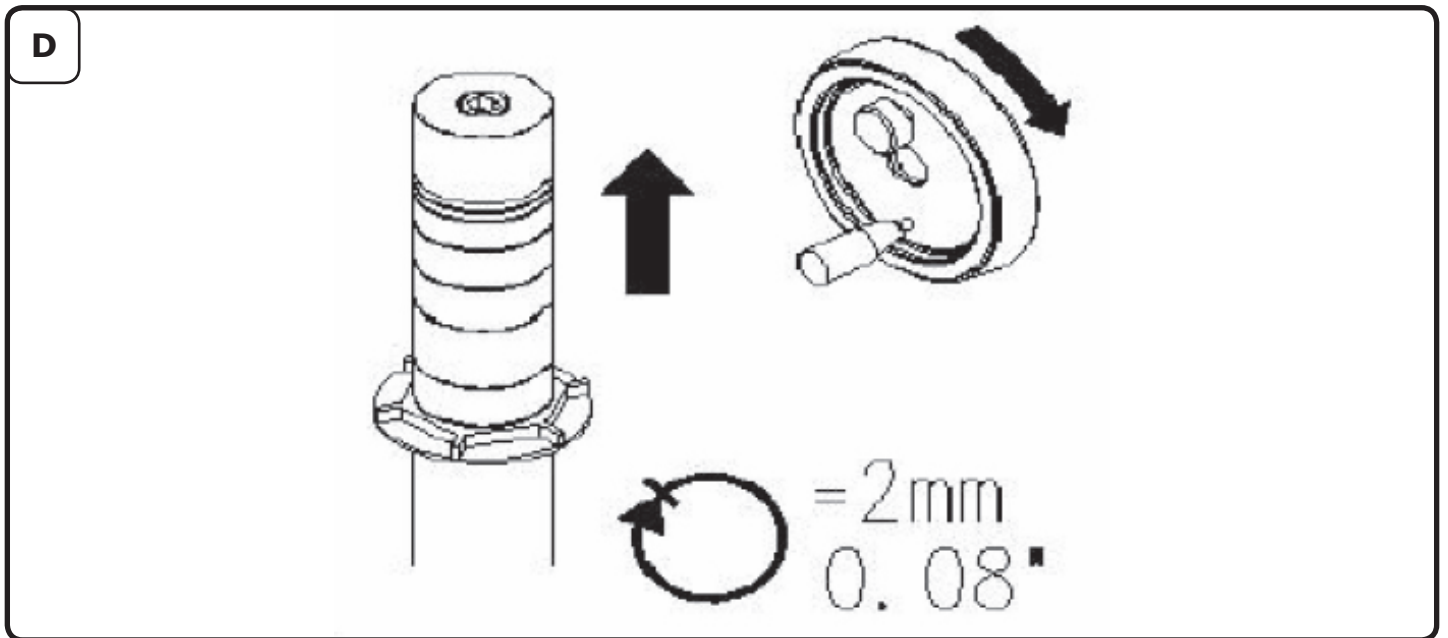
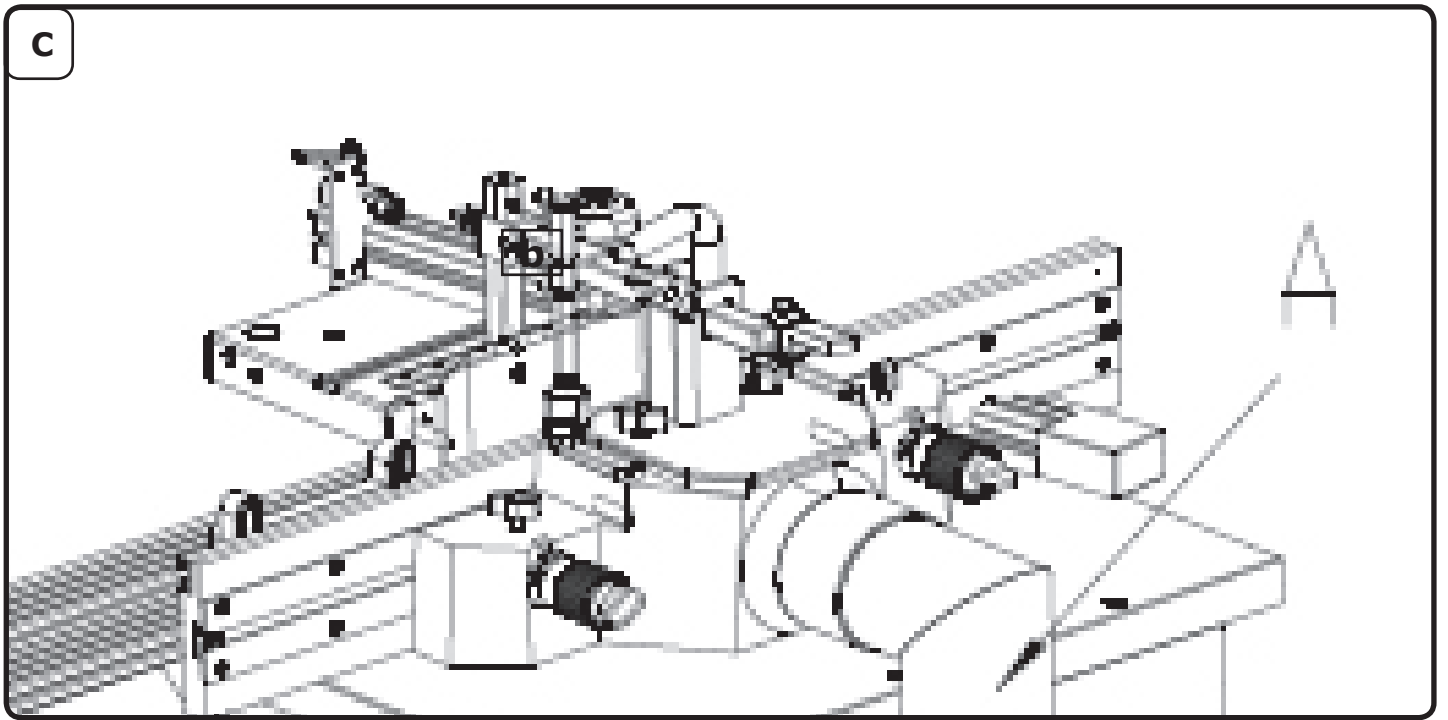
¡Las especificaciones técnicas pueden cambiar sin previo aviso!

Debido a los constantes avances en el diseño y construcción del producto, las ilustraciones y el contenido pueden ser algo diferentes. Sin embargo, si Usted descubre algún error, le rogamos nos informe usando el formulario de sugerencias.

Copyright© 2011

Este documento está protegido por la ley internacional de derecho del autor. Cualquier duplicación, traducción o uso de las ilustraciones sin autorización de este manual serán perseguidas por la ley – tribunal de jurisdicción A-4020 Linz, Austria.





1. SAFETY RULES

READ THE MANUAL

Read and understand the owner's manual and labels affixed to the machine. Learn its application and limitations as well as the specific potential hazards peculiar to it



AVOID DANGEROUS CONDITIONS

Keep working area and the ground clean and free of oil and other materials!

Assure that the working area is sufficiently lighted!

Don't use the machine outside!

The use of the machine is forbidden if you are tired, not concentrated as well if you are under the influence of medicaments, alcohol and other drugs. Reduce distraction sources in the working area. BEWARE: Routine leads to insufficient attention.



OPERATOR

The machine shall be used only by trained persons with an age of at least 18 years.

Non authorized personnel, especially children, shall be kept away from the machine! Make your workshop childproof.



CLOTHING

When working with the machine, don't wear loose clothing, long hair openly or loose jewellery like necklaces etc. Loose objects might be caught by rotating parts and cause serious injuries.



SAFETY EQUIPMENT

Use proper safety clothing and devices when operating the machine (safety glasses, ear protectors)!



WOOD DUST HAZARD

Never use the machine without an adequate connection to a dust collecting system. When working with treated materials, wear additionally a breathing mask.

Wood dust might contain toxic chemical ingredients and harm your respiratory system.



ELECTRIC CONNECTION

Assure yourself that your feeding current complies with the requirements of the motor - check the typeplate.

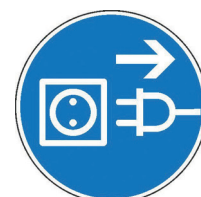
Electric checks and the electric installation of the machine may only be performed by a qualified electrician.

DO NOT touch leading machine parts.



DISCONNECT FROM POWER SUPPLY

Prior to any Cleaning, Check, maintenance or tool change shut the machine off and disconnect it from the power supply in order to prevent unintended start up of the machine.



NEVER FORCE YOUR MACHINE

It will do a better job if used at its designed output rate.

Forcing your machine shortens its lifespan, may cause machine defects and poses a security risk.

DO NOT OVERREACH

Keep proper footing and balance at all times.

SECURE SMALL WORKPIECES

When processing small workpieces, fix them with a suitable device like a vice, downholder, to avoid accidents.
Do not fix or feed small workpieces by hand.
Keep your hands away from dangerous area, always guide the workpiece or tool securely.



MAINTAIN TOOLS WITH CARE

Assure yourself to keep your working tools always sharp and in best working condition.
Defect or blunt tools pose a security risk.

MAINTAIN SAFETY GUARDS, COMPONENTS AND SIGNS

Assure yourself, that all safety guards and safety devices of your machine are working in best condition. Damaged Safety guards have to be repaired before using the machine again.
Check the function of the machines Safety components like Emergency OFF Buttons and Disconnectors in regular intervals.
Defect Safety components have to be replaced immediately.
Check the condition of the Safety signs and operation rule plates on your machine. Replace missing or non-readable ones.

NEVER LEAVE MACHINE RUNNING UNATTENDED

Before leaving the machine, shut it off and wait until the motor and all rotating parts stop.



REMOVE UNUSED TOOLS, KEYS, WRENCHES

Form a habit to check that there are no tools, keys, wrenches ... on the machine/tool before you start the machine.

Remove all accessories and tools from the machine before you switch it on.

SPECIFIC SPINDLE SHAPER SAFETY RULES

When installing a new cutter, keep the unused segment of the cutter below the table.

Adjust the guides as near as possible to the cutter

After installing a new cutter, always rotate the spindle - with the machine being unplugged - by hand in order to **check that the cutter runs freely** and does not touch any machine part.

Always ensure that the cutter, the fence, the spindle height and tilt and all other adjustable components are fixed and tightened properly before operation.

Do not forget to unblock the spindle after installing a new cutter.

Use only cutters that are certified and comply with the

machines technical requirements like max. diameter, spindle diameter and especially check whether the cutter is designed for the spindle rotation speed of the milling machine.

Always feed the work towards the cutter in the direction opposite of the cutter rotation.

Your hands must not come nearer than 12 inches (~ 30cm) to the cutters. Never reach directly across or over the cutters. Never reach behind the cutter to grasp the workpiece.

Beware of material kickbacks! The danger of kickbacks is increased when: the workpiece has knots, holes or foreign objects in it. Warped or uneven workpieces should be planed before shaping or profiling them with the spindle shaper.

Never force a workpiece through the shaper when feeling resistance - high danger of kickback! Let the cutters do the work and reduce the feeding speed.

Keep your cutters evenly sharp. Blunt or uneven cutters increase kickback probability dramatically.

Never attempt to remove too much material in one pass. You will enjoy better working results and a higher safety level if you split the work into multiple passes.

INTENDED USE

This machine is intended to be used for straight profiling and shaping of wood with different cutters. The machine is not designed for shaping along curves.

The workplace must have:

Sufficient lighting conditions to prevent shadows or eye strain.

Access to a suitable dust collecting system!

A clean, level underground that is vibration resistant!

Enough place around the machine for safe handling and feeding of the material.

A proper, compatible electric supply circuit.

Humidity: max. 90% for max. 25°C
max. 70% for max. 40°C

Do not use the machine outdoors.

Do not use the machine in workplaces with explosion and fire hazard.

RESIDUAL RISKS

The work with a spindle moulder always contains a certain risk that can never be eliminated entirely. This is a non complete shortlist indicating some of the most dangerous remaining residual risks:

Risk of personal injury due to workpiece kickback.

Risk of injury through rotating cutter-heads.

Risk of electrocution when touching leading machine components.

You can minimize these residual risks by following all security, maintenance and operation rules.

MACHINE MISUSE

Any use that does not comply with the security rules, workplace requirements, maintenance guidelines or operation rules described in this manual.

HOLZMANN Maschinen cannot be made liable for any damages to machine and person being a direct or indirect consequence of improper use of the machine.

2. MACHINE SPECIFICATION

The FS 160L is a High Quality spindle moulder for the sophisticated private user.

MACHINE OVERVIEW

1. Outfeed fence
2. motor compartment door
3. sliding table lock
4. ON/OFF/Emergency OFF Button
5. Spindle rotation lock
6. spindle height adjustment wheel
7. infeed fence
8. fence securing bolt

TECHNICAL DATA

Motor power S1/S6	1.5kW / 2.1kW
supply voltage	230V or 400V
Spindle diameter	30mm
Spindle travel	110
Spindle speeds	1400/4000/ 6000/9000 rpm
table opening	170mm
max. tool Ø	
below table	144mm
above table	160mm
max. tool height	105mm
dust port Ø	100mm
Table size	600x400mm

3. ASSEMBLY

DELIVERY CONTENT

The machine is shipped partly disassembled. When you unpack the machine check it for: Transport damages

Please report transport damages immediately to the forwarding company that delivered the machine to you, filing a freight claim.

Hidden Transport damages shall be reported immediately after discovering it, but latest 48h after machine delivery.

When unpacking check the delivery content:

spindle ring	18pcs
table ring	2pcs
fence assembly	1pcs
change spindle with 12mm router collet	1pcs
sliding table	1pcs
main machine body	1pcs

TRANSPORT & UNPACKING

While transporting or handling the machine, be most careful and let this activity be

done by qualified personnel especially trained for this kind of activity.

While the machine is being loaded or unloaded, make sure that no person or subject gets crushed by the machine !

Do not enter the area under the machine lifted by a crane or a high-lift trolley!

See Fig. B:

The machine or its individual parts may only be lifted by means of an approved lifting device with verified lifting capacity. Prepare a high-lift truck (D) or a manual lifting carriage (F) with sufficient lifting capacity,

- put the forks (G) below the machine, as shown in the picture.

Should you use a crane (E) or a similar hoisting equipment, proceed as follows:

- prepare four lifting belts (H) or steel ropes at least 2 m long with sufficient lifting capacity,

- fix the ropes to the hook of the crane with the required capacity,

- place the other end of the ropes on the lifting rods put under the machine (rods are not part of delivery),

- after lifting the machine slightly, check the stability of the machine hanging on the ropes.

- lift the machine carefully and slowly and then move it without any rapid changes of the movement to the selected place.

CONNECTION OF THE EXHAUSTING SYSTEM

See Fig. C:

Work on the machine only with the exhaustion system connected and running!

For the proper functioning of the machine, exhaustion equipment with minimum exhaustion capacity of 570 m³/hour and minimum speed of air in the pipes equal to 20m/sec for dry particles and 790 m³/hour and minimum speed of air in the pipes equal to 28m/sec for wet particles is necessary.

Switch on the machine drive and exhaustion system at the same time!

Use flexible exhausting hoses with diameters equal to 100 mm. The exhausting hose is connected to exhausting outlet whose location on machine is as follows:

For the moulding machine the exhausting hose is fitted onto the outlet from the moulding tool cover which also forms the exhausting connector (A). The hose diameter is 100 mm.

CONNECTION TO POWER SUPPLY

Damaged power supply cables must be replaced by the competent specialist immediately. Operation with damaged cables is dangerous to life and is therefore forbidden!

Before putting the machine into operation make sure that the voltage and frequency specified on the machine type plate comply with the values of the mains to which it is connected.

Overvoltage protection shall be provided by the end user.

Before adjustment and replacement of tools and before any adjustment work, alterations and maintenance work, always turn off the switch and disconnect the plug from supply socket.

This machine must be grounded. Inspect and be sure that the power socket of your workplace is reliably grounded.

If you do not have the specific knowledge and experience, let the electric connection be checked by a certified electrician!

4. OPERATION



IMPORTANT

Shut the machine off with the red button of the main switch and wait until the spindle rotation has stopped entirely before performing any adjustments or setups.

For some setups you need to unplug the machine additionally to avoid the danger of unintentional machine start up.

SPINDLE HEIGHT ADJUSTMENT

See Fig. D:

Set the height of the moulding spindle by means of the hand wheel located on the rear right side of the stand and secure it with the arresting screw. One full turn is 2mm.

SPINDLE SPEED CHANGE

See. Fig. E:

To change the spindle speed, loosen the lock handle (A) and pivot the motor assembly towards the spindle. Reposition the belt to the desired speed and tension the knob(B) back again.

INSTALL CUTTER TOOLS

See Fig. F:

Only use moulding cutter tools that are designed for manual feeding and may be clamped firmly and safely. Only tools conforming to EN847-1:2005 and marked shall be used.

Before mounting tool (A) make sure that spacing rings (E) are clean and not damaged. Make sure that the fastening method is proper. The moulding tool is fixed and clamped by bolt (nut) (C), through spindle ring (D) and spacing rings (E) on the moulding spindle!

Adjust the hole in the table according to the diameter of moulding tool (A) by table rings (B).

When installing the moulding tools, the cover of guard needs to be opened. Loose the two locking knobs to open the cover. After installation, close the cover and lock it through the locking knobs.

Warning: Always close the cover of guard and lock it securely after tools are installed.

Always install the cutter tools as low as

possible!

Make it a habit to check immediately after cutter tool installation the free run of the cutter tool. Turn it by hand, it shall not touch the fence or hooding at any time.

FENCE ADJUSTMENT

The fence is a two-piece adjusting system. Each fence is independently adjustable to compensate for different cutting thicknesses and special milling applications.

If you remove the entire edge of a workpiece you should not position the two fences in line, but position the outgoing fence by that mm more in front the cutter tools cut away from the workpiece.

INSTALL ROUTER COLLET SPINDLE

Remove original spindle by fixing spindle and loosening the spindle nut. Install the router collet spindle. Loosen spindle again!

OPERATION ADVICES

- >> Before starting the machine up, check distance between tool and table as well as fence. Check all tightening levers and knobs being tightened properly.
- >> Turn the machine on by pressing the green button 4 (See Fig. A).
- >> Beware of material kickback! To prevent the material to kick upwards, you should adjust the guide rail to workpiece height + max. 5mm.

5. MAINTENANCE



WARNING

Always switch off the motor and disconnect the plug from the power supply prior to any maintenance, upkeep, checks or cleaning.

- >> Visual check of machine, machine parts, power cable, cutting tools for any damage.

Clean the machine regularly after every operation! Clean especially the table, the fence faces and the mitre gauge. Do not clean wood chips etc. by hand but rather use a suitable brush tool and/or pressure air.

Check regularly:

Bolts and connection loose
On/OFF Switch functioning?
Safety components in proper condition?
Tools sharp?

Lubrication:

Protect the table against rust with regular applications of light oil.

Add some grease onto the ways of the sliding table.

Check every month the condition of the V-belt. Check for cracks and glazing. Avoid the V-belt and pulleys to become dirty or greasy - this could cause belt slips during operation. You should replace at least once a year the V-belt.

6. TROUBLESHOOTING



IMPORTANT

Before performing any checks:

Disconnect the machine from the power supply to avoid the danger of unintentional machine start up.

No faults should occur while the machine is used correctly and maintained duly. If the exhausting hose is blocked with chips, the machine should be switched off before handling. If a workpiece becomes jammed, turn off the machine immediately!

A blunt knife often causes that the electric motor becomes heated excessively. If the machine vibrates excessively, check its setting and anchoring, possibly also clamping and balancing of the tools used.

Problem:
Machine does not start

Possible Cause and Solution:
1. Fuse blown or circuit breaker triggered. Replace fuse and/or reset circuit breaker.
2. power cord damaged - Replace it.
3. Microswitch activated - Check if belt change access door is closed properly!

Problem:
Overload kicks out frequently
1. Extension cord, power supply cord not dimensioned adequately! - Replace!
2. Too high material feed rate - Reduce feed rate, adjust to machine output per-

formance.
3. Cutter head is dull - Replace cutterhead knives, use only sharp cutters!

4. For 400V Motors: Phases might be switched or motor does not receive full power through one phase. - Let a certified electrician check your power plug, power socket and cable.

Problem: Cutter does not come up to full speed

1. Inadequate/Volatile power source
- Contact your electric power provider
2. Extension cord too long /to small mm²
- Let this be checked and solved by a certified electrician.

Problem: Cuts are unsatisfactory

1. Dull cutters - Replace cutters
2. Debris, gum, pitch on cutter edge
-Clean remove.
3. wrong combination of Cutter, Feed rate and spindle speed

Problem: Machine vibrates

1. Cutterhead damages - Replace
2. machine stands on uneven surface
Stand must be solidly on level, hard, vibration-free surface. Bolt to floor for additional vibrations reduction.
3. defective V-belt - Replace
4. V-belt tensioned incorrectly - tension correctly (not too hard and not loose)
5. Bent/damaged pulley - May occur if belt tensioned too hard - Replace pulley

Problem: Spindle does not raise freely
Sawdust or dirt in raising mechanism-
Clean the raising mechanism.

Problem: Edge splits on cross grain cuts
1. Cutting technique - Make cross grain cut first, then finish off with grain direction cut + support end of cut with scrap woodblock.

Problem: Raised areas on shaped edge
1. Variable pressure applied by operator on workpiece during cut - Feed constantly, adjust fences and guide rail properly.

Problem: cutting depth not uniform
1. Fence misalignment-align outfeed fence
2. Side pressure onto workpiece not uniform - Guide workpiece with constant pressure against fence

Problem: work burns
1. Too deep cutting per one pass - Especially for hardwood take light cuts and attain full depth with several passes. Do not force the work, feed moderately slow and steadily.

7. GUARANTEE & SERVICE

Please consult our troubleshooting section for initial problem solving. Feel free to contact your HOLZMANN reseller or us for Customer Support!

Warranty claims based on your sales contract with your HOLZMANN retailer, including your statutory rights, shall not be affected by this guarantee declaration.

GUARANTEE TERMS (APPLICABLE FROM March 09th ,2011)

HOLZMANN-MASCHINEN grants guarantee according to following conditions:

A) The guarantee covers the correction of deficiencies to the tool/machine, at no charge, if it can be verified adequately that the deficiencies were caused by a material or manufacturing fault.

B) The guarantee period lasts 12 months, and is reduced to 6 months for tools in commercial use. The guarantee period begins from the time the new tool is purchased from the first end user. The starting date is the date on the original delivery receipt, or the sales receipt in the case of pickup by the customer.

C) Please lodge your guarantee claims to your HOLZMANN reseller you acquired the claimed tool from with following information:

- >> Original Sales receipt and/or delivery receipt
- >> Service form (see back section of manual) filed, with a sufficient deficiency report
- >> for spare part claims: a copy of the respective exploded drawing with the required spare parts being marked clear and unmistakable.

D) The Guarantee handling procedure and place of fulfilment is determined according to HOLZMANNs sole discretion in accordance with the HOLZMANN retail partner. If there is no additional Service contract made including on-site service, the place of fulfilment is principally the HOLZMANN Service Center in Haslach, Austria.

Transport charges for sendings to and from our Service Center are not covered in this guarantee.

E) The Guarantee does not cover:

- Wear and tear parts like belts, provided tools etc., except to intial damage which has to be claimed immediately after receipt and inital check of the machine.
- Defects in the tool caused by non-compliance with the operating instructions, improper assembly, insufficient power supply, improper use, abnormal environmental conditions, inappropriate operating conditions, overload or insufficient servicing or maintenance.
- Damages being the causal effect of performed manipulations, changes, additions made to the machine.
- Defects caused by using accessories, components or spare parts other than original HOLZMANN spare parts.
- Slight deviations from the specified quality or slight appearance changes that do not affect functionality or value of the tool.
- Defects resulting from a commercial use of tools that - based on their construction and power output - are not designed and built to be used within the frame of industrial/commercial continuous load.

F) Claims other than the right to correction of faults in the tool named in these guarantee conditions are not covered by our guarantee.

G) This guarantee is voluntary. Therefore Services provided under guarantee do not lengthen or renew the guarantee period for the tool or the replaced part.

SERVICE AVAILABILITY & SPARE PARTS

After Guarantee and warranty expiration specialist repair shops can perform maintenance and repair jobs.

But we are still at your service as well with spare parts and/or machine service. Place your spare part / repair service cost inquiry by filing the SERVICE form to be found in the back section of this manual and send it:

via Mail to service@holzmann-maschinen.at
via Fax to +43 7248 61 116 6



1. SICHERHEIT

LESEN SIE DIE ANLEITUNG AUFMERKSAM DURCH

Lesen und verstehen Sie die Bedienungsanleitung, machen Sie sich mit der Maschine und mit den Sicherheitshinweisen und seinen Gefahrenquellen vertraut. Heben Sie die Anleitung auf. Wenn diese Maschine an Dritte weitergegeben wird, so legen Sie die Anleitung bei.



GEFAHRENQUELLEN REDUZIEREN

Halten Sie den Arbeitsbereich sowie den Boden sauber. Sorgen Sie für ausreichend gute Lichtverhältnisse im Arbeitsbereich!

Kein Betrieb der Maschine im Freien!

Der Betrieb der Maschine ist untersagt, wenn Sie müde, unkonzentriert oder unter dem Einfluss von bewußtseinsbeeinträchtigenden Substanzen wie Alkohol oder Drogen stehen. Wenn Sie Medikamente nehmen, müssen Sie sich die Arbeitserlaubnis für diese Maschinen von ihrem zuständigen Arzt ausstellen lassen. Reduzieren Sie Störquellen und Ablenkungsquellen in der Arbeitsumgebung! Beachten Sie, dass Routine zu Unachtsamkeit führen kann - Arbeiten Sie stets konzentriert und machen Sie regelmäßig Pausen.



ANFORDERUNGEN AN DAS BEDIENPERSONAL

Die Maschine darf nur von Fachpersonal ab 18 Jahren bzw. ab 16 Jahren unter Aufsicht eines volljährigen Fachmannes bedient werden.

Dritte Personen, insbesondere Kinder, sind von der Maschine fernzuhalten!



ACHTEN SIE AUF SICHERE ARBEITSBEKLEIDUNG

Tragen Sie keine abstehende Kleidung oder Kleidungsstücke, keinen Schmuck und kein langes offenes Haar, wenn Sie an der Maschine arbeiten. Diese könnten sich in rotierenden Teilen verfangen und zu schweren Verletzungen führen!



SICHERHEITSAUSRÜSTUNG

Tragen Sie geeignete Schutzausrüstung (Sicherheitsbrillen, Gehörschutz)!



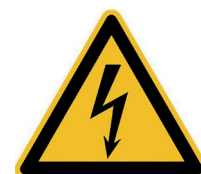
GEFÄHRDUNG DER ATEMWEGE

Die Maschine muss für den Betrieb an ein geeignetes Absaugsystem angeschlossen werden. Wenn Sie mit behandelten Holzwerkstoffen arbeiten, sollten Sie zusätzlich einen Atemschutz tragen. Holzstaub von behandelten Werkstoffen kann besonders gesundheitsschädigende Substanzen enthalten.



ELEKTRISCHER ANSCHLUSS

Vergewissern Sie sich dass das Speisestromnetz den Anforderungen der Maschine genügt - Prüfen Sie hierfür die V/Hz/Ph Anforderungen auf Typenschild sowie Motor der Maschine. Elektrische Prüfungen und der elektrische Anschluss dürfen nur von einem Elektriker vorgenommen werden. Berühren Sie keine leitenden Bauteile der Maschine -Stromschlaggefahr!



ÜBERLASTEN SIE DIE MASCHINE NICHT

Sie erzielt bessere Ergebnisse, wenn sie im Rahmen ihres Leistungspotentials belastet wird. Das andauernde Überlasten der Maschine verkürzt außerdem dessen Lebensspanne, und kann zu plötzlichen Maschinendefekten und zu darausfolgenden Gefahrensituationen führen.



ACHTEN SIE AUF EINE SICHEREN STAND

Achten Sie stets auf sicheren Stand beim Arbeiten, tragen Sie rutschfeste Schuhe und übergreifen Sie nicht mit den Armen.

SICHERN SIE KLEINE WERKSTÜCKE ZUSÄTZLICH

Kleine Werkstücke sollten stets zusätzlich gesichert werden mit geeigneten Hilfsmitteln, um Unfälle zu vermeiden. Außerdem sollten kleine Werkstücke nie per Hand zugeführt werden. Hände stets aus dem Gefahrenbereich fernhalten und Werkstücke stets abrutschsicher zuführen.

HALTEN SIE WERKZEUGE IM BESTEN ZUSTAND

Ihre Werkzeuge sollten stets gut geschärft und in einwandfreiem Zustand sein. Gute, hochwertige Werkzeuge, welche gut gewartet werden, tragen in außergewöhnlich hohem Maße zu guten Arbeitsergebnissen bei.

SICHERHEITSVORRICHTUNGEN & SICHERHEITSSCHILDER

Prüfen Sie regelmäßig die Sicherheitsvorrichtungen sowie die Hinweisschilder auf einwandfreien Zustand. Beschädigte Vorrichtungen sind umgehend zu ersetzen, genauso wie schlecht leserliche oder fehlende Sicherheitshinweisschilder.

MASCHINE NIE OHNE AUFSICHT LAUFEN LASSEN

Schalten Sie die Maschine aus und warten Sie, bis sie zum Stillstand gekommen ist, bevor Sie den Arbeitsbereich verlassen.



WERKZEUGE VON ARBEITSFLÄCHE ENTFERNEN

Machen Sie es sich zur Gewohnheit, vor jeder Inbetriebnahme zu prüfen, dass keine Werkzeuge, Schlüssel, oder sonstige Gegenstände auf der Maschine bzw. im Arbeitsbereich herumliegen.

SPEZIFISCHE SICHERHEITSHINWEISE FÜR FRÄSEN

Wenn Sie einen neuen Fräskopf installieren, sollten Sie den nicht benutzten Abschnitt des Profils unter den Tisch versenken.

Richten Sie die Fräsanschläge so nahe wie möglich am Fräskopf aus.

Nachdem Sie einen neuen Fräskopf installiert haben, drehen Sie die Spindel per Hand um sicherzustellen, dass der Fräskopf frei rotieren kann.

Stellen Sie vor Einschalten der Maschine sicher, dass die Fixierhebeln und -knäufe festgezogen sind.

Vergessen Sie nicht, die Spindel zu entsperren, nachdem Sie einen neuen Fräskopf installiert haben.

**Verwenden Sie nur zertifizierte Fräs-
werkzeuge**, dessen technische Parameter mit denen der Maschine zusammenpassen. Achten Sie insbesondere darauf, dass die max. Drehzahl, bei der das Fräs-
werkzeug verwendet werden darf, stets über dem Wert liegt, bei dem es an der Maschine betrieben wird.

**Führen Sie das Werkstück bei normaler
Bearbeitung stets gegen Laufrichtung
des Fräskopfes zu.**

**Halten Sie ihre Hände von dem rotierenden
Fräskopf fern (min. 30cm).**
Achten Sie darauf, dass Ihre Hände stets abrutschsicher das Werkstück führen. Greifen Sie mit den Händen nie quer über die Maschine oder insbesondere über den rotierenden Fräskopf..

Vorsicht vor Materialrückschlag!

Erhöhte Rückschlaggefahr bei:
Werkstücken, die Knorren etc. beinhalten, unebenen Werkstücken. Diese sollten vor Bearbeitung abgerichtet werden.
Üben Sie keinen großen Druck aus bei der Werkstückzufuhr, lassen Sie die Schnittprofile die Arbeit machen. Richten Sie die Vorschubgeschwindigkeit dem Material sowie dem Schnittprofil an.
Versuchen Sie nicht, mit Gewalt viel Material in einem Arbeitsschritt abzunehmen. Halten Sie ihre Schnittprofile stets gleichmäßig scharf. Stumpfe, beschädigte oder unterschiedlich weit geschliffene Profile können nicht verwendet werden.

BESTIMMUNGSGEMÄSSE VERWENDUNG

Die HOLZMANN FS 160L ist ausschließlich zum Bearbeiten von Holz bestimmt. Es sind ausschließlich den technischen Anforderungen der Maschine entsprechend geeignete Fräswerkzeuge zu verwenden. Die Maschine ist nicht für Rund- Anlauf-
Bogenfräsen geeignet.
Die Maschine muss gemeinsam mit einer Absauganlage mit mindestens 570m³ Absaugleistung/h betrieben werden.

Die Maschine nur in technisch einwandfreiem Zustand sowie bestimmungsgemäß, sicherheits- und gefahrenbewußt unter Einhaltung der in dieser Anleitung angeführten Hinweise, Vorschriften und technischen Grenzen/Anforderungen verwenden.

Störungen, welche die Sicherheit beeinflussen können, sofort beseitigen lassen!

Der Arbeitsplatz muss über ausreichende Beleuchtung verfügen, weiters muss ein

Anschluss an eine Absaugvorrichtung in max. 10 Laufmeter Abstand gewährleistet sein.

Der Boden muss schwingungsresistent und eben sein, um die Last der Maschine tragen zu können und um Vibrationen während dem Betrieb zu minimieren.

Sorgen Sie grundsätzlich für mindestens 1m Raum rund um die Maschine sowie weiters für genügend Raum für Zufuhr der Werkstoffe sowie für schnelles Verlassen des Gefahrenbereiches bei einem Notfall. Der Arbeitsplatz muss über einen geeigneten Stromanschluss verfügen.

Umgebungstemperatur: 5° - 40°C
Luftfeuchtigkeit: max. 90% bei 25°C
max. 70% bei 40°C

Der Betrieb im Freien ist verboten.
Der Betrieb bei Nässe oder Spritzwassergefahr ist verboten.
Der Betrieb in brand- oder explosionsgefährlicher Arbeitsumgebung ist verboten.

RESTRISIKEN

Die Arbeit mit dieser Maschine beinhaltet stets ein nicht eliminierbares Restrisiko. Folgende Liste weist auszugsweise auf wichtige Restrisiken hin:

Verletzungsgefahr durch Materialrückschlag.

Schwere Verletzungsgefahr durch den rotierenden Fräskopf.

Stromschlaggefahr bei elektrischem Maschinendefekt bzw. beim Berühren von stromführenden Bauteilen.

Minimieren Sie die Restrisiken durch Befolgung sämtlicher Sicherheits- Betriebs sowie Wartungshinweise.

SICHERHEITSVORRICHTUNGEN

Die FS 160L ist in Übereinstimmung aller Vorschriften zu Maschinen- und Arbeitssicherheit konstruiert worden.

1. Notauskappe auf EIN/AUS Schalter löst die unmittelbare Abschaltung des Motors aus.

2. Mikroschalter bei Zugangstüre zu Riemern verhindert das Einschalten der Maschine bei nicht ordnungsgemäß verschlossener Türe.

3. CE-konforme Fräferschutzhaube inkl. Werkstückniederhalter und Schutzblech schützt vor Verletzungen durch Materialrückschlag.

UNSACHGEMÄSSE VERWENDUNG

HOLZMANN Maschinen übernimmt grundsätzlich keinerlei Haftung für Schäden an Mensch und Maschine, die auf unsachge-

mäße Verwendung der Maschine zurückzuführen sind. Darunter fällt jede Verwendung welche nicht den Anforderungen der bestimmungsgemäßen Verwendung entspricht, insbesondere aber:

-unsachgemäße oder fahrlässige Montage, Inbetriebnahme, bzw. Anschluss an das elektrische Netz.

-Nichtbeachtung von Bedienungshinweisen

-Verwendung von nicht geeigneten Fräs-
werkzeugen

-nicht bestimmungsgemäßer Gebrauch

-sachfremde Betriebsbedingungen und Einsatzgebiet

-mangelnde bzw. unsachgemäße Wartung oder Pflege

-fahrlässige konstruktionsbedingte Überbeanspruchung. Insb. Mängel durch Nutzung, welche durch Belastungsniveau und Umfang als gewerblich einzustufen sind, bei Maschinen, die nach Bauart und Leistungsvermögen nicht für den durchgehenden gewerblichen Gebrauch konstruiert und bestimmt sind.

2. MASCHINENÜBERBLICK

Die FS 160L ist eine hochwertige Tischfräsmaschine zur Bearbeitung von Holzwerkstoffen, konzipiert für den anspruchsvollen Privatanwender als auch für den professionellen Manufaktureinsatz zur Bearbeitung von kleineren Werkstückkomponenten in kleineren bis mittleren Tischlereibetrieben.

GERÄTEBESCHREIBUNG (Abb. A)

1. Auszugsanschlag
2. Wartungstüre für Riemen& Motor
3. Arretierbolzen für Schiebetisch
4. Schalter/Stecker Kombi mit NOTAUS_Schalter
5. Spindlearretierhebel
6. Handrad SpindelhöhenEinstellung
7. Einzugsanschlag
8. Festziehhebel Anschlag

TECHNISCHE DATEN

Motor Leistung S1/S6	1.5kW/2.1kW
Netzspannung	230V bzw. 400V
Spindeldurchmesser	30mm
Spindelhub	110
Spindeldrehzahlen	1400/4000/ 6000/9000 U/Min
Tischöffnung	170mm
max. Werkzeug-Ø	
versenkbar	144mm
über Tisch	160mm
max. Werkzeughöhe	105mm
Absauganschluss Ø	100mm

Tischabmessungen	600x400mm
Tishhöhe	870mm
Schiebetisch	1000x220mm
Fräsanschlag (li/re)	350x125mm
Nettogewicht	93kg

3. MONTAGE

LIEFERUMFANG

Die Maschine wird vormontiert ausgeliefert. Prüfen Sie nach Erhalt der Maschine diese auf Transportschäden.

Sichtbare Transportschäden müssen bereits auf dem Frachtbrief gegenüber der ausliefernden Spedition geltend gemacht werden. Prüfen Sie bitte im Zuge des Auspackens der Maschine diese auf verdeckte Transportschäden - sollten Sie welche entdecken, melden Sie diese bitte umgehend Ihrem Holzmann Händler sowie der Spedition.

Spätere Reklamationen aus Transportschäden können nicht mehr geltend gemacht werden.

Prüfen Sie die Maschine auf vollständigen Lieferumfang:

Distanzringe	18
Einlageringe	2
Fräshaube komplett	1
Wechselspindel mit 12mm Aufnahme	1
Formatischiebetisch	1
Maschinenkörper	1

TRANSPORT

Transport und Heben der Maschine dürfen ausnahmslos nur durch Personen mit entsprechender Ausbildung und Erfahrung erfolgen!

Siehe Abb. B:

Zum Transport der Maschine in der Verpackung zum Arbeitsplatz verwenden Sie am besten einen Gabelstapler (D) bzw. Hubwagen (F)

Am Arbeitsplatz entfernen Sie die Verpackung und heben die Maschine auf den Arbeitsplatz. Während dem Heben der Maschine dürfen sich keine Dritte Personen im Gefahrenbereich aufhalten!

Die Maschine darf nur mit entsprechend geeigneten Hebevorrichtungen aus der Verpackung gehoben werden.

Bereiten Sie dazu einen Gabelstapler (D) oder eine manuell Hebevorrichtung (F) vor, diese sowie die Hebesaile (min. jeweils 2m lang) sollten min. für die Last der Maschine zugelassen sein.

Führen Sie zwei verwindungssteife Stangen unter die Maschine durch. Ziehen Sie die HebeseiLe jeweils links und rechts unter die Stangen durch und hängen Sie diese in den Kranhaken ein, bzw. führen Sie diese um die Gabeln des Gabelstaplers.

Heben Sie die Maschine etwas an und prüfen Sie, ob die Lastverteilung stabil ist.

ANSCHLUSS AN DIE ABSAUGANLAGE

Siehe Abb. C:

Die Maschine nur gemeinsam mit einer Absauganlage betreiben!

Die Absauganlage ist unmittelbar nach Einschalten der FS 160L einzuschalten.

Für eine ordnungsgemäße Absaugung benötigt die zu verwendende Absauganlage eine Absaugleistung von mind. 570m³/h sowie eine Absauggeschwindigkeit von 20m/s für Trockenholzspäne sowie 790m³/h Absaugleistung mit mind. Absauggeschwindigkeit 28m/s für Nassholzspäne.

Verwenden Sie flexible Absaugschläuche mit 100mm Durchmesser. Befestigen Sie den Absaugschlauch maschinenseitig mit einer Schelle an den Absauganschluss (A) an der Rückseite der Fräshaube.

Die Gesamtlauflänge des Anschlusses sollte 10m nicht überschreiten.

HOLZMANN-Maschinen bietet hochwertige flexible Absaugschläuche mit Metallspiralführung, Schellen sowie geeignete Absauganlagen an.

ELEKTRISCHER ANSCHLUSS

Die Eignungsprüfung des Speisestromnetzes für die Maschine sowie der elektrische Anschluss samt Prüfung der Erdung darf nur durch einen zertifizierten Elektriker erfolgen.

Bei 400V / 3Phasen / 50Hz Anschlüssen ist zusätzlich beim Einschalten der Maschine auf die richtige Laufrichtung zu achten! Sollte die Maschine in die falsche Laufrichtung laufen, sind die Phasen des zuführenden Stromkabels zu tauschen bzw. in der Steckdose ein Phasenwender um 180° zu drehen.

Stromzuleitungen müssen ausreichenden Querschnitt /min. 2,5mm² / aufweisen und sollten nicht länger als 10m sein.

4. BETRIEB

!

WICHTIG

Vor jeglichen Einstell- oder Prüfarbeiten schalten Sie die Maschine ab und warten, bis die Spindel still steht.

Für manche Umrüst- und Einstellarbeiten sollte zusätzlich der Netzstecker gezogen werden, um einem versehentlichen Einschalten der Maschine vorzubeugen.

SPINDELHÖHE EINSTELLEN

Siehe Abb. D:

Stellen Sie die Spindelhöhe durch drehen des Handrades ein. Lockern Sie vorher mit dem Hebel die Spindelachse.

Eine volle Umdrehung sind 2mm Höhenzustellung.

Nach Einstellung der Spindelhöhe ziehen Sie den Hebel wieder fest

SPINDELDREHZAHN ÄNDERN

Diese Maschine ist mit einem umlegbaren V-Riemenantriebssystem ausgestattet. Um die Spindeldrehzahl zu ändern, gehen Sie folgendermaßen vor:

- >> Trennen Sie die Maschine vom Stromnetz.
- >> Öffnen Sie die Wartungstüre

Siehe Abb. E:

- >> Lösen Sie den Fixierhebel (B)
- >> Mit dem Hebel (A) können Sie nun das Motoraggregat anheben und so den Riemen insoweit lockern, dass Sie ihn umlegen können.
- >> Spannen Sie den Riemen wieder und ziehen Sie den Fixierhebel (B) fest.
- >> Drehen Sie die Riemenscheibe um den Lauf des Riemens zu kontrollieren.
- >> Schließen Sie die Wartungstüre.

Achtung: wenn die Wartungstüre nicht vollends geschlossen ist, kann die Maschine nicht eingeschaltet werden.

MONTAGE DER FRÄSWERKZEUGE

Siehe Abb. F:

Verwenden Sie ausschließlich Fräswerkzeuge, welche für den Betrieb mit einer

Tischfräsmaschine mit max. Spindeldrehzahl 8500rpm geeignet sind, eine Bohrung von 30mm aufweisen sowie mit der Norm EN847-1:2005 konform sind.

Installieren Sie die Fräswerkzeuge so niedrig wie möglich.

Prüfen Sie, dass die Distanzringe (E) sauber sind und in einwandfreiem Zustand. Wählen Sie passend zu der Höhe des Fräswerkzeuges Distanzringe (E). Schließen Sie mit dem Distanzring ab, der innen einen Bolzen hat, sodass er zumindest 2mm über die Spindeloberkante steht. Legen Sie die Abschlusskappe (D) auf. Nun schrauben Sie das Innensechskantbolzengewinde ein und ziehen dieses auf die Ringe fest.

Prüfen Sie unmittelbar nach Montage den Freien Lauf des Fräswerkzeuges.

ANSCHLAG EINSTELLEN

Die Fräsansschläge sind voneinander unabhängig einstellbar. Stellen Sie für Profilfräsungen die Fräsansschläge exakt gleich ein. Wenn Sie die gesamte Werkstückseite bearbeiten, sollten Sie den Ausgangsfräsanschlag der Fräsabnahme entsprechend einstellen, sodass das Werkstück durchgehend geführt wird.

WECHSELSPINDEL MONTIEREN

Fixieren Sie die Frässpindel. Lösen und schrauben Sie das Innensechskantbolzengewinde aus dem Spindelinnengewinde heraus und entfernen Sie die Abschlusskappe (D). Nun können Sie mit einem 8mm Inbusschlüssel die Wechselfspindel von der Frässpindelaufnahme lösen. Entfernen Sie die Wechselfspindel und schrauben Sie die Wechselfspindel mit Schaftfräseraufnahme auf und fixieren Sie diese.

BEDIENHINWEISE

- >> Prüfen Sie vor dem Einschalten nochmals das Fräswerkzeug auf freien Lauf.
Prüfen Sie, ob die Spindelarretierung gelöst ist!
Prüfen Sie, ob die der Fixierhebel zur Spindelhöhenfixierung festgezogen ist.
- >> Schalten Sie die Maschine durch Drücken der grünen Taste 4 (Abb. A) ein.
- >> Vorsicht vor Materialrückschlag! Um

die Gefahr durch Materialrückschlag zu minimieren, stellen Sie den Niederhalter auf Höhe Werkstück + max. 2mm ein. Stellen Sie den Frässchutz auf Werkstückbreite + max. 5mm ein.

Führen Sie das Werkstück langsam und konstant zu.

Fräsen Sie nie (bis auf einige Spezialfälle, die jedoch Erfahrung des Anwenders voraussetzen) in Drehrichtung des Fräswerkzeuges zu.

5. WARTUNG



ACHTUNG

Ziehen Sie vor jeglichen Wartungs-, Instandhaltungs- und Reinigungsarbeiten den Netzstecker, um unbeabsichtigtes Anlaufen der Maschine zu verhindern.

Reinigen Sie die Maschine nach jeder Arbeitsschicht! Reinigen Sie v.a. den Arbeitstisch, die Fräsansschläge und den Gehrungsanschlag nach jedem Betrieb gründlich. Verwenden Sie zum Beseitigen von Holzspänen einen Spänebesen bzw. Druckluft.

Prüfen Sie in regelmäßigen Abständen:

Loose Schrauben und Verbindungen
Funktionstüchtigkeit des EIN/AUS Schalters.
Zustand der Sicherheitsvorrichtungen
Zustand der Werkzeuge

Schmierung:

Schützen Sie den Arbeitstisch gegen Rost, schmieren Sie ihn dafür monatlich mit einer dünnen Schicht Rostschutz auf Ölbasis ein.

Fetten Sie monatlich die Führungen des Schiebetisches ein.

Prüfen Sie zumindest monatlich den Zustand des Riemens. Verschlossene oder beschädigte Riemen sind sofort zu ersetzen.

Die Riemenscheiben und der Riemen sollten nicht dreckig werden oder schmierig, da ansonsten die Kraftübertragung beeinträchtigt wird und der Riemen unter Belastung auf der Riemenscheibe zum Rutschen anfängt.
Zu starkes Spannen der Riemen beschä-

digt den Antriebsmechanismus.
Riemenwechsel: Vorgehensweise wie bei Wechsel der Spindeldrehzahl.
Achten Sie stets darauf, den Riemen nicht zu überspannen. Ein überspannter Riemen verschleißt sehr schnell, überlastet den Motor und kann die Riemenscheibe beschädigen.

Defekte, unwuchte Riemenscheiben sind durch sehr schnellen Riemenverschleiß an den Kanten zu erkennen. In diesem Fall sind die Riemenscheiben samt Riemen zu wechseln.

6. FEHLERBEHEBUNG

Bei bestimmungsgemäßer Inbetriebnahme, Bedienung und Wartung sollten während des Betriebes keine Probleme auftauchen.

Stumpfe, defekte Fräsmesser sind eine häufige Ursache für Probleme bei Fräsergebnissen und erhitzt den Motor schnell. Bei erhöhter Vibration sind die häufigste Ursache ungewuchtete oder falsch montierte Fräsköpfe.

Problem:
Maschine läuft nicht an

Mögliche Ursache und Lösung:
1. Durchgebrannte Sicherung bzw. gefallener Schutzschalter - Ersetzen bzw. aktivieren.
2. defekte Stromleitung - Ersetzen
3. Ausschalter aktiviert - Wartungstüre ordnungsgemäß verschließen!

Problem:
Thermische Motorsicherung aktiviert sich nach kurzer Betriebszeit
1. Verlängerungs- bzw. Stromzuführkabel unterdimensioniert bzw. defekt - Ersetzen!
2. Motorüberlastung durch zu straff gespannten Riemen - Riemen Spannung anpassen
3. Motorüberlastung durch zu schnellen Werkstückvorschub - Maschine nicht überlasten, sondern im Rahmen ihrer Leistungsfähigkeit verwenden!
4. Motorüberlastung durch stumpfe Fräsmesser - Fräsmesser ersetzen
5. Bei 400V Motoren: Ein oder mehrere Phasen führen nicht genügend Leistung zu. Lassen Sie dies durch einen zertifizierten Elektriker prüfen!

Problem: Frässpindel kommt nicht auf volle Drehzahl
1. Unzureichende / Schwankende Strom-

versorgung - Kontaktieren Sie Ihr Stromversorgungsunternehmen.
2. Verlängerungskabel zu lang, zu geringer Querschnitt mm²
- Elektriker prüfen lassen

Problem: Unzureichende Fräsergebnisse
1. stumpfe Fräsmesser - Messer ersetzen
2. Dreck, Harz, etc. abgelagert auf Messerprofil - Reinigen (Achtung scharfe Kante!).
3. falsche Kombination aus Spindeldrehzahl, Vorschub, Frästiefe; Die richtige Wahl ist situationsabhängig und ein Erfahrungswert

Problem: Maschine vibriert
1. unwuchter Fräskopf - Ersetzen
2. Maschine steht auf unebenen oder leicht schwingenden Boden.
Maschine muss auf ebenen, harten Boden stehen
3. defekter Riemen - Ersetzen
4. Riemen falsch gespannt - Riemen Spannung korrigieren
5. beschädigte Riemenscheibe - tritt oft nach Überspannung des Riemens auf - Riemenscheibe mitsamt Riemen tauschen.

Problem: SpindelhöhenEinstellung sehr schwergängig - Holzstaub und Schmutz haben sich im TischhöhenEinstellungsgetriebe abgelagert - Reinigen Sie diesen

Problem: Kante splittert ab bei Fräsen quer zur Holzfasern.
1. Die erste Fräsung vorsichtig gegen Spindeldrehrichtung - die zweite Fräsung mit minimaler Fräsabnahme mit Spindeldrehrichtung.

Problem: ungleichmäßige Frästiefe
1. variabler Druck sowie ungenaue Fräsanschlageinstellungen Fräsanschläge genau einstellen und Werkstück mit konstantem Druck zu führen

Problem: versengtes Holz
1. zu tiefer Frässchnitt pro Durchgang - besonders bei Hartholz sollten Sie mehrere kleine Fräsdurchgänge machen.

7. GARANTIE & SERVICE

Konsultieren Sie bei etwaigen Problemen mit Ihrer Maschine bitte zuerst den Abschnitt Fehlerbehebung und fragen Sie Ihren Holzmann Händler. Erfahrungsgemäß lösen sich die meisten Probleme bereits dadurch.

GARANTIE (Stand 09.03.2011)

Mängelhaftungsansprüche des Käufers aus dem Kaufvertrag gegenüber dem Verkäufer (Holzmann Vertriebspartner) sowie gesetzliche Gewährleistungsrechte des jeweiligen Landes werden durch diese Garantieerklärung nicht berührt.

Für diese Maschine leisten wir Garantie gemäß folgenden Bedingungen:

A) Die Garantie umfasst die unentgeltliche Beseitigung aller Mängel an der Maschine, nach Maßgabe der nachfolgenden Regelungen (B-G), welche die ordnungsgemäße Funktion der Maschine beeinträchtigen und nachweislich auf Material- oder Herstellungsfehler beruhen.

B) Die Garantiezeit beträgt 12 Monate, bei gewerblicher Nutzung 6 Monate, gültig ab Lieferung der Maschine an den Erstendabnehmer. Als Nachweis ist der Original-Ablieferbeleg maßgeblich, bei Selbstabholung der Maschine der Original Kaufbeleg.

C) Zur Anmeldung von Garantieansprüchen kontaktieren Sie bitte den HOLZMANN Vertriebspartner, von dem Sie die Maschine erworben haben, mit folgenden Unterlagen:

>> ausgefülltes Serviceformular mit Fehlerbericht mit Kaufbeleg und/oder Ablieferbeleg

>> Bei Anforderung von Ersatzteilen unter Garantie fügen Sie bitte eine Kopie der Ersatzteilzeichnung -mit den benötigten Ersatzteilen markiert - bei.

D) Die Garantieabwicklung und der Ort der Garantieverfüllung erfolgt nach Maßgabe der HOLZMANN GmbH. Leicht zu behebbende Mängel werden durch unsere Vertriebspartner beseitigt, bei komplexeren Defekten behalten wir uns eine Begutachtung in 4707 Haslach, Österreich vor. Sofern Sie nicht über Ihren Händler explizit ein zusätzlicher Vor-Ort Servicevertrag mit HOLZMANN-Maschinen abgeschlossen haben, gilt als Erfüllungsort der Garantieleistung stets der HOLZMANN-MASCHINEN Firmensitz in 4707 Haslach, Österreich. Die im Rahmen einer Garantiebearbeitung anfallenden allfälligen Transportkosten von und zum Firmensitz sind in dieser Hersteller-Garantie nicht abgedeckt.

E) Garantieausschluss bei Mängeln:

-an Maschinenteilen, welche gebrauchsbedingten oder sonstigen natürlichen Verschleiß unterliegen, sowie Mängeln an der Maschine, die auf einen gebrauchsbedingten oder sonstigen natürlichen Verschleiß zurückzuführen sind.

-die auf unsachgemäße oder fahrlässige Montage, Inbetriebnahme, bzw. Anschluss an das elektrische Netz zurückzuführen sind.

-die auf Nichtbeachtung von Bedienungshinweisen, nicht bestimmungsgemäßen Gebrauch, atypischen Umweltbedingungen, Fremdeinwirkung, sachfremden Einsatzgebiet, mangelnde bzw. unsachgemäße Wartung oder Pflege zurückzuführen sind.

-die durch die Verwendung sowie Einbau von Zubehör-, Ergänzungs- oder Ersatzteilen verursacht wurden, die keine Original HOLZMANN Ersatzteile sind.

-die geringfügige Abweichungen vom Soll-Zustand darstellen, welche für den Wert oder die Gebrauchstauglichkeit der Maschine unerheblich sind.

-die auf fahrlässige konstruktionsbedingte Überbeanspruchung zurückzuführen sind. Insbesondere bei Mängeln durch Nutzung, welche durch Belastungsniveau und Umfang als gewerblich einzustufen sind, bei Maschinen, die nach Bauart und Leistungsvermögen nicht für den gewerblichen Gebrauch konstruiert und bestimmt sind.

F) Im Rahmen dieser Garantie sind weitere Ansprüche des Käufers über die hier ausdrücklich genannten Garantieleistungen hinaus ausgeschlossen.

G) Diese Hersteller-Garantie wird freiwillig übernommen. Garantieleistungen bewirken daher keine Verlängerung der Garantiefrist und setzen auch keine neue Frist, auch nicht für Ersatzteile, in Gang.

SERVICE

Nach Ablauf der Garantiezeit können Instandsetzungs- und Reparaturarbeiten von entsprechend geeigneten Fachfirmen durchgeführt werden. Es steht Ihnen auch die HOLZMANN- Maschinen GmbH weiterhin gerne mit Service und Reparatur zur Seite. Stellen Sie in diesem Fall eine unverbindliche Kostenanfrage, unter Angabe der Informationen siehe C) an unseren Kundendienst oder senden Sie uns Ihre Anfrage per umseitig beiliegendem Formular ein. Mail: service@holzmann-maschinen.at FAX: +43 (0) 7248 61116 6

1. SÉCURITÉ

LIRE LE MANUEL

Lire et comprendre le mode d'emploi et les étiquettes apposées sur la machine. Apprenez les applications et les limites de la machine, ainsi que les dangers potentiels spécifiques de celui-ci.



ÉVITER LES SITUATIONS DANGEREUSES

Gardez la zone de travail et le sol propre et exempt d'huile et d'autres matériaux!

Assurez-vous que la zone de travail est suffisamment éclairée!

Ne pas utiliser la machine à l'extérieur!

L'utilisation de la machine est interdite si vous êtes fatigué, si vous n'êtes pas concentré, et sous l'influence de drogues, d'alcool et autres drogues. Réduire les sources de distraction dans la zone de travail. ATTENTION: La routine conduit à une attention insuffisante!



L'OPÉRATEUR

La machine peut être utilisée que par des adultes formés.

Les personnes non autorisées, notamment les enfants, doit être tenus à l'écart de la machine!



VÊTEMENT

Lorsque vous travaillez avec la machine ne porte pas de vêtements amples, cheveux longs ou des bijoux tels que colliers, etc.

Les éléments individuels peuvent être couplés à des pièces mobiles de la machine et provoquer de graves dommages.



EQUIPEMENT DE SÉCURITÉ

Porter un équipement de sécurité approprié lorsque vous travaillez avec des machines (des lunettes de sécurité, chaussures de sécurité ...)!



DANGER DE LA POUSSIÈRE DE BOIS

Ne jamais utiliser la machine sans une connexion correcte à un système d'aspiration. Quand on travaille avec des matériaux traités également porter un masque respirateur.

Les poussières de bois peuvent contenir des ingrédients chimiques toxiques et endommager votre système respiratoire.



RACCORDEMENT ÉLECTRIQUE

Assurez-vous que l'alimentation répond aux besoins du moteur - voir plaque d'identification.

Contrôles électriques et le câblage de la machine peut uniquement être effectué par un électricien qualifié.

NO toucher les pièces conducteurs d'électricité!



DEBRANCHEZ L'ALIMENTATION

Avant tout changement de nettoyage, de contrôle, d'entretien ou d'outils, éteindre la machine et débrancher l'alimentation électrique pour éviter tout démarrage accidentel de la machine.

NE JAMAIS FORCER LA MACHINE

Elle fonctionnera mieux si est utilisée dans son taux de production à laquelle a été conçu.
Forcer la machine réduit sa durée de vie, peut causer des dommages à votre machine et est un risque de sécurité.



NE PAS PERDRE VOTRE EQUILIBRE

Maintenir l'équilibre et la position en tout temps.

SÉCURISÉ DES PETITES PIÈCES

Lors du traitement de petites pièces, fixer les avec un dispositif approprié tel qu'un mors, une pince, pour éviter les accidents.
Ne pas usiner de petites pièces à main.
Gardez vos mains loin de la zone de danger, toujours guide la pièce ou l'outil de façon sûre.

MAINTENIR LES OUTILS EN PARFAIT ÉTAT

Veillez à maintenir ses outils affûtés en tout temps et dans les meilleures conditions de travail.
Outils défectueux ou non affûtés représentent un risque de sécurité.

PROTECTIONS DE SÉCURITÉ, LES COMPOSANTS ET LES SIGNAUX

Assurez-vous que tous les protecteurs et les dispositifs de sécurité sur votre machine exécutant en bon état. Protections de sécurité endommagées doivent être réparées avant d'utiliser la machine à nouveau.
Vérifier le fonctionnement des composants de sécurité de la machine, comme l'interrupteur d'urgence et le disjoncteur régulièrement.
L'équipement de sécurité défectueux doit être remplacé immédiatement.
Vérifiez l'état de la signalisation de sécurité et des plaques de fonctionnement de la machine. Remplacer manquant, ou ne sont pas visibles.



NE LAISSEZ JAMAIS LA MACHINE SANS SURVEILLANCE PENDANT L'USAGE

Avant de laisser la machine, éteignez et attendre que le moteur et toutes les pièces en rotation soient arrêtés.

RETIRER TOUS LES OUTILS QUI NE PAS UTILISER

Habituez-vous pour vérifier qu'aucun des outils, clés, etc. dans la machine/outil avant de commencer.
Retirez tous les accessoires et les outils de la machine avant de l'allumer.

RÈGLES DE SÉCURITÉ PARTICULIÈRES DE LA TOUPIE

Lorsque vous installez une nouvelle lame, garder le segment inutilisée de la fraise sous la table.

Ajuster les guides le plus proche possible à la lame.

Après l'installation d'une nouvelle lame, mettez toujours l'arbre - avec la machine débranché - par la main pour **vérifier que la lame se déplace librement** et ne touche aucune partie de la machine.

Toujours s'assurer que la lame, la guide, la hauteur de l'arbre et l'inclinaison et tous les composants réglables sont fixés et serrés avant l'opération.

Ne pas oublier de déverrouiller l'arbre, après l'installation d'une nouvelle fraise.

N'utiliser que des fraises qui sont certifiées et répondent aux exigences techniques de la machine en www.holzmann-maschinen.at comme diamètre max., diamètre de l'arbre, et en particulier vérifier si l'outil est conçu pour la vitesse de la toupie.

Toujours alimenter la pièce à la fraise dans la direction opposée à la rotation de la fraise.

Les mains ne doivent pas être plus proches de 12 pouces (30 cm) à la fraise.

Ne jamais toucher directement la fraise. Ne jamais atteindre derrière de la fraise pour obtenir la pièce de travail.

Attention aux rebonds de matériel! Le danger de rebond est plus grande lorsque: la pièce a nœuds, trous ou de débris. Pièces déformés ou irrégulières doivent être passés par la dégauchisseuse avant l'usinage ou le profilage avec la toupie.

Ne forcez jamais une pièce à travers la toupie de sentir une résistance - haut risque de rebond! Laissez la fraise faire le travail et réduire la vitesse.

Gardez les lames affûtées uniformément. Fraises émoussées ou irrégulières augmenter considérablement la probabilité d'un rebond.

Ne jamais essayer d'enlever trop de matière en un seul passage. Vous pouvez profiter de meilleures conditions de travail et un niveau de sécurité supérieur en divisant le travail en plusieurs passes.

UTILISATION CORRECTE

La machine est conçue pour le profilage et le fraisage directement à partir du bois avec différentes fraises. L'équipement n'est pas conçu pour moule ainsi que des pièces courbes.

Le lieu de travail doit avoir: Conditions d'éclairage pour éviter les ombres ou fatigue oculaire.

L'accès à un système d'aspiration approprié!

Un sol propre, à niveau, résistant aux vibrations!

Un espace suffisant autour de la machine pour manipuler et l'alimentation de la matière.

Un circuit d'alimentation électrique appropriée, compatible.

Humidité: max. 90% pour max. 25° C
max. 70% pour max. 40° C

La machine n'est pas destinée à une utilisation en extérieur.

La machine ne doit pas travailler dans un milieu de risque d'explosion.

RISQUES RESIDUELS

Travailler avec une toupie contient toujours un certain risque qui ne peut pas être complètement éliminés. Ceci est une courte liste indiquant certains des risques résiduels plus dangereux:

Risque de blessure en cas de rebond de la pièce pendant les opérations.

Risque de blessure par couteaux rotatifs.

Risque de blessures par contact avec des composants électriques sous tension.

Ces risques peuvent être minimisés si toutes les normes de sécurité sont appliquées, la machine dispose des services et le bon entretien et l'équipement destiné à être et est utilisé par personnel qualifié.

UTILISATION INCORRECTE DE LA MACHINE

Toute utilisation non conforme aux normes de sécurité, les exigences du lieu de travail, les normes d'entretien ou des règles de fonctionnement décrites dans ce manuel.

HOLZMANN Maschinen n'est pas responsable des dommages causés à la machine et de blessures qui sont la conséquence directe ou indirecte de l'utilisation inappropriée de la machine.

2. CARACTERISTIQUES

La FS160L est une toupie de qualité pour l'utilisateur particulier.

COMPOSANTS (Abb. A)

1. Guide de sortie d'alimentation
2. Porte du compartiment de moteur
3. Verrouillage du chariot
4. Interrupteur ON / OFF / Arrêt d'urgence
5. Verrouillage de rotation de l'arbre
6. Volant de réglage de hauteur d'arbre
7. Guide d'alimentation
8. Boulon de fixation de guide

FICHE TECHNIQUES

Puissance du moteur S1/S6	1.5kW/2.1kW
Voltage	230V ou 400V
Diamètre de l'arbre	30mm
Course verticale de l'arbre	110mm
Vitesses	1400/4000/ 6000/9000 U/Min
Ø ouverture table	170mm
max. Ø outils	
sous la table	144mm
sur la table	160mm
max. haute des outils	105mm
Ø bouche d'aspiration	100mm
table	600x400mm
haute de table	870mm
table de travail	1000x220mm
butée (gau/dro)	350x125mm
poids net	93kg

3. ASSEMBLAGE

LIVRAISON DE LA MACHINE

La machine est livrée partiellement démontée.

Lors du déballage de la machine, vérifier: dommages pendant le transport

S'il vous plaît rapport des dommages de transport immédiatement au transporteur qui remet la machine, et faire une réclamation de transport.

Dommages de transport cachés doivent être signalés immédiatement après la découverte, mais ne plus de 48 heures après la livraison de la machine.

Lors du déballage vérifier le contenu de la livraison:

Entretoises: 18 unités

Anneaux de la table: 2 unités

Capot de protection complète: 1 unité

Broche interchangeable 12mm: 1 unité

Chariot: 1 unité

Corps de la machine: 1 unité

TRANSPORT / DECHARGEMENT

Pendant le transport ou la manipulation de la machine, être prudent et laisser cette activité soit effectuée par un personnel qualifié, spécialement formé pour ce type d'activité.

Alors que de la machine est en cours de chargement ou de déchargement, assurez-vous qu'aucune personne ou objet serait écrasé par la machine.

Ne pas accéder à la zone sous la machine levée par une grue ou un chariot élévateur!

Voir figure B :

La machine ou des parties de celui-ci peuvent être levée que par un dispositif de levage autorisés, avec la capacité vérifiée.

Préparer un chariot élévateur (D) ou un chariot manuel (F) avec une capacité suffisante,

- Mettre les fourches (G) en dessous de la machine, comme indiqué dans l'image.

Lors de l'utilisation d'une grue (E) ou un équipement de levage similaire, procéder comme suit:

- Préparer quatre courroies de levage (H) ou des câbles d'acier d'au moins 2 m de long avec une capacité suffisante,

- Fixer les courroies sur le crochet de la grue avec la capacité nécessaire,

- Placez l'autre extrémité des courroies sur les barres de levage placés sous la machine (les barres ne font pas partie de la livraison),

- Après avoir levé une petite la machine vérifier la stabilité de la machine suspendu des cour-roies,

- Soulever la machine avec précaution et lentement, puis de le déplacer sans aucun mouvement brusque vers l'endroit sélectionné.

RACCORDEMENT DU SYSTEME D'ASPIRATION

Voir figure C:

Travailler avec la machine uniquement avec le système d'aspiration connecté et en marche!

Pour le bon fonctionnement de la machine, vous avez besoin d'une équipe d'aspiration avec une capacité d'aspiration de d'au moins 570m³ / h et une vitesse minimale de l'air dans les tuyaux égal à 20m/sec pour les particules sèches et 790m³ / h et la vitesse minimale de l'air dans les tuyaux égal à 28m/sec pour les particules mouillées.

Démarrer la machine et l'aspirateur dans

le même temps!

Utilisez des tuyaux d'aspiration avec un diamètre de 100mm. Le tube d'aspiration est connecté à la bouche d'aspiration dont l'emplacement est:

Pour la fraiseuse, le tube d'aspiration est placé à la sortie de la couverture de la toupie, qui est également le connecteur d'aspiration (A). Le diamètre du tuyau est de 100mm.

RACCORDEMENT ELECTRIQUE

Un câble électrique endommagé doit être remplacé immédiatement par un spécialiste compétent

Fonctionnement avec des câbles endommagés est dangereux pour la vie et il est par conséquent interdit!

Avant de mettre la machine en marche s'assurer que le voltage et la fréquence spécifiée sur la plaque de la machine est ajustée aux valeurs du réseau qui est connecté.

Protection contre les surtensions doivent être fournies par l'utilisateur final.

Avant ajustements et changement d'outil et avant tout ajustement et des travaux d'entretien, toujours éteindre et débrancher l'alimentation électrique

Cet équipement doit être mis à la terre Vérifiez et assurez-vous que la sortie de votre lieu de travail est mis à la terre.

Si vous n'avez pas l'expertise et l'expérience, laissez-le raccordement électrique être examiné par un électricien qualifié.

4. FONCTIONNEMENT

! ATTENTION

Eteignez la machine avec le bouton rouge sur l'interrupteur principal et attendre jusqu'à ce que la fraise est complètement arrêté avant de faire des ajustements ou des modifications. Certains ajustements ont également besoin de débrancher la machine pour éviter le danger que la machine démarre sans le vouloir.

RÉGLAGE DE HAUTEUR D'ARBRE

Voir figure D:

Ajustez la hauteur de l'arbre avec le volant sur l'arrière droit de la base et le fixer avec la vis.

Un tour complet est 2 mm.

CHANGEMENT DE VITESSE D'ARBRE

Voir figure E:

Pour changer la vitesse de l'arbre, desserrer le levier de verrouillage (A) et tournez l'assemblage du moteur à l'essieu. Changez la position de la courroie à la vitesse désirée et serrer la vis (B).

INSTALLATION DE L'OUTIL DE FRAISAGE

Voir figure F:

N'utilisez que des outils de fraisage que sont conçus pour alimentation manuel et peuvent être tenue fermement et solidement. Seuls les outils conformes à EN847-1: 2005 et marqué doit être utilisées.

Avant le montage de l'outil (A) s'assurer que les entretoises (E) sont propres et en bon état. Assurez-vous que le réglage est correct. La fraise est fixée et attaché par un boulon (C) à tra-vers l'axe anneau (D) et les entretoises (E) sur l'arbre de la toupie.

Ajuster le trou dans la table selon le diamètre de la fraise (A) par les anneaux sur la table (B).

Lorsque vous installez des outils de fraisage, le couvercle de protection doit être ouvert. Des-serrez les deux boulons de verrouillage pour ouvrir le couvercle. Après l'installation, fermez le couvercle et verrouillez par les boulons de blocage.

Attention: Toujours fermer le couvercle de protection et de verrouiller solidement, après les outils ont été installés.

Toujours installer les outils de coupe aussi

bas que possible!
Habituez-vous de vérifier immédiatement après l'installation des outils, la libre rotation de la fraise. Tournez à main, ne doit pas toucher avec la guide ou le couvercle à tout moment.

RÉGLAGE DE LA GUIDE

Le guide est un ensemble de deux pièces. Chaque partie de la guide est réglable indépendamment pour compenser le coupe de différentes épaisseurs et applications spéciaux de fraisage.

Si vous supprimez tous les bords d'une pièce ne doit pas mettre les deux guides en ligne, mais placer le guide de sortie avec plusieurs millimètres sous la coupe de supprimer la pièce.

ENSEMBLE DE L'ARBRE INTERCHANGEABLE

Retirer l'arbre original, avec le verrouillage d'arbre et desserrer l'écrou. Installer l'arbre inter-changeable. Fixez l'arbre à nouveau!

CONSEILS D'UTILISATION

- >> Avant de démarrer la machine, vérifier la distance entre l'outil et la table, ainsi que le guide. Vérifiez tous les leviers et les boutons d'ajustement qui sont serré.
- >> Démarrer la machine en appuyant sur le bouton vert 4 (voir image A).
- >> Attention aux rebonds de matériel! Pour éviter que le matériel sorte vers le haut, ajuster le rail de la guide à la hauteur de la pièce + max. 5mm.

5. MAINTENANCE

! ATTENTION

Avant de commencer tout travail de réparation couper l'alimentation électrique de la machine !

- >> Inspection visuelle de la machine, des pièces de la machine, le câble d'alimentation, des outils de coupe pour les dommages.

Nettoyer la machine régulièrement après chaque opération! Nettoyez en particulier la table, les faces des guides et le guide d'onglet.

Ne pas nettoyez les copeaux de bois à

main mais plutôt d'utiliser une brosse appropriée et / ou à air comprimé.

Vérifiez régulièrement:

- Boulons et les connexions desserrés?
- Fonctionne de interrupteur ON/ OFF?
- Les composants de sécurité sont en bon état?
- Les outils sont affûtés?

Lubrification:

Pour protéger la table contre la corrosion par l'application de l'huile légère régulièrement.

Ajouter un peu de graisse dans les rails du chariot.

Vérifiez chaque mois l'état de la courroie en V. Vérifiez les fissures ou les dommages.

Éviter la courroie en V et les poulies de être sales ou grasses - ce qui pourrait provoquer le glissement de la courroie lors du fonctionnement.

Vous devez remplacer au moins une fois par année la courroie en V.

6. DEPANNAGE

Aucune défaillance ne se produit pendant que la machine est utilisée correctement et l'entre-tien est fait correctement. Si le tuyau est bloqué avec des copeaux de bois, éteindre la machine avant de résoudre la panne. Si une pièce est bloquée, éteignez immédiatement la machine!

Une lame émoussée provoque souvent le moteur électrique à surchauffer. Si la machine vibre de manière excessive, vérifiez sa configuration et l'assemblage, éventuellement la fixation et l'équilibre des outils utilisés aussi.

Défaut:

La machine ne démarre pas

Cause possible et solution:

1. Le fusible a sauté ou la protection thermique.
Remplacez le fusible et / ou réarmement du protecteur thermique.
2. Câble endommagé - remplacez-le.
3. Micro interrupteur activé- Vérifier si la porte d'accès pour changer la courroie est correctement fermée.

Défaut:

Surcharge fréquemment.

1. Câble de rallonge, câble d'alimentation n'est pas adéquat. - Remplacer!
2. La vitesse d'avancement trop rapide pour le matériel - Réduire la vitesse d'alimentation, ajuster les performances la vi-

tesse de la machine.

3. Fraise émoussée - Remplacez les lames de la fraise, utilisez uniquement des lames affûtées.

4. Pour les moteurs 400V: Les phases peuvent être modifiées ou le moteur ne reçoit pas le pouvoir par une phase. - Que un électricien vérifie la fiche, la prise et le câble

Défaut: La fraise n'atteint pas à pleine vitesse.

1. Insuffisante alimentation / énergétique source oscillante

- Contactez votre distributeur d'électricité
2. Câble de rallonge trop long / mm² trop petit

- Laissez vérifiée et réglée par un électricien qualifié.

Défaut: Les coupes ne sont pas satisfaisants

1. Les lames émoussées - Remplacez les lames

2. La saleté, la gomme, la résine sur le bord de la lame - Nettoyer, supprimer.

3. Combinaison incorrecte de la vitesse d'avance, la lame et vitesse de l'arbre.

Défaut: La machine vibre

1. Dommages sur les lames - Remplacer

2. La machine est sur une surface irrégulière

La base doit être fermement à niveau, en sol dur, sans vibrations. Fixez la machine au sol pour réduire les vibrations.

3. Courroie en V défectueuse - Remplacer

4. Mal tendue courroie en V - tensionner correctement (pas trop, et pas lâche)

5. Poulie pliée / endommagée - peut se produire si la courroie est trop serrée - Remplacer la poulie.

Défaut: L'arbre ne s'élève pas librement.

Sciure ou de saleté sur mécanisme de levage -

Nettoyer le mécanisme de levage.

Défaut: Le bord se esquille dans les coupes transversales

1. Technique de coupe - faire la coupe transversale première, puis finir avec la coupe dans le sens des fibres + aide le finale de coupe avec des blocs de copeaux de bois.

Défaut: Zones inégales sur le bord de la pièce.

1. Pression variable appliquée par l'opérateur sur la pièce pendant l'usinage - faire passer avec une pression constante, régler les guides correctement.

Défaut: La profondeur de coupe n'est pas

uniforme.

1. Mauvais alignement du guide - aligner le guide de sortie.

2. Pression latérale sur la pièce n'est pas uniforme

- Passez la pièce avec une pression constante contre le guide.

Problème: Brûlures dans la pièce.

1. Couper trop profond pour une passe - en particulier pour les bois durs, faire des coupes légères et d'atteindre la profondeur désirée avec de multiples passes. Ne forcez pas le travail, alimenter un peu plus lentement et régulièrement.

7 GARANTIE ET SERVICE

S'il vous plaît voir notre section dépannage pour la solution initiale de problèmes. N'hésitez pas à contacter votre revendeur ou notre service à la clientèle HOLZMANN. Les réclamations de garantie fondées sur son contrat d'achat avec votre revendeur Holzmann, y compris leurs droits légaux ne sont pas affectées par cette déclaration de garantie.

CONDITIONS DE GARANTIE (applicable à partir le 9 Mars 2011)

HOLZMANN-MASCHINEN donne la garantie conformément aux conditions suivantes:

A) La garantie couvre les défauts de fabrication dans l'outil / machine sans frais pour l'utilisateur, à condition que on peut vérifier positivement l'échec a été causé par des défauts dans les matériaux ou de fabrication.

B) La période de garantie est de 12 mois, qui est réduit à 6 mois pour les outils / machines qui ont une utilisation industrielle. La période de garantie commence à partir du moment on acquiert un nouvel outil / machine pour l'utilisateur final. La date de début est la date de réception livraison originale ou de la facture en cas d'enlèvement par le client.

C) S'il vous plaît présenter votre demande de garantie à votre revendeur où vous avez acheté l'outil / machine HOLZMANN avec les informations suivantes:

>> Facture de vente originale et / ou reçu de livraison.

>> Formulaire de Service (voir la section du manuel) rempli, avec un rapport clair sur les défauts.

>> Pour commander des pièces: une copie de la vue éclatée respective des parties vous avez besoin, marqué clairement et sans ambiguïté.

D) La procédure et le lieu de garantie d'exécution est déterminé à la discrétion de Holzmann, et selon le revendeur HOLZMANN. Si aucun des services techniques agréés, ne peut réaliser in situ l'intervention, le lieu d'exécution est principalement le Service Center HOLZMANN à Haslach, en Autriche.

Les frais de transport pour les expéditions vers et à partir de notre centre de service ne sont pas inclus dans cette garantie.

E) La garantie ne comprend pas les éléments suivants:

- Pièces d'utilisation / d'usure comme les courroies, les outils fournis, etc., sauf que un dom-mage initial que doit être réclamé immédiatement après réception et vérification de la machine.

- Défauts dans l'outil / machine causé par la violation des instructions, un montage incorrect, alimentation insuffisante, utilisation impropre, toute altération des conditions environnementales, les conditions de fonctionnement inadéquat, surcharge ou manque d'entretien ou de maintenance.

- Les dommages causés par les manipulations, modifications, ajouts faits à la machine.

- Défauts causés par l'utilisation d'accessoires, de composants ou de pièces de rechange qui ne sont pas pièces originales Holzmann.

- De légers écarts ou des changements mineurs dans l'apparition de l'outil / machine, qui n'affectent pas la fonctionnalité de la qualité spécifiée ou la valeur de celui-ci.

- Défauts résultant de l'utilisation commerciale des outils / machines - basé sur sa construction et son puissance - ne sont pas conçues et construites pour être utilisé pour de charge continu industriel / commercial.

- Les réclamations autres que le droit de corriger les défauts de l'outil nommé dans ces conditions de garantie ne sont pas couverts par notre garantie.

- Cette garantie est volontaire. Par conséquent, les services fournis par la garantie n'étend pas ou renouvelle la période de garantie de l'outil ou de la pièce remplacé.

DISPONIBILITÉ DU SERVICE ET DE PIÈCES DÉTACHÉES

Après l'expiration de la garantie, les services techniques peuvent effectuer des travaux d'entretien et les réparations nécessaires.

Nous restons également à votre service, avec les pièces de rechange et / ou le service de la machine. Envoyez-nous votre demande de budget pour les pièces détachées / service de réparation, en présentant le Formulaire de Service disponible dans la section finale de ce manuel et l'envoyer à:

E-mail: service@holzmann-maschinen.at ou

Fax a`l +43 116 61 7248 6

1. SEGURIDAD

LEA EL MANUAL

Lea y entienda el manual de instrucciones y las etiquetas colocadas a la máquina. Aprenda las aplicaciones y limitaciones de la máquina, así como los peligros potenciales específicos de la misma.



EVITAR LAS SITUACIONES PELIGROSAS

¡Mantenga el área de trabajo y el suelo limpio y libre de aceite y otros materiales!

¡Asegurar que el área de trabajo está suficientemente iluminada!

¡No utilice la máquina en el exterior!

El uso de la máquina está prohibido si se encuentra cansado, si no está concentrado, y si está bajo la influencia de medicamentos, alcohol y otras drogas. Reduzca las fuentes de distracción en la zona de trabajo. ATENCIÓN: ¡La rutina lleva a una atención insuficiente!



OPERARIO

La máquina sólo puede ser utilizada por personal capacitado y mayor de edad.

¡Personas no autorizadas, especialmente los niños, se deben mantener alejados de la máquina!



VESTIMENTA

Cuando trabaje con la máquina no lleve ropa suelta, el pelo largo suelto o joyas tales como collares etc.

Los objetos sueltos pueden engancharse a las partes móviles de la máquina y causar serios daños.



EQUIPO DE SEGURIDAD

Use ropa y dispositivos de seguridad adecuados cuando trabaje con la máquina (gafas de seguridad, protectores de oídos)!



PELIGRO POR EL POLVO DE MADERA

Nunca use la máquina sin una conexión adecuada a un sistema de aspiración. Cuando se trabaja con materiales tratados, además, lleve una mascarilla de respiración.

El polvo de madera puede contener ingredientes químicos tóxicos y dañar su sistema respiratorio.



CONEXIÓN ELÉCTRICA

Asegúrese que la corriente de alimentación cumple con los requisitos del motor - ver la placa de especificaciones.

Los controles eléctricos y la instalación eléctrica de la máquina sólo pueden ser realizados por un electricista cualificado.

¡NO toque las piezas conductoras de electricidad de la máquina!



DESCONECTAR DE LA FUENTE DE ALIMENTACIÓN

Antes de cualquier operación de limpieza, control, mantenimiento o cambio de herramientas, apague la máquina y desconéctela de la fuente de alimentación con el fin de evitar un arranque

accidental de la máquina.

NUNCA FUERCE LA MÁQUINA

Hará mejor el trabajo si se utiliza en su tasa de producción a la cual fue diseñada.

Forzar la máquina reduce su vida útil, puede provocar defectos en la máquina y supone un riesgo de seguridad.

NO PIERDA EL EQUILIBRIO

Mantener el equilibrio y la posición en todo momento.

ASEGURAR LAS PIEZAS PEQUEÑAS

Al procesar piezas de trabajo pequeñas, fijarlas con un dispositivo adecuado como una mordaza, un prensor, para evitar accidentes.

No fijar o alimentar piezas de trabajo pequeñas a mano.

Mantenga sus manos lejos de la zona peligrosa, siempre guiar la pieza o herramienta con seguridad.

MANTENER LAS HERRAMIENTAS EN BUEN ESTADO

Asegúrese de mantener sus herramientas de trabajo siempre afiladas y en las mejores condiciones de trabajo.

Herramientas defectuosas o no afiladas representan un riesgo para la seguridad.

MANTENER LAS PROTECCIONES DE SEGURIDAD, LOS COMPONENTES Y SEÑALES

Asegúrese que todas las protecciones y dispositivos de seguridad de su equipo funcionan en buenas condiciones. Las protecciones de seguridad dañadas deberán ser reparadas antes de usar la máquina de nuevo.

Comprobar el funcionamiento de los componentes de seguridad de la máquina como el interruptor de emergencia y disyuntores regularmente.

Los componentes de seguridad defectuosos tienen que ser reemplazados de inmediato.

Compruebe el estado de las señales de seguridad y las placas de operación en su máquina. Reemplazar los que falten o si no son legibles.

NUNCA DEJE DESATENDIDA LA MÁQUINA DURANTE EL USO

Antes de dejar la máquina, apáguela y espere hasta que el motor y todas las piezas giratorias se paran.

RETIRAR TODAS LAS HERRAMIENTAS QUE NO USA

Acostúmbrase de comprobar que no haya herramientas, llaves, etc. en la máquina/herramienta antes de arrancar la máquina.

Retire todos los accesorios y herramientas de la máquina antes de encenderla.



REGLAS DE SEGURIDAD ESPECÍFICAS DE LA TUPÍ

Cuando se instala una nueva cuchilla, mantenga el segmento no utilizado de la fresa por debajo de la mesa.

Ajuste las guías lo más cerca posible a la cuchilla.

Después de instalar una nueva cuchilla, siempre gire el eje - con la máquina desenchufada - a mano para comprobar que la cuchilla se mueve libremente y no toca ninguna pieza de la máquina.

Asegúrese siempre de que la cuchilla, la guía, la altura del eje y la inclinación y todos los componentes ajustables están fijos y bien apretados antes de la operación.

No se olvide de desbloquear el eje después de instalar una nueva cuchilla.

Sólo use fresas que estén certificadas y cumplen con los requisitos técnicos de la máquina en www.holzmann-maschinen.at, como diámetro máx., diámetro del eje y, especialmente, verificar si la fresa está diseñada para las revoluciones del cabezal de la tupí.

Siempre alimentar la pieza de trabajo a la fresa en dirección opuesta a la rotación de la fresa.

Sus manos no deben estar más cerca de 12 pulgadas (30 cm) a la fresa.

Nunca meta la mano directamente a través o sobre la fresa. Nunca meta la mano detrás de la fresa para coger la pieza de trabajo.

¡Tenga cuidado con los contragolpes del material!

El peligro de contragolpes es mayor cuando: la pieza de trabajo tiene nudos, agujeros u objetos extraños. Piezas deformadas o poco uniformes deben ser pasadas por el cepillo antes del fresado o de perfilar con la tupí.

¡Nunca fuerce una pieza de trabajo a través de la tupí al sentir resistencia - alto peligro de contragolpe! Deje que la fresa haga el trabajo y reduzca la velocidad de avance.

Mantenga las cuchillas afiladas uniformemente. Fresas desafiladas o irregulares aumentan drásticamente la probabilidad de un contragolpe.

Nunca intente quitar demasiado material en una sola pasada.

Podrá disfrutar de mejores resultados de trabajo y un mayor nivel de seguridad si divide el trabajo en varias pasadas.

USO ADECUADO

La máquina está diseñada para el perfilado y fresado directo de la madera con diferentes fresas. El equipo no está diseñado para moldear lo largo de piezas curvas.

El lugar de trabajo debe tener:

Condiciones de iluminación adecuadas para evitar sombras o la fatiga visual.

¡Acceso a un sistema de aspiración adecuado!

¡Un suelo limpio, nivelado, resistente a las vibraciones!

Suficiente espacio alrededor de la máquina para el manejo y alimentación del material.

Un circuito de suministro eléctrico adecuado, compatible.

Humedad: máx. 90% para máx. 25° C
máx. 70% para máx. 40° C

La máquina no está diseñada para uso al aire libre.

La máquina no está diseñada para funcionar en condiciones explosivas.

RIESGOS RESIDUALES

El trabajo con una tupí siempre contiene un cierto riesgo el cual no puede ser eliminado por completo. Esta es una lista breve indicando algunos de los riesgos residuales más peligrosos:

Riesgo de lesiones por contragolpe de la pieza de madera durante las operaciones de fresado.

Riesgo de lesiones por fresas en rotación.
Riesgo de lesiones por contacto con componentes eléctricos con corriente eléctrica.

Estos riesgos pueden ser minimizados si todas las normas de seguridad se aplican, la máquina cuenta con los servicios y el mantenimiento adecuado y el equipo es operado por personal capacitado.

USO INDEBIDO DE LA MÁQUINA

Cualquier uso que no cumpla con las normas de seguridad, los requisitos del lugar de trabajo, normas de mantenimiento o reglas de funcionamiento descritas en este manual.

HOLZMANN Maschinen no se hace responsable de ningún daño en la máquina y daños personales que es consecuencia directa o indirecta del uso inadecuado de la máquina.

2. ESPECIFICACIONES TÉCNICAS

La FS160L es una tupí de calidad para el usuario particular.

COMPONENTES (Abb. A)

1. Guía de salida de alimentación
2. Puerta del compartimiento del motor
3. Bloqueo del carro
4. Interruptor ON/OFF / Parada de emergencia
5. Bloqueo de rotación del eje
6. Volante de ajuste de la altura del eje
7. Guía de alimentación
8. Perno de fijación de la guía

DATOS TÉCNICOS

Potencia del motor S1/S6	1.5kW/2.1kW
Voltaje	230V ou 400V
Diámetro del eje	30mm
Recorrido vertical del eje	110mm
Velocidades	1400/4000/ 6000/9000 rpm
Ø de la apertura de la mesa	170mm
max. Ø de herramientas debajo de la mesa	144mm
encima de la mesa	160mm
Altura máx. de la herramienta	105mm
Ø de la boca de aspiración	100mm
dimensiones de la mesa	600x400mm
altura de la mesa	870mm
dim. de la mesa de trabajo	1000x220mm
peso netto	93kg

3. MONTAJE

ENTREGA DE LA MERCANCÍA

La máquina se envía parcialmente desmontada.

Al desembalar la máquina, compruebe: daños de transporte

Por favor, informe de los daños de transporte inmediatamente a la empresa de transporte que entrega la máquina, poniendo una reclamación de transporte.

Los daños ocultos de transporte deberán ser comunicados inmediatamente después de descubrirlos, pero como máximo 48 horas después de la entrega de la máquina.

Al desembalar compruebe el contenido de la entrega:

- Espaciadores: 18 unidades
- Anillos de la mesa: 2 unidades
- Cubierta de protección completa: 1 uni-

- dad
- Husillo intercambiable de 12mm: 1 unidad
- Carro: 1 unidad
- Cuerpo de la máquina: 1 unidad

TRANSPORTE / DESCARGA DE LA MÁQUINA

Durante el transporte o la el manejo la máquina, tener mucho cuidado y dejar que esta actividad sea realizada por personal cualificado, especialmente capacitado para este tipo de actividad.

Mientras la máquina está siendo cargada o descargada, asegúrese de que ninguna persona u objeto sería aplastado por la máquina.

¡No entrar en el área debajo de la máquina levantada por una grúa o una carretilla elevadora!

Mire la imagen B:

La máquina o partes de la misma sólo pueden ser levantadas por medio de un dispositivo de elevación autorizado, con capacidad de carga verificada.

Prepare una carretilla elevadora (D) o una carretilla manual (F) con capacidad de carga suficiente,

- ponga las horquillas (G) por debajo de la máquina, como se muestra en la imagen.

En caso de utilizar una grúa (E) o un equipo elevador similar, proceda de la siguiente manera:

- preparar cuatro correas de elevación (H) o cables de acero por lo menos 2 m de largo con capacidad de carga suficiente,
- fijar las correas en el gancho de la grúa con la capacidad requerida,
- coloque el otro extremo de las correas en las barras de elevación puestas bajo la máquina (las barras no son parte de la entrega),
- después de levantar un poco la máquina, comprobar la estabilidad de la máquina colgando de las correas,
- levantar la máquina con cuidado y lentamente y luego moverlo sin ningún tipo de movimiento brusco hasta el lugar seleccionado.

CONEXIÓN AL SISTEMA DE ASPIRACIÓN

Mire la imagen C:

¡Trabajar con la máquina sólo con el sistema de aspiración conectado y funcionando!

Para el buen funcionamiento de la máquina, es necesario un equipo de aspiración con una capacidad de succión mínima de

570m³/hora y la velocidad mínima del aire en las tuberías igual a 20m/sec para partículas secas, y 790m³/hora y velocidad mínima del aire en las tuberías igual a 28m/sec para partículas húmedas.

¡Encienda la máquina y el aspirador al mismo tiempo!

Use tubos flexibles de aspiración con un diámetro igual a 100mm. El tubo de aspiración se conecta a la toma de aspiración cuya ubicación en la máquina es la siguiente:

Para la máquina de fresado, el tubo de aspiración se coloca en la salida de la cubierta de la tupí, que también forma el conector de aspiración (A). El diámetro del tubo es de 100mm.

CONEXIÓN ELÉCTRICA

Los cables de alimentación dañados deben ser reemplazados por un especialista competente inmediatamente.

¡El funcionamiento con cables dañados es peligroso para la vida y por lo tanto está prohibido!

Antes de poner la máquina en funcionamiento asegúrese de que el voltaje y la frecuencia especificada en la placa de la máquina se ajustan a los valores de la red a la que está conectada.

La protección contra sobretensiones debe ser proporcionada por el usuario final.

Antes de ajustes y cambio de herramientas y antes de cualquier trabajo de ajuste y mantenimiento, siempre apague el interruptor y desenchufe el cable del suministro.

Este equipo debe estar conectado a tierra. Revisar y asegurarse de que la toma de corriente de su lugar de trabajo está conectada a tierra.

Si usted no tiene los conocimientos específicos y experiencia, deje que la conexión eléctrica sea revisada por un electricista cualificado.

4. FUNCIONAMIENTO

! ATENCIÓN

Apague la máquina con el botón rojo del interruptor principal y espere hasta que el cabezal se detenga por completo antes de realizar cualquier ajuste o montaje.

Para algunos ajustes además es necesario desenchufar la máquina para evitar el peligro de que la máquina se ponga en marcha sin intención.

AJUSTE DE LA ALTURA DEL EJE

Mire la imagen D:

Ajuste la altura del eje mediante el volante situado en la parte posterior derecha de la base y fijarlo con el tornillo de fijación. Una vuelta completa es de 2mm.

CAMBIO DE VELOCIDAD DEL EJE

Mire la imagen E:

Para cambiar la velocidad del eje, afloje la palanca de bloqueo (A) y gire el conjunto del motor hacia el eje. Cambiar la posición de la correa a la velocidad deseada y apretar el perno (B) de nuevo.

INSTALACIÓN DE HERRAMIENTAS DE FRESADO

Mire la imagen F:

Sólo use herramientas de fresado que se han diseñado para alimentación manual y se puede sujetar con firmeza y seguridad. Solamente herramientas conformes a EN847-1: 2005 y marcadas deben usarse.

Antes de montar la herramienta (A) asegúrese que los espaciadores (E) están limpios y sin daños. Asegúrese de que la forma de fijación es correcta. La herramienta de fresado se fija y se sujeta por un perno (C), a través del anillo del eje (D) y espaciadores (E) en el eje de la tupí.

Ajuste el agujero en la mesa de acuerdo al diámetro de la fresa (A) mediante los anillos de la mesa (B).

Al instalar las herramientas de fresado, la cubierta de protección debe estar abierta. Afloje los dos pernos de bloqueo para abrir la cubierta. Después de la instalación, cierre la cubierta y bloquear a través de los pernos de bloqueo.

Advertencia: Siempre cierre la cubierta de protección y bloquear de forma segura después de que las herramientas se hayan instalado.

¡Siempre instale las herramientas de corte tan bajo como sea posible!

Acostúmbrase a comprobar inmediatamente después de la instalación de las herramientas el giro libre de la fresa. Gírela con la mano, no debe tocar la guía o la cubierta en ningún momento.

AJUSTE DE LA GUÍA

La guía es un sistema de ajuste de dos piezas.

Cada parte de la guía es independientemente ajustable para compensar el corte de diferentes espesores y aplicaciones especiales de fresado.

Si elimina todo el borde de una pieza no debe colocar las dos guías en línea, sino colocar la guía de salida con tantos milímetros más adelante de la fresa que va a eliminar de la pieza.

MONTAJE DEL EJE INTERCAMBIABLE

Quitar el eje original por la fijación del eje y aflojando la tuerca del eje. Instale el eje intercambiable. ¡Fije el eje otra vez!

CONSEJOS PARA EL USO

- >> Antes de encender la máquina, compruebe la distancia entre la herramienta y la mesa, así como a la guía. Revise todas las palancas y botones de ajuste que estén bien apretados.
- >> Encender la máquina pulsando el botón verde 4 (ver imagen A).
- >> ¡Tenga cuidado con los contragolpes del material! Para evitar que el material se salga hacia arriba, debe ajustar el riel de la guía a la altura de la pieza + máx. 5mm.

TO MANTENIMIENTO



ATENCIÓN

¡Desconecte la máquina antes de cualquier trabajo de mantenimiento y/o de limpieza! ¡Desconecte la máquina de la toma de corriente principal!

- >> Control visual de la máquina, piezas de la máquina, el cable de alimentación, las herramientas de corte por cualquier daño.

Limpie la máquina con regularidad después de cada operación! Limpie especial-

mente la mesa, las caras de las guías y el transportador de ángulos.

No limpiar las virutas de madera, etc. a mano, sino más bien utilizar un cepillo adecuado y/o aire comprimido.

Compruebe con regularidad:

¿Pernos y conexiones aflojados?

¿Funciona el interruptor On/Off?

¿Los componentes de seguridad están en buenas condiciones?

¿Las herramientas están afiladas?

Lubricación:

Proteger a la mesa contra la corrosión aplicando regularmente aceite ligero.

Añadir un poco de grasa en las vías del carro

Compruebe todos los meses el estado de la correa-V. Revise si hay grietas o daños. Evitar que la correa-V y las poleas se ensucien o tengan grasa - esto podría causar resbalones de la correa durante la operación.

Usted debe reemplazar al menos una vez al año la correa-V.

6. SOLUCIÓN DE PROBLEMAS

¡Antes de comenzar a trabajar en la eliminación de defectos, desconecte la máquina de la fuente de alimentación!

Problema:

La máquina no se pone en marcha

Posible causa y solución:

1. Fusible fundido o protector térmico disparado. Reemplace el fusible y/o restablezca el protector térmico.
2. Cable de alimentación dañado - cámbielo.
3. Micro interruptor activo - Compruebe si la puerta de acceso para cambiar la correa está cerrada correctamente.

Problema:

Sobrecarga con frecuencia.

1. Cable de extensión, cable de alimentación de suministro no adecuada. - ¡Sustituir!
2. Velocidad de avance demasiado rápida para el material - Reducir la velocidad de avance, ajuste la velocidad al rendimiento de la máquina.
3. Cabezal de corte desafilado - Sustituir las cuchillas de la fresa, utilice sólo cuchillas afiladas.

4. Para 400V Motores: Fases pueden estar cambiados o el motor no recibe potencia a través de una fase. - Que un electricista profesional revise el enchufe, toma de corriente y cable.

Problema: La fresa no llega a la máxima velocidad.

1. Alimentación inadecuada / fuente de energía oscilante
- Comuníquese con su proveedor de energía eléctrica
2. Cable de extensión demasiado largo / demasiado pequeño mm²
- Deje que lo revise y lo solucione un electricista cualificado.

Problema: Los cortes no son satisfactorios

1. Cuchillas desafiladas - Cambie las cuchillas
2. Suciedad, goma, resina en el borde de la cuchilla - Limpiar, eliminar.
3. Combinación incorrecta de velocidad de avance, de cuchilla y velocidad del eje.

Problema: La máquina vibra

1. Daños en las cuchillas - Sustituir
2. La máquina se encuentra sobre una superficie irregular
La base debe estar firmemente a nivel, en suelo duro, libre de vibraciones. Atornille la máquina al suelo para reducir las vibraciones.
3. Correa-V defectuosa - Sustituir
4. Correa-V mal tensada - tensionar correctamente (no demasiado, y no flojo)
5. Polea doblada / dañada - Puede ocurrir si la correa se tensa demasiado - Sustituya la polea.

Problema: El eje no se eleva libremente. Serrín o suciedad en el mecanismo de elevación -
Limpiar el mecanismo de elevación.

Problema: El borde se astilla en los cortes transversales

1. Técnica de corte - Hacer el corte transversal primero, luego terminar con el corte en dirección de las fibras + ayudar el final del corte con bloques de trozos de madera.

Problema: Zonas desiguales en el borde de la pieza.

1. Presión variable aplicada por el operador sobre la pieza durante el corte - Hacer la pasada con una presión constante, ajustar las guías correctamente.

Problema: La profundidad del corte no es uniforme.

1. Alineación incorrecta de la guía - ali-

near la guía de salida.

2. La presión lateral sobre la pieza no es uniforme

- Pase la pieza con una presión constante contra la guía.

Problema: Quemaduras en la pieza de trabajo.

1. Corte demasiado profundo para una sola pasada - Especialmente para maderas duras, hacer cortes ligeros y alcanzar la profundidad deseada con varias pasadas. No fuerce el trabajo, alimente un poco más lentamente y sin parar.

7 GARANTÍA Y SERVICIO

Por favor, consulte nuestra sección de solución de problemas para la solución inicial de problemas. No dude en ponerse en contacto con su distribuidor HOLZMANN o nuestro servicio de atención al cliente.

Las reclamaciones de garantía basadas en su contrato de compraventa con su distribuidor Holzmann, incluyendo sus derechos legales, no se verán afectadas por esta declaración de garantía.

CONDICIONES DE GARANTÍA (aplicable desde el 09 de marzo 2011)

HOLZMANN-MASCHINEN otorga garantía de acuerdo con las siguientes condiciones:

- A) La garantía cubre cualquier defecto de fabricación de la herramienta / máquina, sin cargo alguno para el usuario, siempre que se puede verificar fehacientemente que la avería fue causada por defecto de material o fabricación.
- B) El plazo de garantía es de 12 meses, que se reduce a 6 meses para las herramientas / máquinas que han tenido un uso industrial. El plazo de garantía comienza desde el momento en que se adquiere la nueva herramienta / máquina por el usuario final. La fecha de inicio es la fecha en el recibo de entrega original, o la factura de compra en el caso de recogida por el cliente.
- C) Por favor, presente su reclamación de garantía a su distribuidor HOLZMANN donde adquirió la herramienta reclamada con la siguiente información:
- >> Factura original de venta y / o recibo de entrega.
 - >> Formulario de Servicio (ver en la sección del manual) rellenado, con un informe suficientemente claro sobre las deficiencias.
 - >> Para pedir los repuestos: una copia del respectivo despiece con las piezas de repuesto que necesita, marcadas clara e inequívocamente
- D) El procedimiento de garantía y lugar de cumplimiento se determina a discreción de Holzmann, y de acuerdo con el distribuidor HOLZMANN. Si no hay un contrato de servicios adicional como el servicio realizado in situ, el lugar de cumplimiento es principalmente el Centro de Servicio HOLZMANN en Haslach, Austria. Los gastos de transporte para envíos hacia y desde nuestro centro de servicio no están incluidos en esta garantía.
- E) La garantía no incluye los siguientes:
- Las piezas de uso/desgaste como correas, herramientas suministradas, etc., con excepción de daños iniciales que tiene que ser reclamados inmediatamente después de recibir y comprobar inicialmente la máquina.
 - Los defectos en la herramienta / máquina causados por el incumplimiento de las instrucciones de uso, montaje incorrecto, alimentación insuficiente, mal uso, alteración de las condiciones ambientales, las condiciones inadecuadas de operación, sobrecarga o falta de servicio o mantenimiento.
 - Daños y perjuicios causados por las manipulaciones realizadas, los cambios, adiciones hechas a la máquina.
 - Los defectos causados por el uso de accesorios, componentes o piezas de recambio que no sean piezas originales HOLZMANN.
 - Ligeras desviaciones o cambios leves en la apariencia de la herramienta/ máquina, que no afectan a la calidad especificada de su funcionalidad o el valor de la misma.
 - Defectos resultantes de un uso comercial de las herramientas/máquinas que
 - basadas en su construcción y potencia - no se han diseñado y construido para ser utilizadas para la carga continua industrial / comercial.
 - Reclamaciones, distintas al derecho a la corrección de los fallos en la herramienta denominada en estas condiciones de garantía, no están cubiertas por nuestra garantía.

Esta garantía es de carácter voluntario. Por lo tanto, los servicios proporcionados bajo garantía no alargan o renuevan el período de garantía de la herramienta o la pieza sustituida.

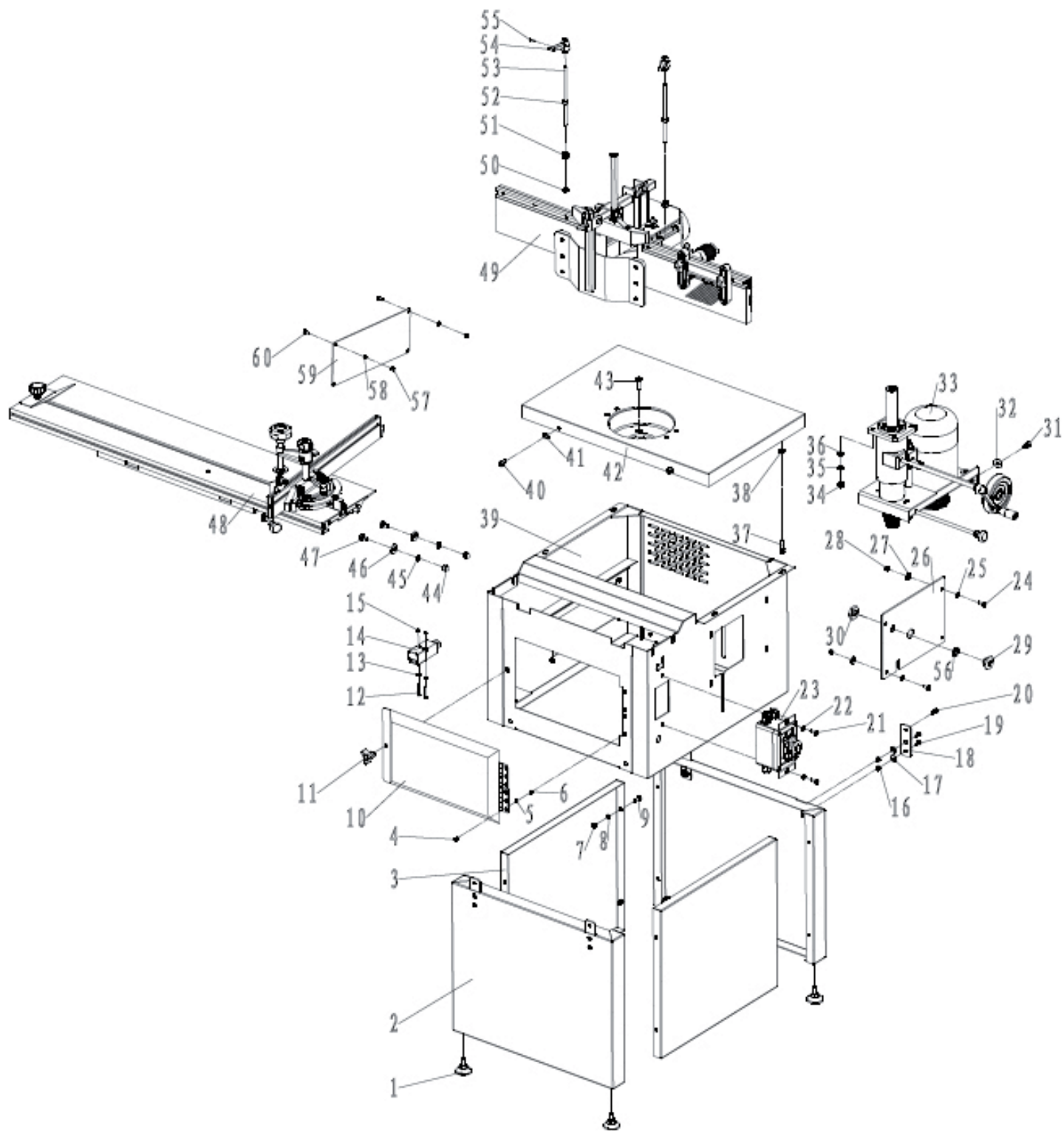
DISPONIBILIDAD DE SERVICIOS & RECAMBIOS

Después de la expiración de la garantía, servicios técnicos de reparación pueden llevar a cabo los trabajos de mantenimiento y reparación necesarios.

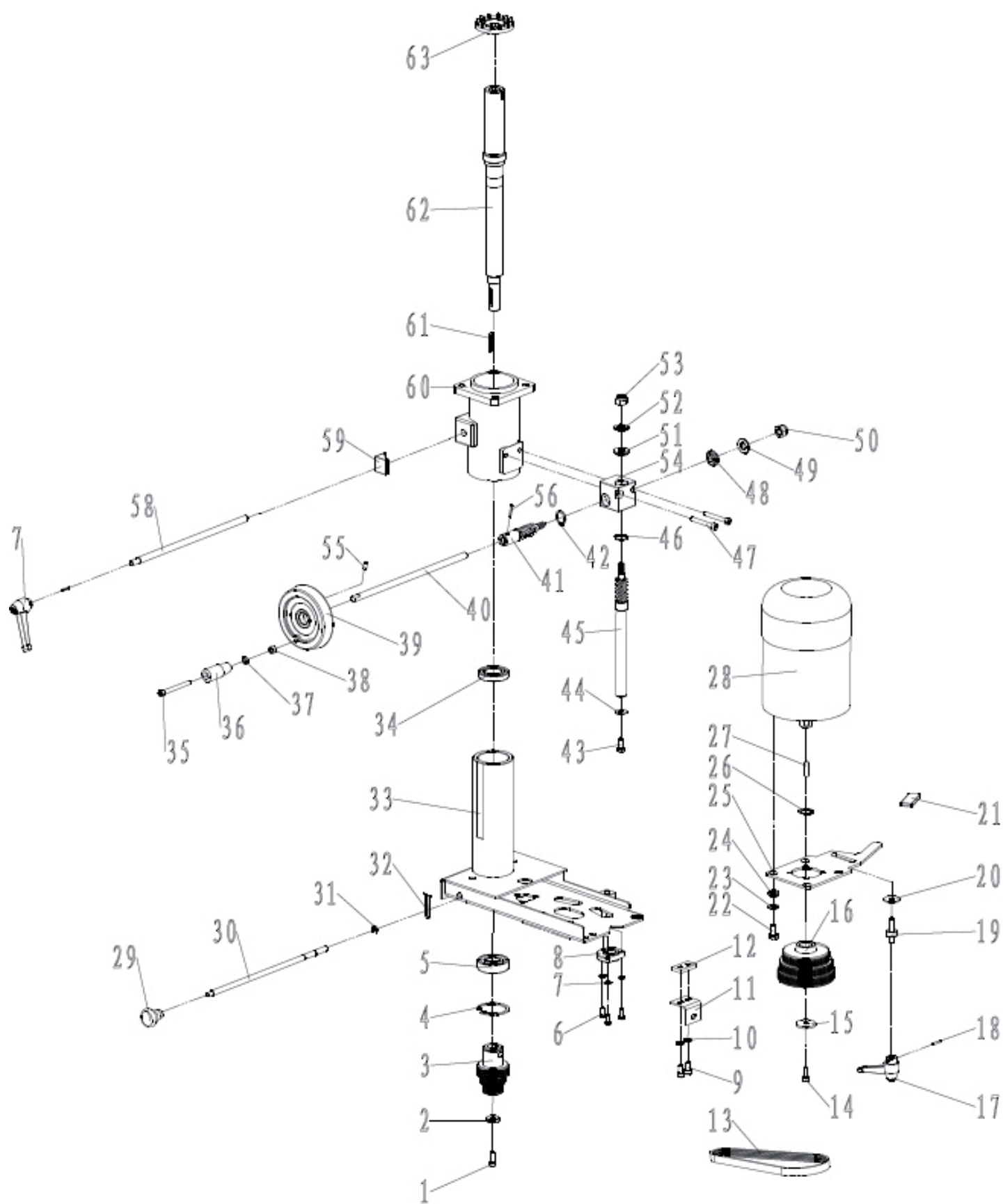
Nosotros también quedamos a su servicio, con las piezas de repuesto y/o servicio de la máquina. Mándenos su petición de presupuesto para repuestos/servicios de reparación, presentando el Formulario de Servicio que se encuentra en la sección final de este manual y envíelo:

por correo electrónico a: service@holzmann-maschinen.at

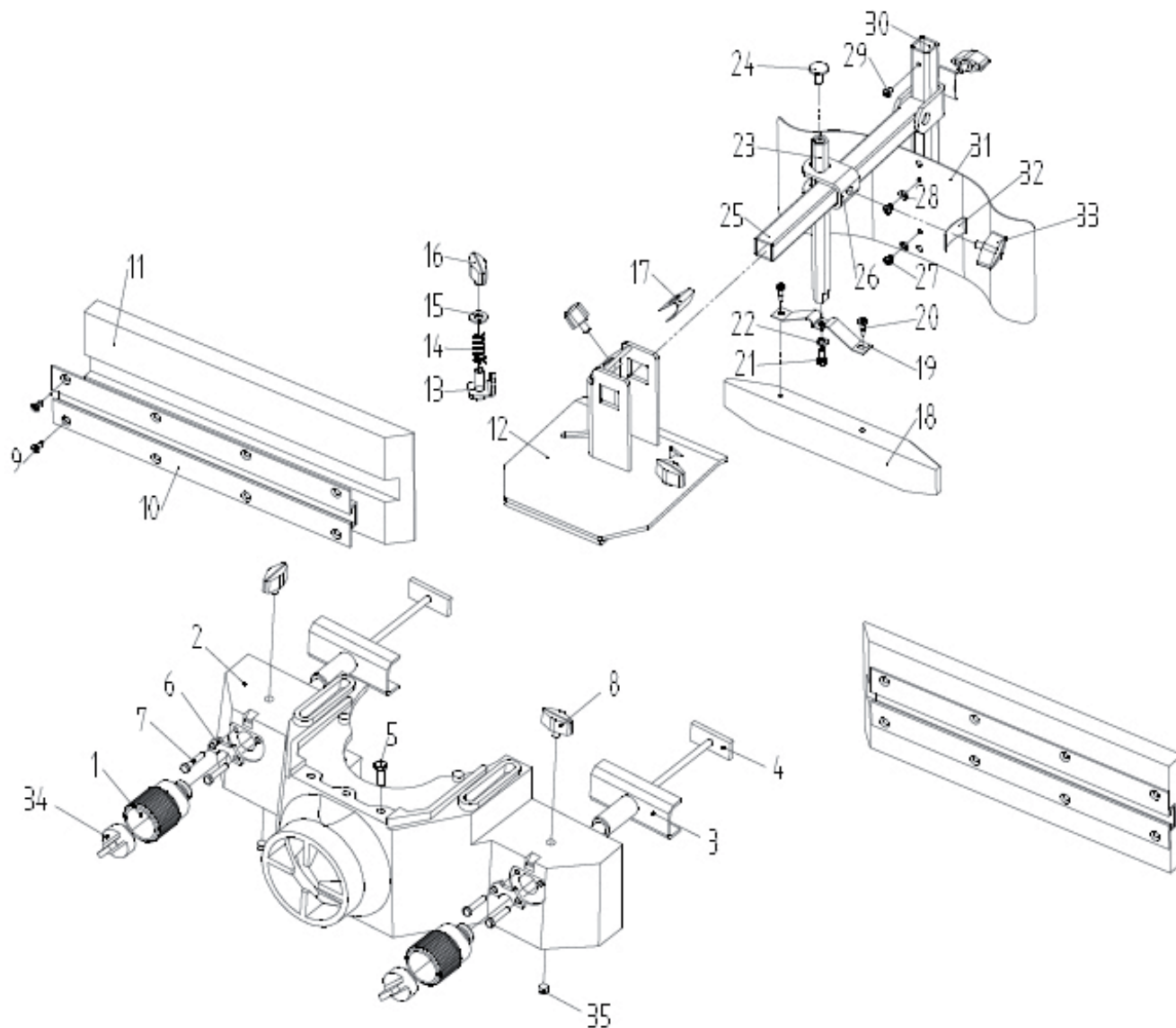
por fax al +43 116 61 7248 6



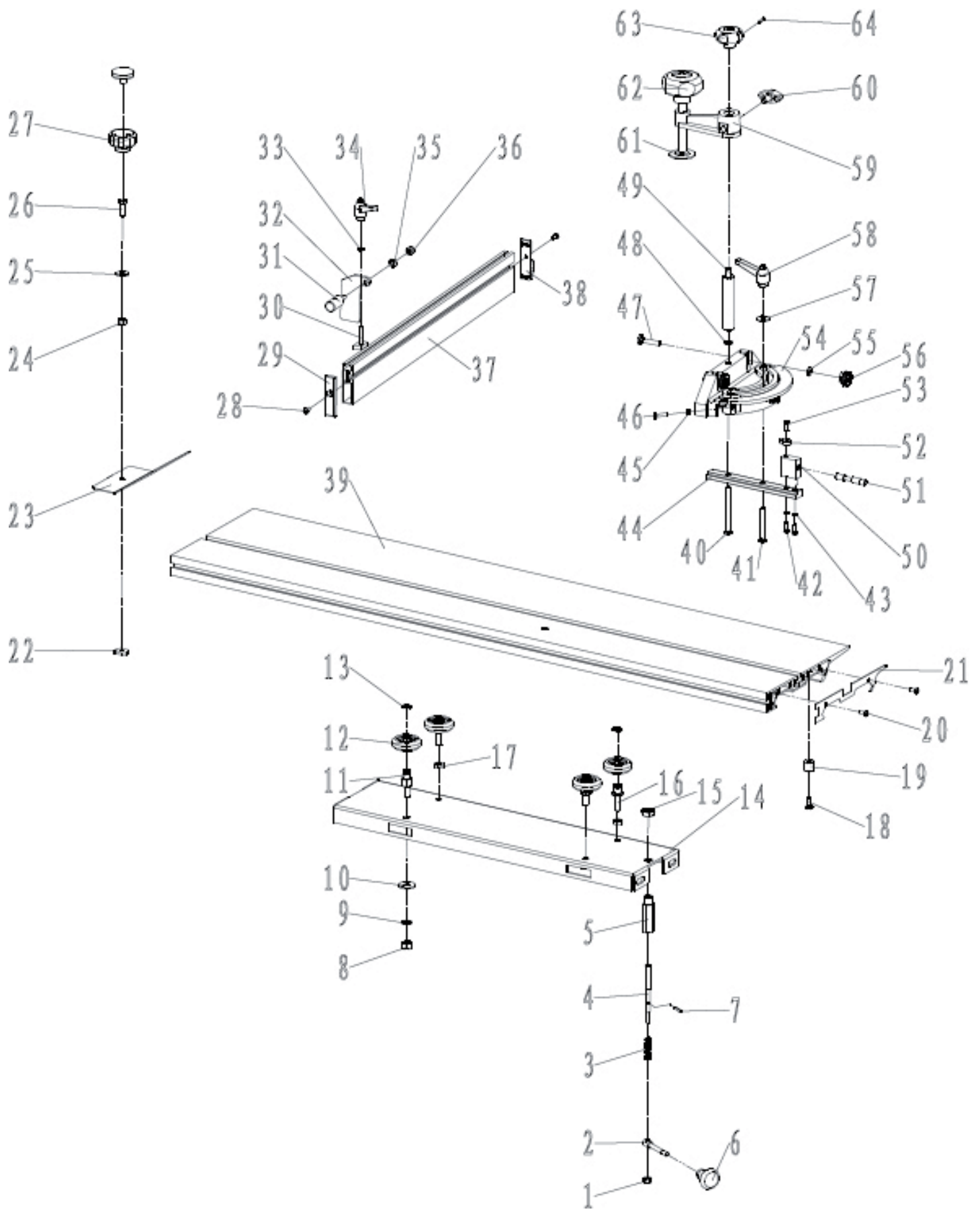
No.	Code	Description	Beschreibung	Qty	No.	Code	Description	Beschreibung	Qty
1	TS2000 814	Underprop	Nivellierfuß	4	2	TS2000 801	lower leg	Maschinenabdeck	2
3	MX1607	Cover board	Maschinenwand	2	4		screw M4x10	Schraube M4x10	4
5		Washer4	Beilagscheibe4	4	6		Hex Nut M4	6-Kantmutter M4	
7		Hex Nut M6	6-kantM6	8	8		Washer 6	Beilagscheibe 6	8
9		hex bolt M6x16	6-kantbolzen M6x16	8	10	MX1613	protective cover	Wartungstüre	1
11	MX1612	Door knob	Türknauf	12	12		Screw M4x30	Schraube M4x30	2
13		Washer 4	Beilagscheibe4	2	14		Interlock switch	Ausschalter	1
15		Hex Nut M4	Sechskantmutter	2	16		Hex Nut M6	6-Kantmutter M6	8
17		Washer6	Beilagscheibe6	8	18	TS2000 806		Linking plate	4
19		Screw M6X16	Schraube M6x16	8	20		Hex bolt M6x12	6-kantschraube M6x12	4
21		Scew M6x16	Schraube M6x16	2	22		Washer 6	Beilagscheibe 6	2
23		Switch Assembly	Schalter/Stecker	1	24		Screw M6x15	Schraube M6x16	4
25		Washer6	Beilagscheibe 6	8	26	MX1604	faceplate	Verkleidung	1
27		large washer6	Beilagscheibe6	8	28		hex nut M6	6-Kantmutter M6	4
29	MX1608	Bush	Gewindehülse	1	30	MX1601	hex nut	6-Kantmutter	1
31		Screw M8x25	Schraube M8x25	32	32		large washer 8	Beilagscheibe 8	1
33	MX1610	moulder assembly	Fräseinheit		34		Hex Nut M8	Sechskantmutter M8	4
35		springwasher8	Federscheibe8	1	36		washer 8	Beilagscheibe 8	4
37		screw M8x25	Schraube M8x25	1	38		washer 8	Beilagscheibe 8	4
39	MX1606	Box Assembly	Maschinenrahmen	1	40		screw M8x12	Schraube M8x12	2
41		Washer8	Beilagscheibe8	2	42	MX1601	table	Tisch	
43		Screw M8x30	Schraube M8x30	4	44		hex nut M8	6-kantmutter M8	4
45		Dentiform washer8	Sicherungsscheibe8	4	46		large washer 8	Beilagscheibe 8	4
47		square neck bolt M8x16	Vierkantschraube M8x16	4	48	MX1605	sliding table ass.	Schiebetisch	1
49	MX1603	moulder fence ass.	Fräshaube komplett	1	50		Washer 8	Beilagscheibe 8	2
51		hex flange nut M8	Flanscmutter M8	2	52		Hex Nut M8	6-kantmutter M8	2
53	MX1611	Locking shaft	Festziehgew.stange	2	54	MX161016	locking handle	Fixiergriff	2
55		spring pin 3x16	Spannstift 3x16	2	56	M1605	bush	Hülse	1
57		Hex nut M5	6-Kantschraube M5	4	58		Washer 8	Beilagscheibe 8	4
59	MX160608	Window plate	Abdeckplatte	1	60		screw M5x12	Schraube M5x12	4



No.	Code	Description	Beschreibung	Qty	No.	Code	Description	Beschreibung	Qty
1		screw M6x16	Schraube M6x16	1	2	MX161007	circular washer	Rundscheibe	1
3	MX161007	driven pulley	Spindelriemenscheibe	1	4		C-Ring Ø47	C-Ring Ø47	1
5		Bearing 6204	Lager 6204	1	6		hex bolt M5x12	6-kantschraube M5x12	3
7		Washer 5	Beilagscheibe 5	3	8	MX161010	nut bush	Mutternhülse	1
9		Screw M6x14	Schraube M6x14	3	10		Washer 6	Beilagscheibe 6	2
11	MX161014	angle plate	Winkelblech	1	12	MX161015	plate	Platte	1
13		Flachriemen	Flachriemen		14		screw M6x16	Schraube M6x16	1
15	K4390617	Large Washer	Beilagscheibe	1	16	MX161008	motor pulley	Motorriemenscheibe	1
17	MX161016	Locking handle	Fixierhebel	1	18		spring pin 3x16	Spannbolzen 3x16	1
19	MX161021	Locking bolt	Klemmbolzen	1	20		large washer 8	Beilagscheibe 8	1
21	MX161027	handle coat	Griffüberzug	1	22		Hex Bolt M8x16	6-kantschraube M8x12	4
23		Washer 8	Beilagscheibe 8	4	24	MX11022	space bush	Abstandshülse	4
25	MX161020	rotation plate	Schwenplatte	1	26		C-Ring Ø19	C-Ring Ø19	1
27		Key 6x25	Motorstift 6x25	1	28	MX161006	motor	Motor	1
29	TS200 731	hand grip	Handknopf	1	30	MX161012	locking pole	Arretierstange	1
31		C-Ring 6	C-Ring 6	1	32	MX161004	spring clip	Federklemme	1
33	MX161003	Motor rack	Führungshülse	1	34		Bearing 6005	Lager 6005	1
35		Screw M6x60	Schraube M6x60	1	36		handle bush	Griff	
37		Washer 6	Beilagscheibe 6	1	38		hex nut M6	6-kantmutter M6	1
39	K41923	hand wheel	Handrad	1	40	MX161025	rotation pole	Stange	1
41	MX161026	gear shaft	Getriebewelle	1	42		C-Ring Ø18	C-Ring Ø18	1
43		hex bolt M6x16	6-kantschraube M6x16	1	44		large washer6	Beilagscheibe 6	1
45	MX161005	gear shaft	Getriebewelle	1	46		C-Ring Ø18	C-Ring Ø18	1
47		screw M6x45	Schraube M6x45	2	48	MX161023	gear bush	Gewindebuchse	1
49		bearing	Lager	1	50		hex locking	6-kant Sicherung	1
51	MX161023	gear bush	Gewindehülse	1	52		bearing	Lager	1
53		hex locking nut M10	6-kant Sicherungsmutter M10	1	54	MX161024	gear box	Getriebegehäuse	1
55		set screw M6x12	Wurmschraube M6x12	1	56		spring pin 3x20	Spannbolzen 3x20	1
57	MX161016	locking handle	Fixierhebel	1	58	MX151009	locking pole	Arretierstange	1
59	MX1018	locking block	Fixiereinheit	1	60	MX161002	oriented stand	Spindelgehäuse	1
61		Key 5x30	Stiftschlüssel 5x30	1	62	MX161001	spindle	Frässpindel	1
63	MX161002	fan cap	Abschlusskappe	1					



No.	Code	Description	Beschreibung	Qty	No.	Code	Description	Beschreibung	Qty
1	MX160324	Adjusting wheel	Einstellknopf	2	2	MX160316	exhaustion socket	Fräshaube	1
3	MX160321	guide rack	Führungswange	2	4	MX160320	T-shaped bolt	Anschlagspanner	1
5		screw M6x10	Schraube M6x10	4	6	MX160323	metal plate	Zwischenplättchen	2
7		hex bolt M5x12	6-kantschraube M5x12	4	8	MX160313	rhombic handgrip	Sterngriff	3
9		screw M4x12	schrauben M4x12	16	10	MX160309	T-shaped rail	T-Nuten Führung	2
11	MX160318	horiz. wood board	Fräsanschlag Holz	2	12	MX160315	turing rack	Haubenabdeckung	1
13	MX160318	lockingsheet metal	Spannfederhalter	2	14	MX160309	spring	Feder	1
15		Washer 8	Beilagscheibe 8	2	16	MX160317	Rhombic handgrip	Sterngriff	2
17	MX160301	Saucer	Klemmscheibe	2	18	MX160307	wood board	Niederhalter Holz	1
19	MX160312	M-shaped plate	M-Form Blechhalterung	1	20		screw M4x16	Schraube M4x16	2
21		hex bolt M5x12	6-kantschraube M5x12	1	22		Washer 5	Beilagscheibe 5	1
23	MX160310	hexangular leader	6-kant Führungsstange	1	24		bolt M8x10	Abdeckkappe M8x10	1
25	MX160310	square leader assy	Vierkantführung	1	26	MX160306	Capstan	T-Halterung	1
27		screw M4x6	Schraube M4x6	2	28		washer 4	Beilagscheibe 4	2
29		screw M4x6	Schraube M4x6	1	30	MX160302	standpipe	Vierkanthalterung	1
31	MX160304	spring prot. board	Rückschlagschutz	1	32	MX160311	locking patch	Klemmplatte	2
33	MX160301	rhombic handgrip	Sterngriff	1	34	MX160322	locking knob	Sterngriff	2
35		set screw M8x10	Stellschraube M8x10	2					



No.	Code	Description	Beschreibung	Qty	No.	Code	Description	Beschreibung	Qty
1		hex nut M6	6-kantmutter M6	1	2	TS2000741	pin pole	Steckerstift	1
3	TS2000735	spring	Feder	1	4	TS2000734	locking pole	Arretierbolzen	1
5	TS2000742	pole bush	Bolzenhülse	1	6	TS2000720	locking handle	Fixierknauf	1
7		spring pin 3x16	Spannstift 3x16	1	8		hex nut M8	6-kantmutter	1
9		dentiform washer 8	Sicherungsscheibe 8	2	10		large washer 8	Rundscheibe 8	2
11	TS2000728	eccentric pole	Exzenterstange	2	12	K4190117	trolley	Führungsrad	4
13		C-Ring Ø10	C-Ring Ø10	4	14	TS2000714	table support	Tischträger	1
15		hex thin nut M12	6-kantmutter M12	2	16	TS2000737	homocentric pole	Radachsenstange	2
17		hex thin nut M8	6-kantmutter M8	2	18		screw M6x16	Schraube M6x16	2
19	TS2000511	nylon bush	Kunststoffhülse	2	20		screw M4x10	Schraube M4x10	4
21	TS2000510	guide rail insert	Abdeckung	2	22	TS2000613	square nut	vierkantmutter	1
23	TS2000612	stopping plate	Stopperplatte	1	24		hex nut M6	6-kantmutter M6	1
25		large washer 6	Beilagscheibe 6	1	26		hex bolt M6x20	6-kantmutter M6x20	1
27	TS2000614	handle assembly	Sternknauf	1	28		screw M4x10	Schraube M4x10	2
29	TS2000513	fence insert	Endkappe Anschlag	1	30	TS2000514	T-shaped bolt	T-Stab	1
31	TS2000513	stopping bolt	Stoppbolzen	1	32	TS2000514	locking plate	Anschlag	1
33		Washer 5	Beilagscheibe 5	1	34	TS2000517	small handle	Fixierhebel	1
35		Washer 6	Beilagscheibe 6		36		locking hex nut M6	Sicherungsmutter M6	1
37	TS2000505	fence	Gehrungsanschlag	1	38	TS2000506	fence insert	Endkappe Anschlag	1
39	TS2000509	guide rail	Schiebetisch	1	40		screw M6x70	Schraube M6x70	1
41		screw M6x50	Schraube M6x50	1	42		screw M4x12	Schraube M4x12	2
43		spring washer	Federscheibe	2	44	TS2000501	T-shaped plate	T-Nut Einlage	1
45		hex nut M4	6-kantmutter M4	3	46		screw M4x16	Schraube M4x16	3
47		square neck bolt M6x30	Vierkantbolzen M6x30		48		washer 6	Beilagscheibe 6	1
49	TS2000512	erection shaft	Stangenhalterung	1	50	TS2000503	fixed support	Bolzenstiftgehäuse	1
51	TS2000502	stopping pole	Stopper	1	52	TS2000508	pointer	Zeiger	1
53		screw M4x12	Schraube M4x12	1	54	TS2000508	miter gauge	Gehrungsanschlag	1
55		washer 6	Beilagscheibe 6	2	56	TS2000607	Locking button	Fixierbolzen	2
57		large washer 6	Rundscheibe 6	1	58	K4190102	small handle	Fixierhebel	2
59	K4391304	Rocker	Halterung	1	60	K4391305	rhombic handgrip	Sterngriff	1
61	K4190116	press plate	Druckstempel	1	62	K4391302	press handle	Niederhalterknauf	1
63	TS2000517	handle	Drehknauf	1	64		spring pin 3x16	Spannbolzen 3x16	1

SERVICE FORM / SERVICEFORMULAR

Please tick one box from below / Bitte kreuzen Sie eine der untenstehenden an:

- service inquiry / Serviceanfrage
 spare part inquiry / Ersatzteilanfrage
 guarantee claim / Garantieantrag

1. Senders information (* required) / Daten Antragsteller (* sind Pflichtfelder)

*First name, Family name / Vorname, Nachname _____

*Street, house number / Straße, Hausnummer _____

*ZIP Code, place / PLZ, Ort _____

*Country / Staat _____

*(mobile)Phone / Telefon bzw. Mobiltel. _____

International numbers with country code

* E-Mail _____

Fax _____

2. Tool information / Geräteinformationen

serial number/Seriennummer: _____ *Machine type/Maschinentype: _____

2.1 Required spare parts / benötigte Ersatzteile

Part No° / Ersatzteilnummer	Description / Beschreibung	Number/Anzahl

2.2 Problem description / Problembeschreibung

Please describe amongst others in the problem:

What has caused the problem/defect, what was the last activity before you noticed the problem/defect?

For electric problems: Have you had checked your electric supply and the machine already by a certified electrician?

Bitte führen Sie in der Fehlerbeschreibung unter anderem an:

Was hat den Defekt verursacht bzw. was war die letzte durchgeführte Tätigkeit, bevor Ihnen das Problem/der Defekt aufgefallen ist?

Bei Elektrodefekten: Wurde die Stromzuleitung sowie die Maschine bereits von einem Elektrofachmann geprüft?

3. Additional information

INCOMPLETELY FILED SERVICE FORMS CANNOT BE PROCESSED!
FOR GUARANTEE CLAIMS PLEASE ADD A COPY OF YOUR ORIGINAL SALES / DELIVERY RECEIPT OTHERWISE IT CANNOT BE ACCEPTED.
FOR SPARE PART ORDERS PLEASE ADD TO THIS SERVICE FORM A COPY OF THE RESPECTIVE EXPLODED DRAWING WITH THE REQUIRED SPARE PARTS BEING MARKED CLEARLY AND UNMISTAKABLE.
THIS HELPS US TO IDENTIFY THE REQUIRED SPARE PARTS FASTLY AND ACCELERATES THE HANDLING OF YOUR INQUIRY.

THANK YOU FOR YOUR COOPERATION!

/ Bitte Beachten

UNVOLLSTÄNDIG AUSGEFÜLLTE FORMULARE KÖNNEN NICHT BEARBEITET WERDEN!

GARANTIEANTRÄGE KÖNNEN AUSSCHLIESSLICH UNTER BEILAGE DES KAUFBELEGES/ABLIEFERBELEGES AKZEPTIERT WERDEN.

BEI ERSATZTEILBESTELLUNGEN LEGEN SIE DIESEM FORMULAR EINE KOPIE DER BETREFFENDEN ERSATZTEILZEICHNUNG BEI! MARKIEREN SIE DARAUF DIE BENÖTIGTEN ERSATZTEILE. DIES ERLEICHTERT UNS DIE IDENTIFIZIERUNG UND ERMÖGLICHT SO EINE RASCHERE BEARBEITUNG.

VIELEN DANK!



KONFORMITÄTSERKLÄRUNG / DECLARATION OF CONFORMITY



Inverkehrbringer / Distributor
HOLZMANN MASCHINEN GmbH
4170 Haslach, Marktplatz 4
AUSTRIA

Hereby we declare, that the below mentioned machine complies with all relevant safety and health requirements of the below stated directives. Any manipulation of the machine not explicitly approved by us in written form renders this document null and void.

Hiermit erklären wir, dass die nachfolgend genannte(n) Maschine(n) den grundlegenden Sicherheits- und Gesundheitsanforderungen der angeführten EG-Richtlinien entspricht. Diese Erklärung verliert ihre Gültigkeit, wenn Veränderungen an der Maschine vorgenommen werden, die nicht mit uns ausdrücklich schriftlich im Vorfeld abgestimmt wurden.

MACHINE TYPE / MASCHINENTYPE

single spindle vertical moulding machine / Vertikalspindel Tischfräsmaschine

MODEL NAME / MODELLBEZEICHNUNG

HOLZMANN FS 160L

DIRECTIVES / RICHTLINIEN

2006/42/EC Annex I
2006/95/EC

REGISTRATION NUMBERS / REGISTRIERUNGSNUMMERN

BM 60020533 0001
AN 50118566 0001

Haslach 10.03.2011
Place,/Ort Date/datum



Klaus Schörgenhuber, CEO

