

PROMAC®

11-2018

**Metal Lathe
Metalldrehbank
Tour à métaux**

PBD-2555V



CE

Schweiz / Suisse
JPW(TOOL)AG
Ackerstrasse 45,
CH-8610 Uster, Switzerland
www.promac.ch

France
TOOL FRANCE SARL, 9 Rue des Pyrénées,
91090 LISSES, France
www.promac.fr

**CE-Conformity Declaration
CE-Konformitätserklärung
Déclaration de Conformité CE**

Product / Produkt /Produit:

Metal lathe / Metaldrehbank / Tour à métaux

PBD-2555V

Brand / Marke / Marque:

PROMAC

Manufacturer / Hersteller / Fabricant:

Tool France PROMAC, JPW Industries-Europe

9 Rue des Pyrénées ZI du Bois Chaland, 91090 LISSES / EVRY, France

We hereby declare that this product complies with the regulations

Wir erklären hiermit, dass dieses Produkt der folgenden Richtlinie entspricht

Par la présente, nous déclarons que ce produit correspond aux directives suivantes

2006/42/EC

Machinery Directive

Maschinenrichtlinie

Directive Machines

2014/30/EU

electromagnetic compatibility

elektromagnetische Verträglichkeit

compatibilité électromagnétique

designed in consideration of the standards

und entsprechend folgender zusätzlicher Normen entwickelt wurde

et été développé dans le respect des normes complémentaires suivantes

EN ISO 12100:2010

EN ISO 23125:2015

EN 60204-1:2006/AC2010

EN 61000-6-2:2005

EN 61000-6-4:2007/A1:2011

Responsible for the Documentation / Dokumentations-Verantwortung / Responsabilité de Documentation:

Head of Product-Mgmt. / Leiter Produkt-Mgmt. / Resp. Gestion des Produits

TOOL FRANCE SARL



2018-10-29 Christophe SAINT SULPICE, General Manager

TOOL FRANCE SARL, 9 Rue des Pyrénées, 91090 LISSES, France

EN Operating Instructions

1.0 About this Manual

This manual is provided by PROMAC, covering the safe operation and maintenance procedures for a **PROMAC Model PBD-2555V Metal Lathe**. This manual contains instructions on installation, safety precautions, general operating procedures, maintenance instructions and parts breakdown. The machine has been designed and constructed to provide consistent, long-term operation if used in accordance with the instructions as set forth in this document.

Retain this manual for future reference. If the machine transfers ownership, the manual should accompany it.

2.0 Table of Contents

Section	Page
1.0 About this manual.....	3
2.0 Table of contents.....	3
3.0 Important safety instructions.....	4~6
3.1 Designated use and limitations to use.....	6
3.2 Remaining hazards.....	6
4.0 Specifications.....	7~8
5.0 Machine description.....	9
6.0 Setup and assembly.....	10
6.1 Unpacking and clean up.....	10
6.2 Shipping contents.....	10
6.3 Assembly.....	10
6.4 Initial lubrication.....	10
6.5 Installation.....	10
7.0 Electrical connections.....	10~11
7.1 Grounding instructions.....	10
7.2 Extension cords.....	11
8.0 Adjustments.....	11~13
8.1 Spindle speed range selection.....	11
8.2 Change gear setup.....	11
8.3 Turning between centres.....	12
8.4 Taper turning with top slide.....	12
8.5 Three jaw universal chuck.....	12
8.6 Four jaw independent chuck.....	12
8.7 Live centre.....	13
8.8 Steady rest and follow rest.....	13
9.0 Operating controls.....	14
10.0 Machine operation.....	14~16
10.1 Cutting execution.....	14
10.2 Chucking.....	14
10.3 Cutting Tool Setup.....	15
10.4 Recommended spindle speeds.....	15
10.5 Manual turning.....	15
10.6 Turning with auto feed.....	15
10.7 Thread cutting.....	16
10.8 Drilling operation.....	16
11.0 User maintenance.....	16
11.1 Lubrication.....	16
11.2 Maintenance adjustments.....	16
12.0 Troubleshooting.....	17
13.0 Environmental protection.....	17
14.0 Available accessories.....	17
15.0 Replacement parts.....	18~37
16.0 Wiring diagrams.....	38~39

3.0 IMPORTANT SAFETY INSTRUCTIONS

READ ALL INSTRUCTIONS BEFORE USING THIS LATHE.



– To reduce risk of injury:

1. Read and understand entire owner's manual before attempting assembly or operation of this machine.
2. Read and understand the warnings posted on the machine and in this manual.
3. Replace warning labels if they become obscured or removed.
4. This machine is designed and intended for use by properly trained and experienced personnel only. If you are not familiar with the proper and safe operation of a metal lathe, do not use until proper training and knowledge have been obtained.
5. Do not use this machine for other than its intended use. If used for other purposes, PROMAC disclaims any real or implied warranty and holds itself harmless from any injury that may result from that use.
6. Always wear approved safety glasses or face shield while using this machine. (Everyday eyeglasses only have impactresistant lenses; they are *not* safety glasses.)
7. Before operating this machine, remove tie, rings, watches and other jewellery, and roll sleeves up past the elbows. Remove loose clothing and confine long hair. Non-slip footwear or anti-skid floor strips are recommended. Do **not** wear gloves.
8. Wear hearing protection (plugs or muffs) during extended periods of operation.
9. Some dust created by sawing may contain chemicals known to cause cancer, birth defects or other reproductive harm. Some examples of these chemicals are:
 - Lead from lead based paint.
 - Crystalline silica from bricks, cement and other masonry products.
 - Arsenic and chromium from chemically treated lumber.Your risk of exposure varies, depending on how often you do this type of work. To reduce your exposure to these chemicals, work in a well-ventilated area and work with approved safety equipment, such as face or dust masks that are specifically designed to filter out microscopic particles.
10. Do not operate this machine while tired or under the influence of drugs, alcohol or any medication.
11. Make certain the switch is in the **OFF** position before connecting the machine to the power supply. Turn off all controls before unplugging.
12. Make certain the machine is properly grounded. Connect to a properly grounded outlet only. See Grounding instructions.
13. Make all machine adjustments or maintenance with the machine unplugged from the power source.
14. Remove adjusting keys and wrenches. Form a habit of checking to see that keys and adjusting wrenches are removed from the machine before turning it on.
15. Keep safety guards in place at all times when the machine is in use. If removed for maintenance purposes, use extreme caution and replace the guards immediately after maintenance is complete.
16. Check damaged parts. Before further use of the machine, a guard or other part that is damaged should be carefully checked to determine that it will operate properly and perform its intended function. Check for alignment of moving parts, binding of moving parts, breakage of parts, mounting and any other conditions that may affect its operation. A guard or other part that is damaged should be properly repaired or replaced.
17. Provide for adequate space surrounding work area and non-glare, overhead lighting.
18. Keep the floor around the machine clean and free of scrap material, oil and grease.
19. Keep visitors a safe distance from the work area. **Keep children away.**
20. Make your workshop child proof with padlocks, master switches or by removing starter keys.
21. Give your work undivided attention. Looking around, carrying on a conversation and "horse-play" are careless acts that can result in serious injury.
22. Keep an ergonomic body position. Maintain a balanced stance at all times so that you do not fall or lean against the chuck or other moving parts. Do not overreach or use excessive force to perform any machine operation.
23. Use the right tool at the correct speed and feed rate. Do not force a tool or attachment to do a job for which it was not designed. The right tool will do the job better and safer.
24. The machine is intended for indoor use. To reduce the risk of electric shock, do not use outdoors or on wet surfaces.
25. Do not handle plug or machine with wet hands.
26. Use recommended accessories; improper accessories may be hazardous.
27. Maintain tools with care. Keep tools sharp and clean for the best and safest performance. Follow instructions for lubricating and changing accessories.
28. Turn off machine and disconnect from power before cleaning. Use a brush or compressed air to remove chips or debris; do not use bare hands.
29. Do not stand on the machine. Serious injury could occur if the machine tips over.
30. Never leave the machine running unattended. Turn the power off and do not leave the machine until it comes to a complete stop.

31. Remove loose items and unnecessary work pieces from the area before starting the machine.

32. Pull the mains plug if the machine is not in use.

33. Make sure the workpiece is securely clamped.

Familiarize yourself with the following safety notices used in this manual:



WARNING: This means that if precautions are not heeded, it may result in serious, or possibly even fatal, injury.



CAUTION: This means that if precautions are not heeded, it may result in minor injury and/or possible machine damage.

SAVE THESE INSTRUCTIONS



WARNING:

These symbols blow advise that you follow the correct safety procedures when using this machine.



Read and understand the entire user manual before attempting assembly or machine operation.



Any work piece stock extending the rear end of the headstock must be covered on its entire length. High danger of injury



Always wear approved working outfit
Wear safety goggles.
Wear ear protection.



Do not operate this machine under the influence of drugs, alcohol or medication



Always wear the approved working outfit
Wear safety shoes.
Remove tie, rings, watches, jewellery.
Roll up sleeves above elbows.
Remove all loose clothing and confine long hair



Do not wear gloves while operating this machine



Make all machine adjustments or maintenance with the machine unplugged from the power source.



Connection and repair work on the electrical installation may be carried out by a qualified electrician only.



Never reach into the machine while it is operating or running down.

3.1 Designated use and limitations to use

The machine is designed for turning and drilling machinable metal and plastic materials only.

The workpiece must allow to safely be loaded, supported and clamped.

The machine is intended for indoor use. The protection rating of the electrical installation is IP 54.

To avoid tipping, the machine must be bolted down with four anchor bolts.

If used for other purposes, PROMAC disclaims any real or implied warranty and holds itself harmless from any injury that may result from that use.



WARNING:

The machine is not suitable for machining magnesium...high danger to fire!

Never place your fingers in a position where they could contact any rotating parts or chips.

Check the safe clamping of the work piece before starting the machine.

Don't exceed the clamping range of the chuck.

Work pieces longer than 3 times the chucking diameter need to be supported by the tailstock or a steady rest.

Avoid small chucking diameters at big turning diameters. Avoid short chucking lengths and small chucking contact.

Do not exceed the max speed of the work holding device.

Use the right tool at the correct speed and feed rate. Do not force a tool or attachment to do a job for which it was not designed. The right tool will do the job better and more safely.

Use recommended accessories; improper accessories may be hazardous.

Maintain tools with care. Keep cutting tools sharp and clean for the best and safest performance.

Follow instructions for lubricating and changing accessories.

Do not attempt to adjust or remove tools during operation.

Never stop a rotating chuck or workpiece with your hands.

Choose a small spindle speed when working unbalanced work pieces and for threading and tapping operations.

Any work piece stock extending the rear end of the headstock must be covered on its entire length. High danger of injury!

Long work pieces may need a steady rest support. A long and thin work piece can suddenly bend at high speed rotation.

Never move the tailstock or tailstock quill while the machine is running.

Remove cutting chips with the aid of an appropriate chip hook when the machine is at a standstill only.

Measurements and adjustments may be carried out when the machine is at a standstill only.

Maintenance and repair work may only be carried out after the machine is protected against accidental starting, pull the mains plug.

Remove loose items and unnecessary work pieces from the area before starting the machine.

Rotate workpiece by hand before applying power. Use lowest speed when starting new workpiece.

Tighten all locks before operating.

3.2 Remaining hazards

When using the machine according to regulations some remaining hazards may still exist.

The rotating work piece and chuck can cause injury.

Thrown and hot work pieces and cutting chips can lead to injury.

Chips and noise can be health hazards. Be sure to wear personal protection gear such as safety goggles and ear protection.

The use of incorrect mains supply or a damaged power cord can lead to injuries caused by electricity.

When opening the electrical cabinet, the grid-feeding voltage persists. Therefore pay attention every time you enter it.

4.0 Specifications

Model number..... PBD-2555V
 Stock number..... PBD-2555V

Motor and electricals:

Motor type..... DC-motor, variable speed
 Motor power..... 1.1 kW
 Power supply..... 1~230V, PE, 50Hz
 Protection class..... IP54
 Listed load amps..... 6 A
 Machine lamp..... Halogen lamp 24V, 35 W
 Coolant pump..... 40 W

Capacities:

Centre height..... 125 mm
 Swing over bed..... 250 mm
 Swing over cross slide..... 140 mm
 Distance between Centres..... 550 mm

Spindle:

Spindle nose mounting..... short taper (1:4 \emptyset 53.975mm, \emptyset 75x3x \emptyset 9)
 Spindle bore..... 26 mm
 Spindle taper..... MT4
 Number of spindle speeds..... variable
 Range of spindle speeds..... 50~1250 & 100~2500 /min

Tailstock:

Tailstock ram travel..... 65 mm
 Tailstock taper..... MT2

Tool Slide:

Cross slide travel..... 110 mm
 Top slide travel..... 70 mm
 Tool size max..... 12x12 mm
 Lead screw pitch..... 3 mm
 Longitudinal feed..... (6x) 0.07/ 0.1 / 0.14/0.2/0.28/0.40 mm/rev
 Metric threads..... (21x) 0.2 ~ 4.0 mm/rev
 Inch threads..... (21x) 8 ~ 56TPI

Materials:

Machine Bed..... Cast iron, induction hardened and precision ground
 Headstock, tailstock, slides..... Cast iron
 Spindle bearings..... Taper roller bearings, quality level P5

Sound emission in idle 1..... 73.4 dB (LpA)
 Sound emission during cutting 1..... 78.3 dB (LpA)

¹Sound emission measured in 1m distance, 1.6m above ground. The specified values are emission levels and are not necessarily to be seen as safe operating levels. As workplace conditions vary, this information is intended to allow the user to make a better estimation of the hazards and risks involved only.

Dimensions and Weights:

Overall dimensions, assembled (W x D x H)..... 1250 x 590 x 480 (1300) mm
 Shipping dimensions (W x D x H)..... 1200x560x610&820x580x430mm
 Net weight (approximate)..... 178kg
 Shipping weight (approximate)..... 200kg

L = length; W = width; H= height; D= depth

The specifications in this manual were current at time of publication, but because of our policy of continuous improvement, JET reserves the right to change specifications at any time and without prior notice, without incurring obligations.

4.1 Spindle nose mounting:

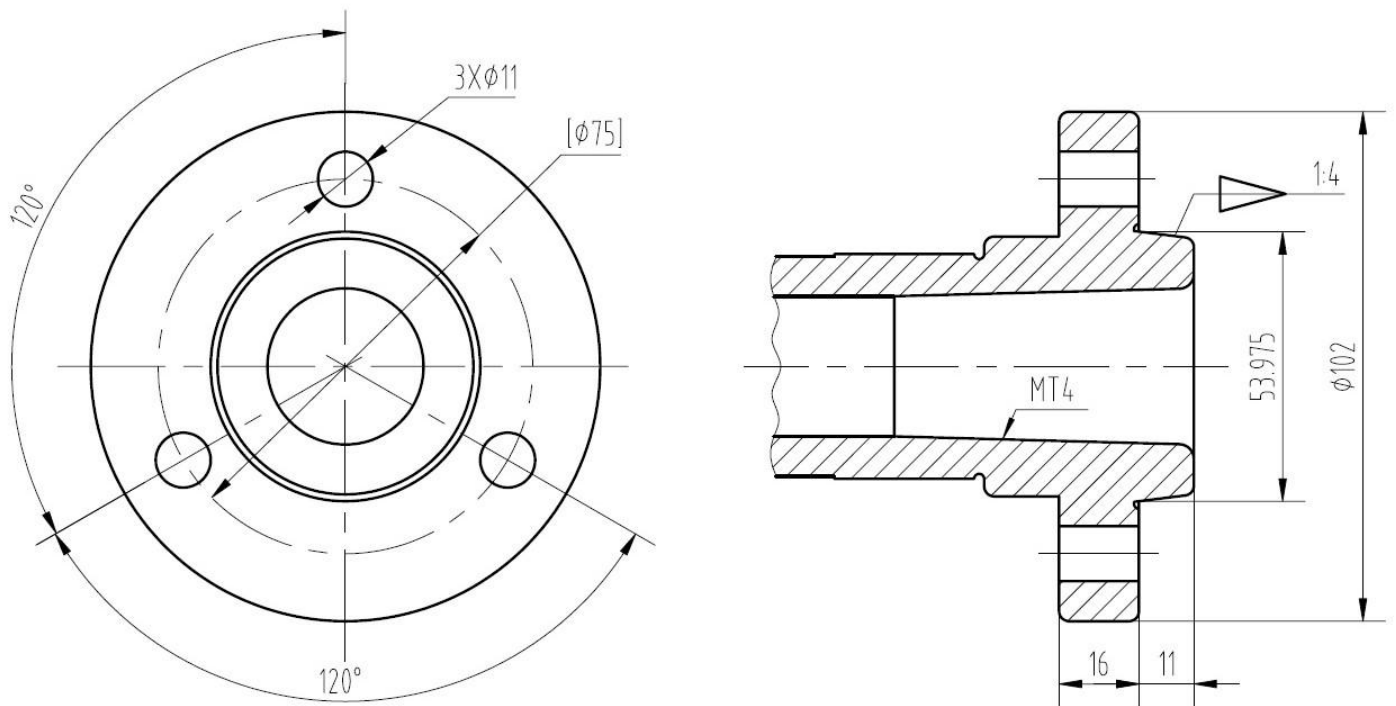


Figure 4-1: Spindle nose mounting

4.2 Anchor bolt hole pattern:

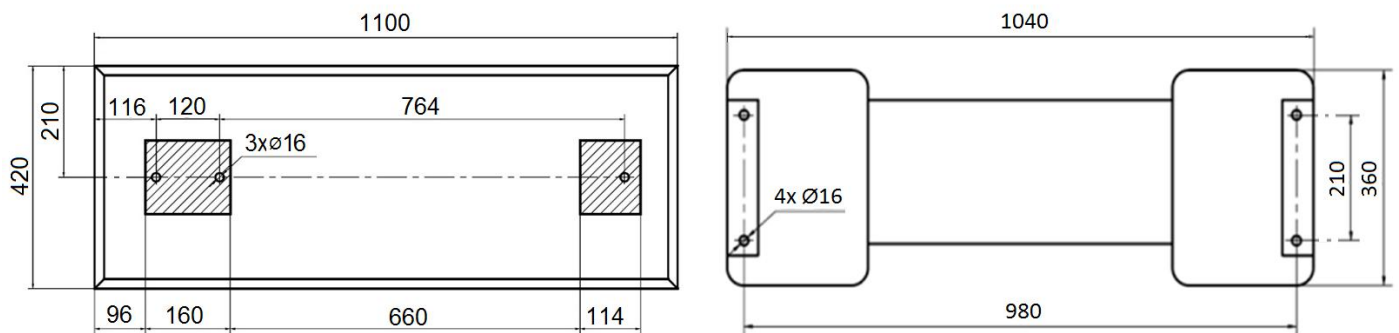


Figure 4-2: Anchor bolt pattern for lathe bed (left) & machine stand (right)



WARNING:

To avoid tipping, the machine must be bolted down with four anchor bolts (not provided).

5.0 Machine Description

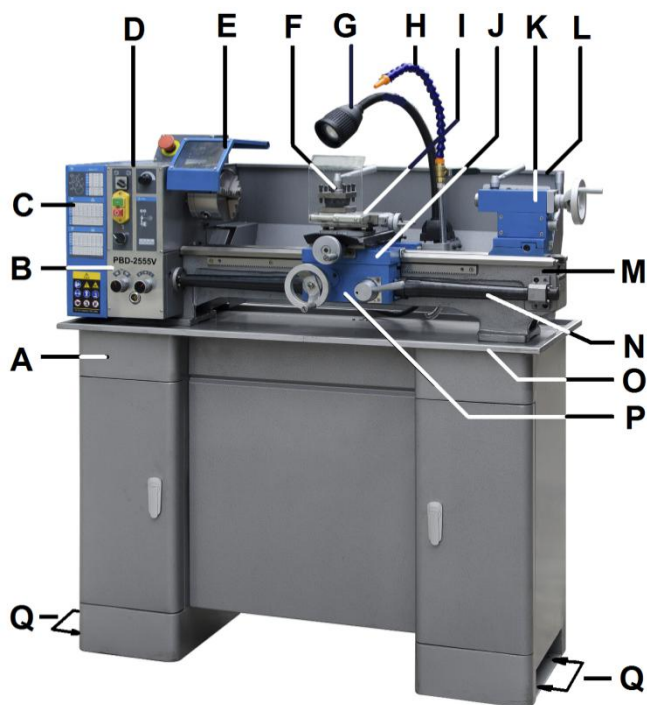


Figure 5-1: Machine description

- A Machine cabinet stand
- B Gear box
- C Pulley cover
- D Headstock
- E Chuck and chuck guard
- F Tool post and tool post guard
- G Machine lamp
- H Coolant nozzle
- I Top slide
- J Carriage
- K Tailstock
- L Splash guard
- M Lathe bed
- N Lead screw
- O Chip tray
- P Apron
- Q Anchor points

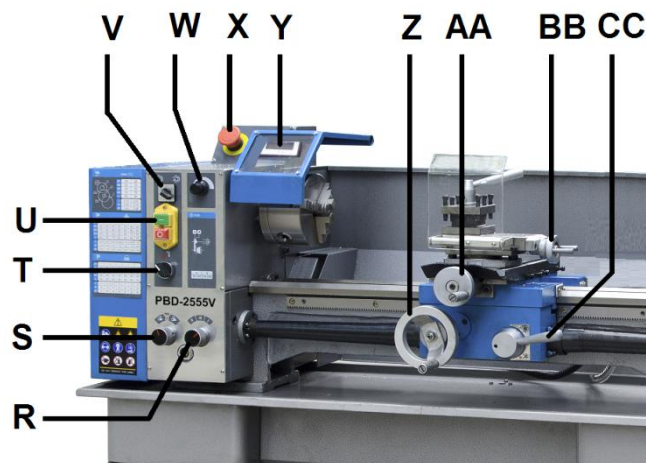


Figure 5-2: Machine description

- R Feed speed select knob
- S Feed forward/off/reverse
- T Coolant ON/OFF
- U Spindle power ON/OFF
- V Spindle forward/reverse
- W Variable speed select knob
- X Emergency Stop
- Y Spindle speed display
- Z Apron hand wheel
- AA Cross slide hand wheel
- BB Top slide hand wheel
- CC Half-nut lever

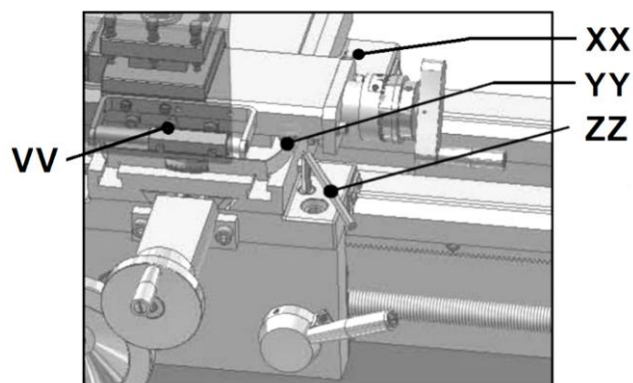


Figure 5-3 Machine description

- VV Top slide lock
- XX Cross slide lock
- YY Top slide taper adjustment
- ZZ Carriage lock

6.0 Setup and Assembly



WARNING:

Read and understand the entire contents of this manual before attempting assembly or operation. Failure to comply may cause serious injury.

6.1 Unpacking and clean up

Remove all contents from shipping crate and compare parts to the contents list in this manual. If shipping damage or any part shortages are identified, contact your distributor. Do not discard crate or packing material until machine is assembled and running satisfactorily.

Clean all rust protected surfaces with kerosene or a light solvent. Do not use lacquer thinner, paint thinner or gasoline, as these can damage plastic components and painted surfaces.

6.2 Shipping contents

- 1 Machine
- 1 Cabinet stand (Optional, PBD2555V-807)
- 1 Coolant facility (Optional, 59500112) Machine lamp
- 1 125mm 3-jaw universal chuck (PBD2555V-157)
- 1 4-jaw chuck (Optional, PBD2555V-158)
- 1 Face plate (Optional, PBD2555V-159)
- 1 Chuck guard
- 1 4-way tool post
- 1 Tool post guard
- 1 Set of change gears
- 1 MT4 fixed centre (PBD2555V-456)
- 1 MT2 fixed centre (PBD1830V-532)
- 1 MT2 live centre (Optional, PBD1830V-533)
- 1 Steady rest (Optional, PBD2555V-714)
- 1 Follow rest (Optional, PBD2555V-715)
- 1 Operating tools in tool box
- 1 Oil can
- 1 Operating instructions and parts manual
(see end of document for detailed content)

6.3 Assembly

The machine comes completely assembled.
Install the drive belt (V-belt).
Inspect that all fasteners are tight.

6.4 Initial lubrication

The machine must be serviced at all lubrication points before it is placed into service (see chapter 11.1 for lubrication).

6.5 Installation

Unbolt the lathe from the shipping crate bottom.

Use heavy duty fibre belt for lifting the machine off the pallet.



Warning:

**The machine is heavy (200 kg)!
Assure the sufficient load capacity and proper condition of your lifting devices.
Never step underneath suspended loads.**

To avoid tipping, the machine must be bolted down with four anchor bolts (not provided).

To avoid twisting the bed, make sure the setup surface is absolutely flat and level.

Loosen anchor bolts, shim and tighten bolts if needed.

The machine must be level to be accurate!

7.0 Electrical Connections



WARNING:

**All electrical connections must be done by a qualified electrician in compliance with all local codes and ordinances.
Failure to comply may result in serious injury.**

The PBD-2555V Metal Lathes are rated at 1~230V, PE, 50Hz power supply. The machines come with a plug designed for use on a circuit with a *grounded outlet*.

Mains connection and any extension cords and plugs used must comply with the information on the machine license plate.

The mains connection must have a 16A surge-proof fuse.

Only use extension cords marked H07RN-F, with wires 1,5mm² or more.

The total length of cord may not exceed 18 Meter

Power cords and plugs must be free from defects.

Connections and repairs to the electrical equipment may only be carried out by qualified electricians.

The machine is equipped with 1.8m power cord and plug.

Before connecting to power source, be sure main switch is in off position.

7.1 Grounding instructions

This tool must be grounded. In the event of a malfunction or breakdown, grounding provides a path of least resistance for electric current to reduce the risk of electric shock. This tool is equipped with an electric cord having an equipment-grounding conductor and a grounding plug. The plug must be inserted into an appropriate outlet that is properly installed and grounded in accordance with all local codes and ordinances.



WARNING:

Improper connection of the equipment-grounding conductor can result in a risk of electric shock. Check with a qualified electrician or service person if you are in doubt as to whether

the outlet is properly grounded. Do not modify the plug provided with the tool.

The green/yellow conductor is the equipment-grounding conductor. If repair or replacement of the electric cord or plug is necessary, do not connect the equipment-grounding conductor to a live terminal.

Use only 3-wire extension cords with grounding plugs.

Repair or replace damaged or worn cord immediately.

7.2 Extension cords

The use of extension cords is discouraged; try to position machines near the power source. If an extension cord is necessary, make sure it is in good condition.

An undersized cord will cause a drop in line voltage resulting in loss of power and overheating.

Only use extension cords marked H07RN-F, with wires 1,5mm² or more.

The total length of cord may not exceed 18 Meter

Extension cords and plugs must be free from defects.

8.0 Adjustments

8.1 Changing spindle speed range

The speeds of the lathe are controlled by the variable speed select knob (W, Fig 5-2) as well as the position of the belt on the pulleys (Fig 8-1).

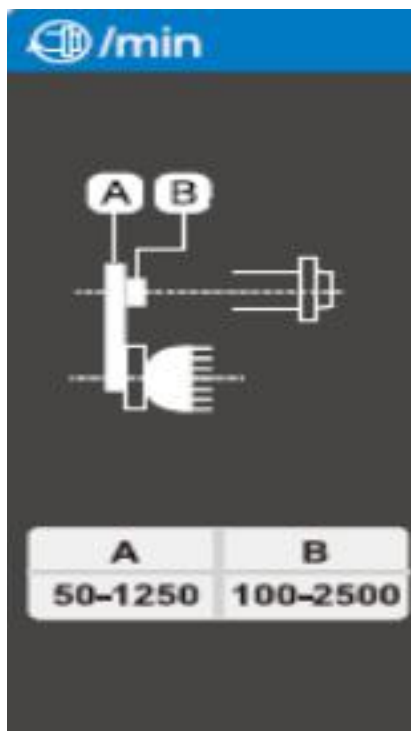


Figure 8-1: Spindle speed range setup

A 50~1250 RPM for maximum torque.

B 100~2500 RPM for maximum speed.

Remove the pulley cover (C, Fig 5-1) to change the belt position. Reinstall the pulley cover.

8.2 Change gear setup

Remove the pulley cover.

The rotational speed of the lead screw, and hence the rate of feed of the cutting tool, is determined by the gear configuration and by the feed speed select lever (R, Fig 5-2).

Assemble the gears with desired setup (Fig 8-2)

	Z1	Z2	Z3	Z4	L
Z1	60	70			
Z2	30	25			
Z3	75	75			
Z4	20	20			
L	80	80			

	I	II	III
I	0.10	0.07	
II	0.20	0.14	
III	0.40	0.28	

Z1	Z2	Z3	Z4	L	I	II	III
-	-	-	-	-	-	-	-
50	50	45	45	50	50	60	
75	80	80	80	80	80	80	
20	30	50	50	60	70	60	
80	75	75	60	60	60	45	
0.20	0.30	0.50	0.625	0.75	0.875	1.00	
0.40	0.60	1.00	1.25	1.50	1.75	2.00	
0.80	1.20	2.00	2.50	3.00	3.50	4.00	

Z1	Z2	Z3	Z4	L	I	II	III
-	-	-	-	-	-	-	-
50	50	45	60	45	50	50	
70	85	75	50	80	85	85	
60	60	50	45	50	60	45	
65	60	60	85	65	80	70	
8.0	9.0	9.5	10	11	12	14	
16	18	19	20	22	24	28	
32	36	38	40	44	36	56	

Figure 8-2: Change gear setup

Adjust gears to mesh with upper and lower gear.

Placing ordinary paper in between gears helps to adjust for correct gear spacing (... remove the paper afterwards!).

Reinstall the pulley cover.

8.3 Taper turning with tailstock

Mount the work piece fitted with the drive dog between centres. The drive dog is driven by the face plate.

Lubricate the tailstock centre with grease to prevent tip from overheating.

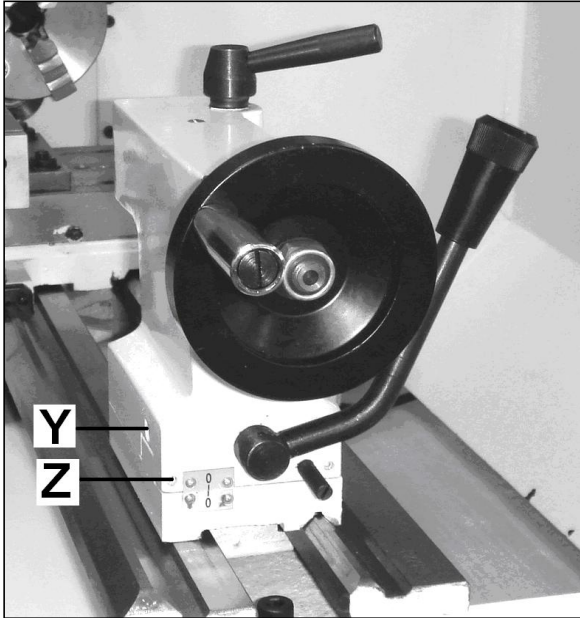


Figure 8-3: Taper turning between centres

To turn a taper, offset the tailstock, loosen the locking screws (Z, Fig 8-3) and use screws (Y) to adjust.

After taper turning, the tailstock must be returned to its original position. Turn a test piece and adjust until the machine turns a perfect cylinder.

8.4 Taper turning with top slide

By angling the top slide, tapers may be turned.

Loosen two hex nuts (A, Fig 8-4) and rotate the top slide according to the graduated scale (B).

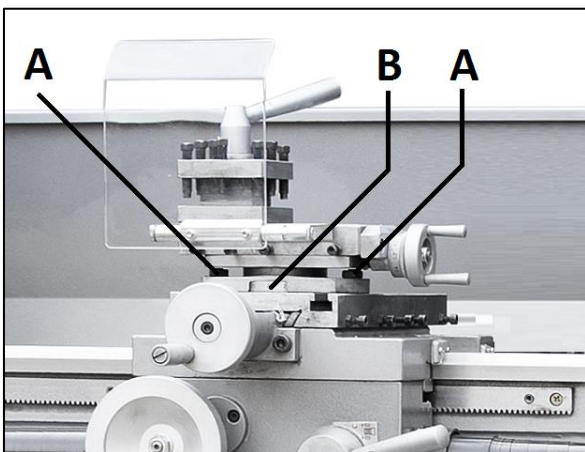


Figure 8-4: Taper turning with top slide

8.5 Three jaw universal chuck

With this universal chuck, cylindrical, triangular and hexagonal stock may be clamped (Fig 8-5).

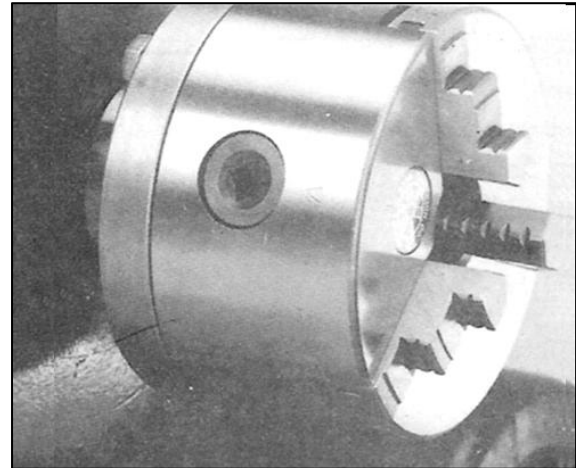


Figure 8-5: Three jaw universal chuck

To hold big diameter stock, a set of OD chuck jaws is supplied. The jaws need to be inserted to the chuck in the correct order. Use Molykote Paste G (or adequate grease) to lubricate the jaws.

8.6 Four jaw independent chuck (Optional)

This chuck has four independently adjustable chuck jaws (Fig 8-6).

These permit the holding of square and asymmetrical pieces and enables accurate concentric set-up of cylindrical pieces.



Figure 8-6: Four jaw independent chuck

8.7 Live centre (Optional)

The live centre (Fig 8-7) is mounted in ball bearings. Its use is highly recommended for speeds above 500 RPM.

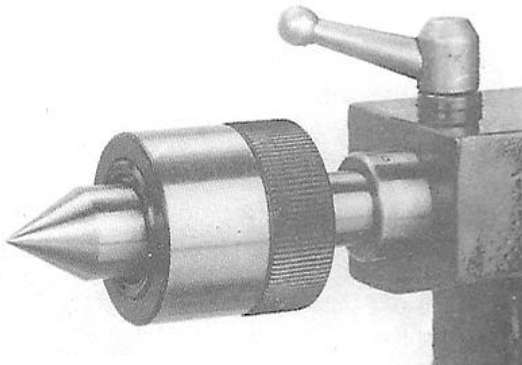


Figure 8-7: Live centre

To eject the live centre, fully retract the tailstock quill.

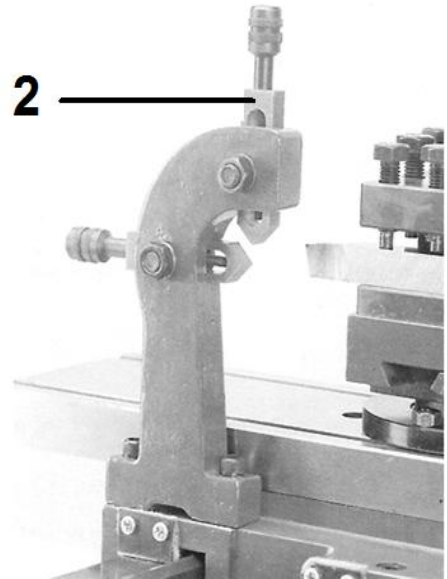


Figure 8-9: Follow rest

Set the fingers (2) snug but not overly tight. Lubricate the fingers to prevent premature wear.

8.8 Steady rest and follow rest (Optional)

The rests prevent flexing of long and thin work pieces under pressure from the tool.

The steady rest (Fig 8-8) serves as a support for longer shafts and ensures a safe and chatter free operation.

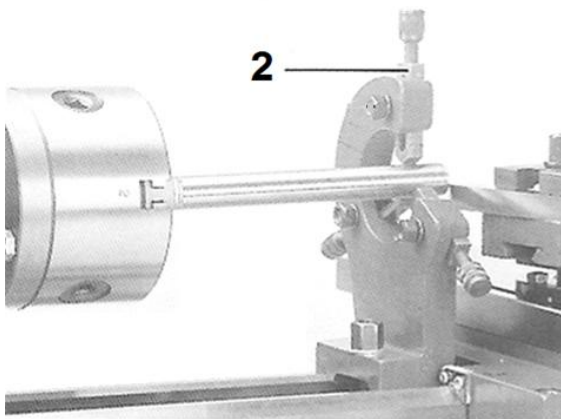


Figure 8-8: Steady rest

The follow rest (Fig 8-9) is mounted on the carriage and follows the movement of the tool.

9.0 Operating Controls

Refer to Figure 9-1:

- R Feed select knob
- S Feed forward/off/reverse
- T Coolant ON/OFF
- U Spindle power ON/OFF
- V Spindle forward/reverse
- W Variable speed select knob
- X Emergency Stop
- Y Spindle speed display

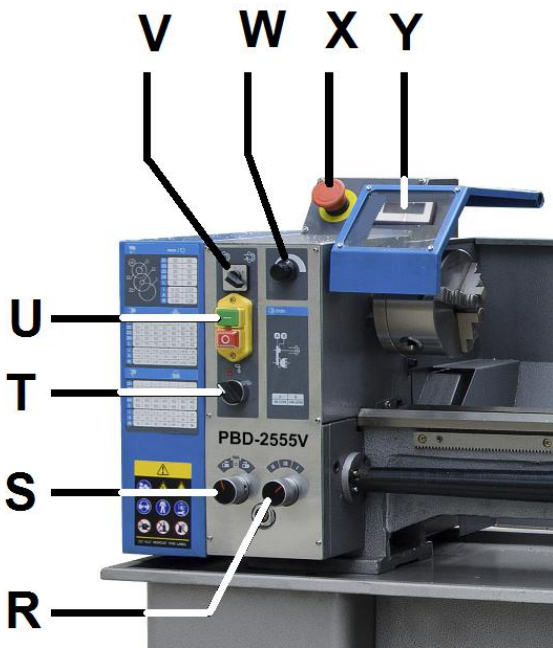


Figure 9-1: Operating Controls

10.0 Machine Operation

10.1 Cutting execution

Before starting the machine check the proper chucking.

Close the chuck guard and pulley cover before you start the machine.

Select running direction, forward or reverse (V, Fig 9-1).

You can start the machine with the green ON-button (U). The red OFF-button stops the machine.

The speed can be adjusted with the variable speed select knob (W).

The spindle speed will be shown on the display (Y).

The emergency stop button (X) stops all machine functions.

Turn emergency stop button clockwise to reset.

The work lamp (G, Fig 5-1) operates independently; ON/OFF switch is on top of lamp housing.

Unplug the machine if not in use.

10.2 Chucking

Do not exceed the max speed of the work holding device.

Jaw teeth and scroll must always be fully engaged. Otherwise chuck jaws may break and fly off in rotation (Fig 10-1).

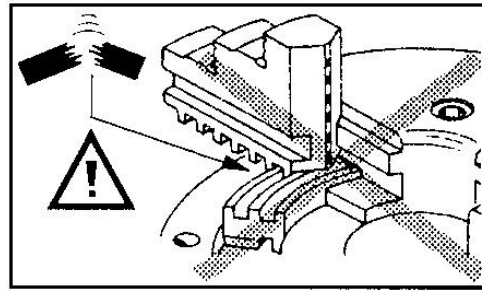


Figure 10-1: Poor jaw engagements

Avoid long workpiece extensions. Parts may bend (Fig 10-2) or fly off (Fig 10-3). Use tailstock or rest to support.

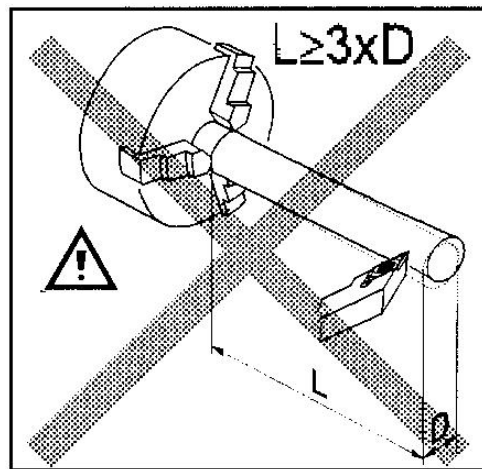


Figure 10-2: Workpiece too long

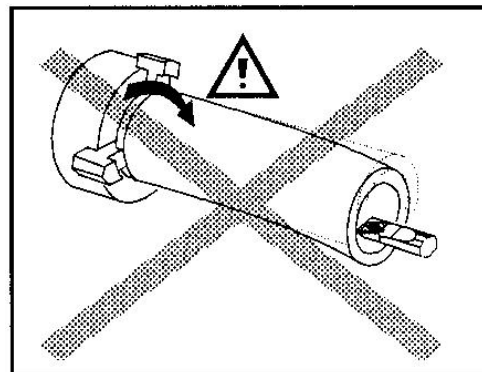


Figure 10-3: Workpiece too long

Avoid short clamping contact (A, Fig 10-4) or clamping on a minor diameter (B). Face locate workpiece for added support

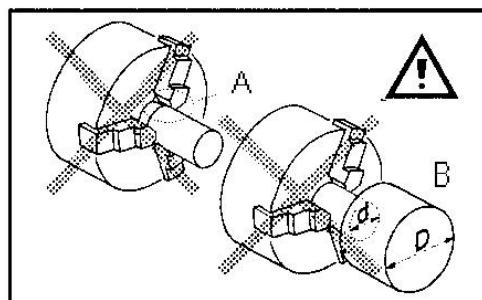


Figure 10-4: Poor clamping

10.3 Cutting Tool Setup

The cutting angle is correct when the cutting edge is in line with the centre axis of the work piece. Use the point of the tailstock centre as a gauge and shims under the tool to obtain the correct centre height (Fig 10-5).

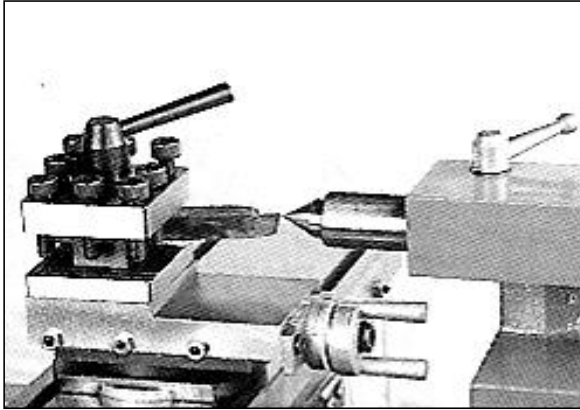


Figure 10-5: Cutting tool setup

Use a minimum of two screws to clamp the cutting tool.

Avoid large tool extensions.

10.4 Recommended spindle speeds

ATTENTION:

Generally speaking, the smaller the cut diameter, the greater the RPM required. Soft materials require higher speeds; hard metals slower speeds.

Metal is usually machined with coolant or cutting oil applied.

Recommended speeds for cutting 10mm diameter, with HSS tools (High speed steel tools):

- Plastic: 2500 RPM
- Aluminium:..... 2500 RPM
- Brass: 1000 RPM
- Cast iron:..... 1000 RPM
- Mild steel:..... 800 RPM
- High carbon steel:..... 600 RPM
- Stainless steel:..... 300 RPM

For carbide tools (HM), 5 times higher speeds can be chosen.

For example:

Turning mild steel at a diameter of 20mm allows

- With HSS tool..... 400 RPM
- With carbide tool.....2000 RPM

10.5 Manual turning

Apron travel (Z, Fig 10-6), cross travel (AA) and top slide travel (BB) can be operated for longitudinal and cross feeding.

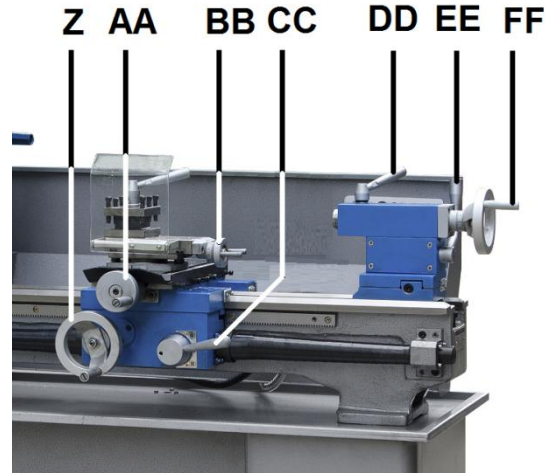


Figure 10-6: Machine controls

The correct feed depends on the material to be cut, the cutting operation, the type of tool, the rigidity of the work piece chucking, the depth of cut and the desired surface quality.

10.6 Turning with auto feed

Move the half-nut lever (CC, Fig 10-6) down, to engage the automatic longitudinal feed. Move it up to disengage

Three feed rates are readily available by rotating the feed select knob (R, Fig 9-1).

For example:

Operation	feed/rev	select knob
Stock removal	0,28mm.....	III
Finishing cut	0.14mm.....	II
Micro finishing cut	0.07mm.....	I

NOTE: Three additional feed rates are available with different change gear setup (Fig 10-7).

	mm / ⌀	
Z1	60	70
Z2	30	25
Z3	75	75
Z4	20	20
L	80	80
I	0.10	0.07
II	0.20	0.14
III	0.40	0.28

Figure 10-7: Available feed rates

The correct feed depends on the material to be cut, the cutting operation, the type of tool, the rigidity of the work piece chucking, the depth of cut and the desired surface quality.

When roughing big diameters reduce the depth of cut!

10.7 Thread cutting

Threading is performed in multiple passes with a threading tool.

Each depth of cut should be about 0,2mm and become less for the finishing passes.

A) To cut inch and metric threads

Set the machine up for the desired threading pitch (see chapter 8.1).

Select the lowest possible spindle speed.

Engage the halve nut (CC, Fig 10-6).

NOTE: The halve nut must stay engaged during the entire threading process.

- Set the tool up for the threading pass.
- Start the motor.
- When the tool approaches the end of cut, stop the motor and at the same time back the tool out, so that it clears the thread diameter.
- Start the motor in reverse direction, let the cutting tool travel back to the starting point.

Repeat these steps until you have obtained the desired results.

B) To cut metric threads with pitch of

0,2/0,3/0,5/0,6/0,75/1,0/1,5/3,0 mm:

The halve nut can be opened at the end of cut, rather than the motor being stopped and reversed.

Note: For thread pitches of 0,2/0,3/0,5/0,6/0,75/1,0/1,5/3 mm the half nut can be engaged at any point. (lead screw pitch = 3 mm = can be divided by thread pitch).

10.8 Drilling operation

Use a drill chuck with MT2 arbor (option) to clamp centre drills and twisted drills in the tailstock (Fig 10-8).

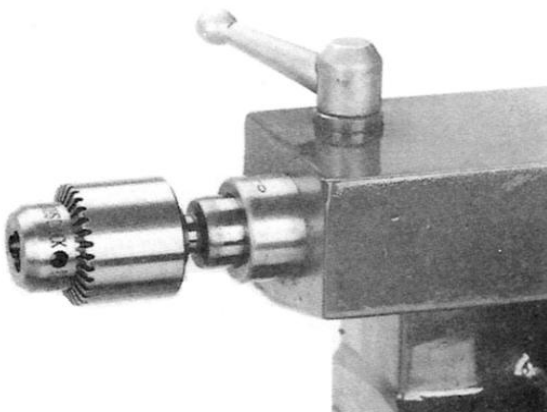


Figure 10-8: Drilling operation

For recommended speeds refer to section 10.4

To eject the drill chuck, fully retract the tailstock quill.

11.0 User-Maintenance



WARNING:

Before any intervention on the machine, disconnect it from electrical supply, pull the mains plug. Failure to comply may cause serious injury.

An important security factor is the cleaning of the machine, of bed, carriage and slides, of the floor and the surrounding places.

Loose objects could come into contact with the moving chuck or workpiece, creating hazards.

Empty the chip tray regularly.

Replace the coolant regularly, follow manufacturer's advice.

Check that bolts are tight and electrical cords are in good condition. If an electrical cord is worn, cut, or damaged in any way, have it replaced immediately.

11.1 Lubrication

Spindle bearings are pre-lubricated and sealed, and require no further lubrication.

Weekly apply oil:

DIN 51502 CG ISO VG 68

(e.g. BP Maccurat 68, Castrol Magna BD 68, Mobil Vectra 2)

- 1...oil balls on change gear hubs
- 2...oil bed ways lightly
- 3...oil tailstock quill over entire length
- 4...oil lead screw on entire length
- 5...oil ball on lead screw bracket
- 6...oil balls on top slide
- 7...oil balls on tailstock
- 8...oil balls on carriage
- 9...oil balls on apron

Monthly apply grease:

DIN 51807-1 non slinging grease

(e.g. BP L2, Mobilgrease Special).

- 10...grease teeth of change gears
- 11...grease rack over entire length

Gear box oil:

DIN 51517-2 CL ISO VG 68

(e.g. Castrol Hyspin AWS 68, Mobil DTE Oil Heavy Medium)

Oil must be up to indicator mark in oil sight glass.

In case, fill up with oil by removing plug on right side of gear box.

12.0 Troubleshooting

Symptom	Possible Cause	Correction *
Lathe will not start.	Lathe unplugged from wall, or motor.	Check all plug connections.
	Fuse blown, or circuit breaker tripped.	Replace fuse, or reset circuit breaker.
	Cord damaged.	Replace cord.
	Chuck guard not closed.	Close chuck guard.
	Pulley cover removed	Install pulley cover
Lathe does not come up to speed.	Extension cord too light or too long.	Replace with adequate size and length cord.
	Low current.	Contact a qualified electrician.
Lathe vibrates excessively.	Base on uneven surface.	Locate lathe on even floor.
	Lathe not bolted to the floor	Bolt machine to the floor
	Unbalanced workpiece	Reduce speed
	Workpiece deflection	Improve chucking length or diameter, support on tailstock end
	Tool deflection	Reduce tool length
	Slide backlash	Adjust slides
	Slides running dry	Lubricate with oil
	Dull tool tip	Re-sharpen or change tool
	Chip load too high	Reduce depth of cut or feed
Noisy operation	Dry change gear hubs.	Lubricate with oil.
	Dry change gears	Lubricate with grease.
Tool tip burns	Cutting speed too high	Reduce spindle speed
	Dull tool tip.	Re-sharpen or change tool
	Dry cutting.	Use coolant.
	Feeding too slowly.	Increase feed rate.
Machine turns a taper.	Tailstock alignment is offset.	Align tailstock position.
	Machine bed is twisted.	Stand supporting surface must be flat. Shim if needed
	Workpiece deflection.	Reduce depth of cut or feed
Drill chuck or arbor does not stay in place.	Dirt, grease, etc. on arbor, chuck, or tailstock quill	Clean all mating surfaces thoroughly with a cleaner-degreaser.

* **WARNING:** Some corrections may require a qualified electrician.

Table 1

13.0 Environmental Protection

Protect the environment.

Dispose all packaging material in an environmental friendly manner.

Dispose coolant in an environmentally friendly manner.

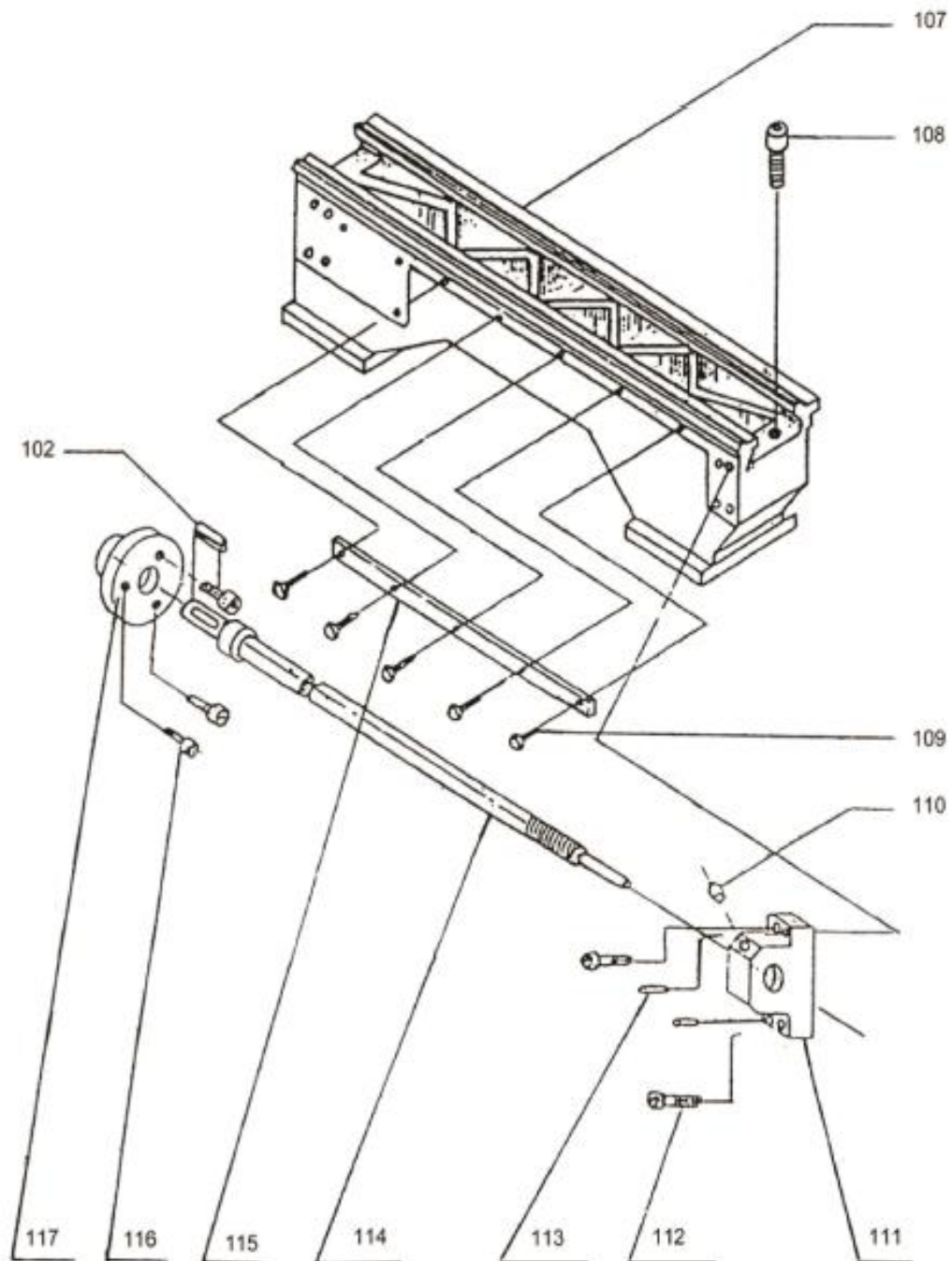
Your appliance contains valuable materials which can be recovered or recycled. Please leave it at a specialized institution.

14.0 Available Accessories

Refer to the **PROMAC** price list.

15.0 Replacement Parts

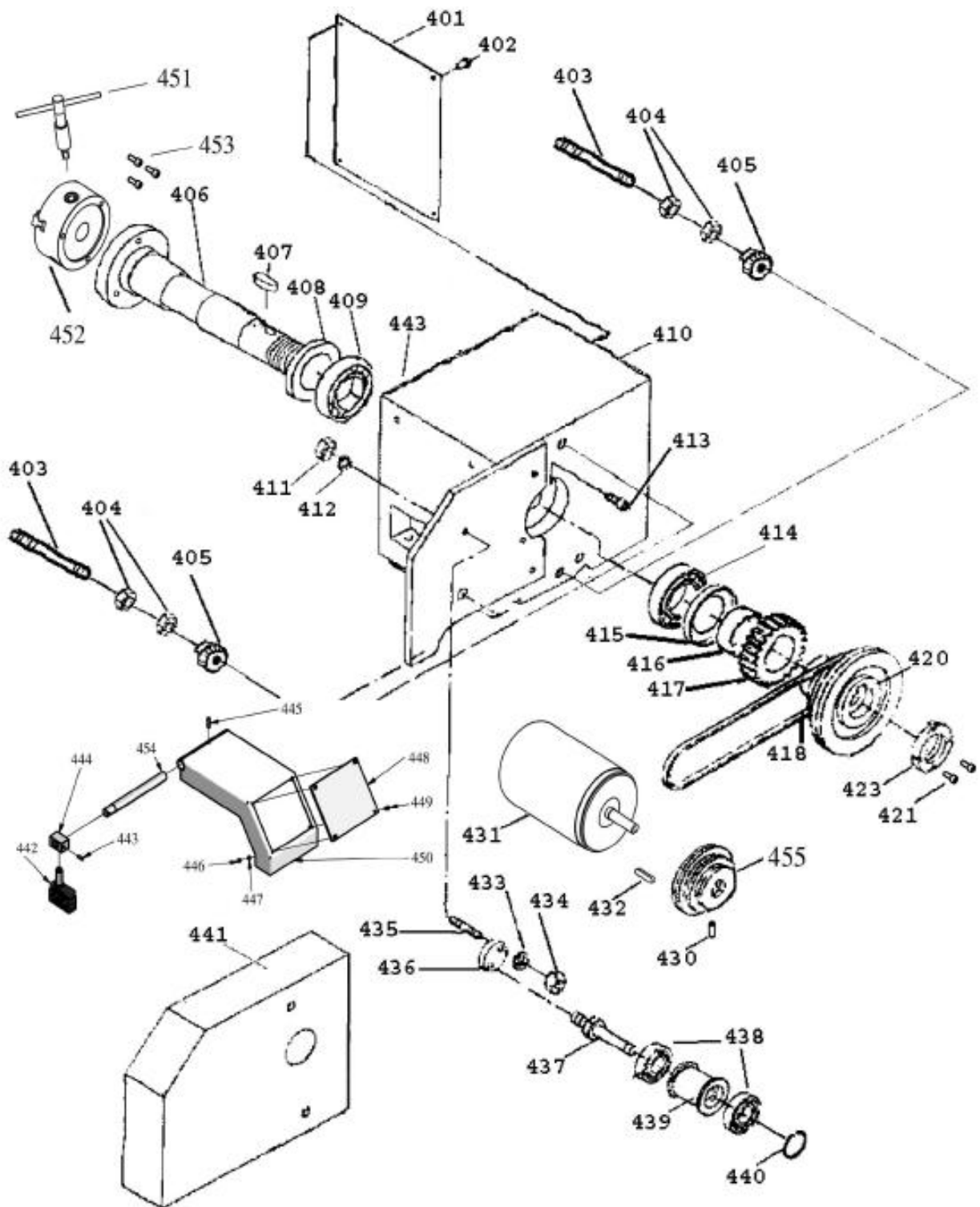
PBD-2555V Assembly Breakdown -1



PBD-2555V Parts List for Breakdown -1

Index No.	Part No.	Description	Size	Qty.
102.....	PBD2555V-1.....	FLAT KEY.....	4 x 12 mm.....	1
107.....	PBD2555V-1-107.....	LATHE BED.....		1
108.....	PBD2555V-2.....	HEXAGON SOCKET SCREW M8x12.....	M8x12.....	1
109.....	PBD2555V-3.....	HEXAGON SOCKET SCREW M5x12.....	M5x12.....	5
110.....	PBD2555V-4.....	BALL OILER.....	6.....	1
111.....	PBD2555V-1-111.....	RIGHT BEARING PEDESTAL		1
112.....	PBD2555V-5.....	HEXAGON SOCKET SCREW M6x16.....	M6x16.....	4
113.....	PBD2555V-6.....	FLAT KEY TAPER PIN 6x22.....	DIN6885.....	2
114.....	PBD2555V-1-114.....	LEADSCREW.....		1
115.....	PBD2555V-1-115.....	RACK.....		1
116.....	PBD2555V-7.....	HEXAGON SOCKET SCREW M4x16.....	M4x16.....	3
117.....	PBD2555V-1-117.....	ADJUSTING FLANGE.....		1

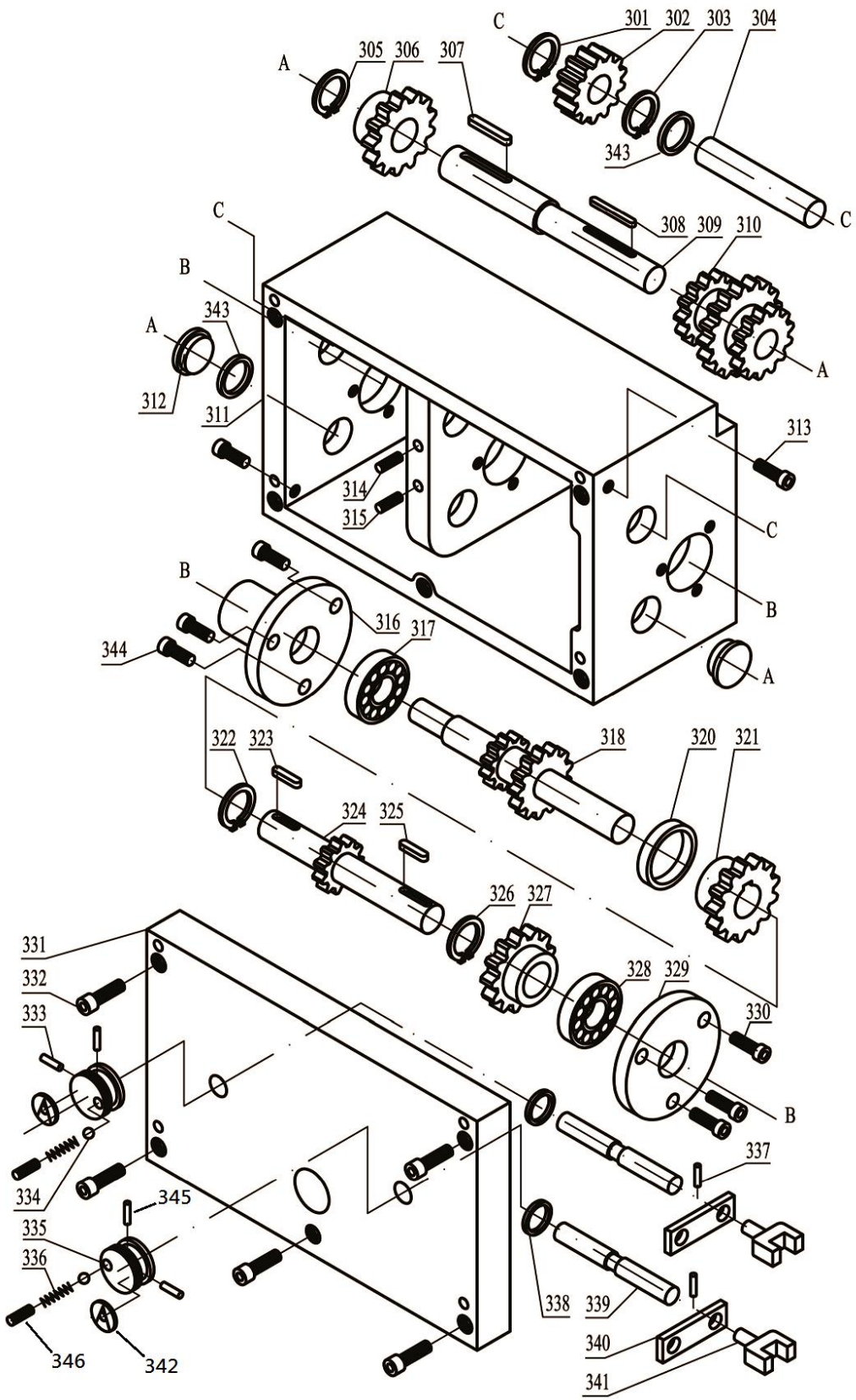
PBD-2555V Assembly Breakdown -2



PBD-2555V Parts List for Breakdown -2

Index No.	Part No.	Description	Size	Qty.
401.....	PBD2555V-2-401.....	CHARACTERISTICS PLATE.....		1
402.....	PBD2555V-8.....	FASTENING SCREW.....	M 4x10.....	6
403.....	PBD2555V-2-403.....	PROTECTIVE COVER OF THREADED ROD.....		2
404.....	PBD2555V-9.....	NUT.....	M10.....	4
405.....	PBD2555V-2-405.....	KNURL NUT.....		2
406.....	PBD2555V-2-406.....	WORK SPINDLE.....		1
407.....	PBD2555V-10.....	FEATHER KEY.....	8x45.....	1
408.....	PBD2555V-2-408.....	RING.....		1
409.....	PBD2555V-11.....	BEARING.....	32009.....	1
410.....	PBD2555V-2-410.....	HEADSTOCK.....		1
411.....	PBD2555V-12.....	NUT.....	M10.....	1
412.....	PBD2555V-13.....	WASHER.....	10.....	1
413.....	PBD2555V-14.....	HEXAGON SOCKET SCREW.....	M8x25.....	1
414.....	PBD2555V-15.....	BEARING.....	32009.....	1
415.....	PBD2555V-2-415.....	RING.....		1
416.....	PBD2555V-2-416.....	BUSH.....		1
417.....	PBD2555V-2-417.....	GEARWHEEL.....		1
418.....	PBD2555V-2-418.....	SHORT V-BELT.....	7M-710.....	1
420.....	PBD2555V-2-420.....	PULLEY COMBINATION WORK SPINDLE.....		1
421.....	PBD2555V-16.....	ALLEN SCREWS.....	M5x12.....	2
423.....	PBD2555V-17.....	SHAFT NUT (GROOVE NUT).....		1
430.....	PBD2555V-18.....	THREADED PIN.....	ISO 4028-M6X10.....	1
431.....	PBD2555V-2-431.....	MOTOR.....	110ZYT59T1.....	1
432.....	PBD2555V-19.....	FLAT KEY.....	4 x 30 mm.....	1
433.....	PBD2555V-20.....	WASHER.....		1
434.....	PBD2555V-21.....	HEXAGONAL NUT M8.....	DIN439.....	1
435.....	PBD2555V-2-435.....	ALLEN SCREWS.....		1
436.....	PBD2555V-2-436.....	ECCENTRIC OF TEN-SION PULLEY.....		1
437.....	PBD2555V-2-437.....	SHAFT OF TENSION PULLEY.....		1
438.....	PBD2555V-22.....	BEARING 6001RZ.....	6001RZ.....	2
439.....	PBD2555V-2-439.....	TENSION PULLEY.....		1
440.....	PBD2555V-23.....	CIRCLIP.....		1
441.....	PBD2555V-2-441.....	HANGING WHEEL BOX COVER.....		1
442.....	PBD1830V-151.....	MICRO SWITCH.....	LXW5-11Q.....	1
443.....	PBD2555V-24.....	HEXAGONAL CYLINDRICAL SIDE SCREW SET.....	M5x12.....	1
444.....	PBD2555V-2-444.....	SHAFT SLEEVE.....		1
445.....	PBD2555V-25.....	CYLINDRICAL PIN.....	3x20.....	1
446.....	PBD2555V-26.....	NUT.....	M4.....	4
447.....	PBD2555V-27.....	FLAT WASHER.....	Φ4.....	4
448.....	PBD2555V-2-448.....	PROTECTIVE GLASSES.....		1
449.....	PBD2555V-28.....	SOCKET HEAD CAP SCREW.....	M4x10.....	4
450.....	PBD2555V-2-450.....	CHUCK SHIELD.....		1
451.....	PBD2555V-2-451.....	KEY FOR 3 - JAW CHUCK.....	10mm.....	1
452.....	PBD2555V-157.....	THREE JAW CHUCK 125mm.....	K11-125.....	1
.....	PBD2555V-158.....	FOUR JAW CHUCK 125mm.....	not shown.....	1
.....	PBD2555V-159.....	FACE PLATE.....	not shown.....	1
453.....	PBD2555V-29.....	HEXAGON SOCKET SCREW.....	M8X35.....	3
454.....	PBD2555V-2-454.....	CHUCK SHIELD SHAFT.....		1
455.....	PBD2555V-2-455.....	MOTOR PULLEY.....		1

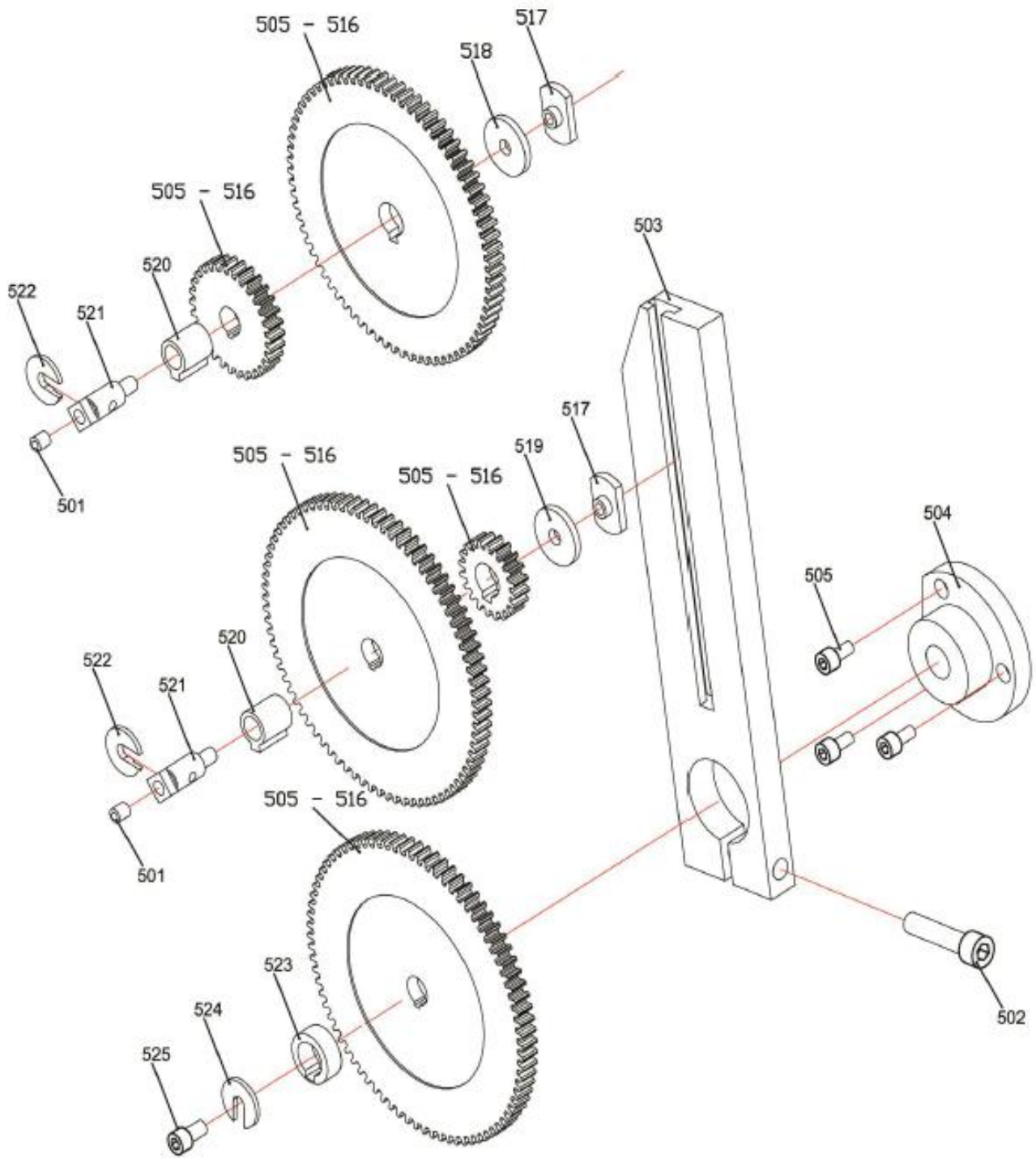
PBD-2555V Assembly Breakdown -3



PBD-2555V Parts List for Breakdown -3

Index No.	Part No.	Description	Size	Qty.
301.....	PBD2555V-30.....	LOCK WASHER	Φ 12.....	1
302.....	PBD2555V-3-302.....	GEARWHEEL.....		1
303.....	PBD2555V-31.....	LOCK WASHER	Φ 12.....	1
304.....	PBD2555V-3-304.....	SHAFT C.....		1
305.....	PBD2555V-3-305.....	CIRCLIP FOR SHAFT Φ 16.....		1
306.....	PBD2555V-3-306.....	GEARWHEEL.....		1
307.....	PBD2555V-32.....	FEATHER KEY.....	4x30.....	1
308.....	PBD2555V-33.....	FEATHER KEY.....	4x60.....	1
309.....	PBD2555V-3-309.....	SHAFT A.....		1
310.....	PBD2555V-3-310.....	GEARWHEEL COMBINATION.....		1
311.....	PBD2555V-3-311.....	GEAR WHEEL BOX.....		1
312.....	PBD2555V-3-312.....	PLUG.....		2
313.....	PBD2555V-3-313.....	SET SCREW ZG3/8.....	ZG 3/8.....	2
314.....	PBD2555V-34.....	HEXAGON SOCKET SCREW.....	M 6x10.....	1
315.....	PBD2555V-35.....	HEXAGON SOCKET SCREW.....	M 6x10.....	1
316.....	PBD2555V-3-316.....	FLANGE.....		1
317.....	PBD2555V-3-317.....	BEARING.....	180202.....	1
318.....	PBD2555V-3-318.....	GEARWHEEL.....		1
319.....	PBD2555V-3-319.....	SHAFT	1215.....	1
320.....	PBD2555V-3-320.....	SHAFT RING.....		1
321.....	PBD2555V-3-321.....	GEARWHEEL.....		1
322.....	PBD2555V-36.....	CIRCLIP.....	Φ 15.....	1
323.....	PBD2555V-37.....	FEATHER KEY.....	4x14.....	1
324.....	PBD2555V-3-324.....	LONG-FACE PINION.....		1
325.....	PBD2555V-38.....	FEATHER KEY.....	4x10.....	1
326.....	PBD2555V-39.....	LOCK WASHER	Φ 15.....	1
327.....	PBD2555V-3-327.....	GEARWHEEL.....		1
328.....	PBD2555V-3-328.....	BEARING.....	180202.....	1
329.....	PBD2555V-3-329.....	FLANGE COVER OF LEADSCREW.....		1
330.....	PBD2555V-40.....	HEXAGON SOCKET SCREW	M 6x12.....	3
331.....	PBD2555V-3-331.....	FRONT PLATE.....		1
332.....	PBD2555V-41.....	HEXAGON SOCKET SCREW M6X20.....	M6X20.....	5
333.....	PBD2555V-42.....	SPRING PIN, ISO8752.....	A5x30.....	2
334.....	PBD2555V-43.....	STEEL BALL.....	Φ 5.....	2
335.....	PBD2555V-3-335.....	SELECTOR SWITCH.....		2
336.....	PBD2555V-44.....	SPRING	0, 8x45x11.....	2
337.....	PBD2555V-45.....	PIN.....	Φ 5x20.....	2
338.....	PBD2555V-46.....	O-RING.....	1800710.....	2
339.....	PBD2555V-3-339.....	SHAFT		2
340.....	PBD2555V-3-340.....	PLATE.....		2
341.....	PBD2555V-3-341.....	GEAR FORK.....		2
342.....	PBD2555V-3-342.....	SELECTOR SWITCH MARKING.....		2
343.....	PBD2555V-3-343.....	RUBBER SEALING RING 14.0X2.65.....		2
344.....	PBD2555V-3-344.....	HEX SOCKET HEAD SCREW.....	M5X12.....	3
345.....	PBD2555V-3-345.....	HEXAGON SOCKET SCREW.....		1
346.....	PBD2555V-3-346.....	HEXAGON SOCKET SCREW.....		1

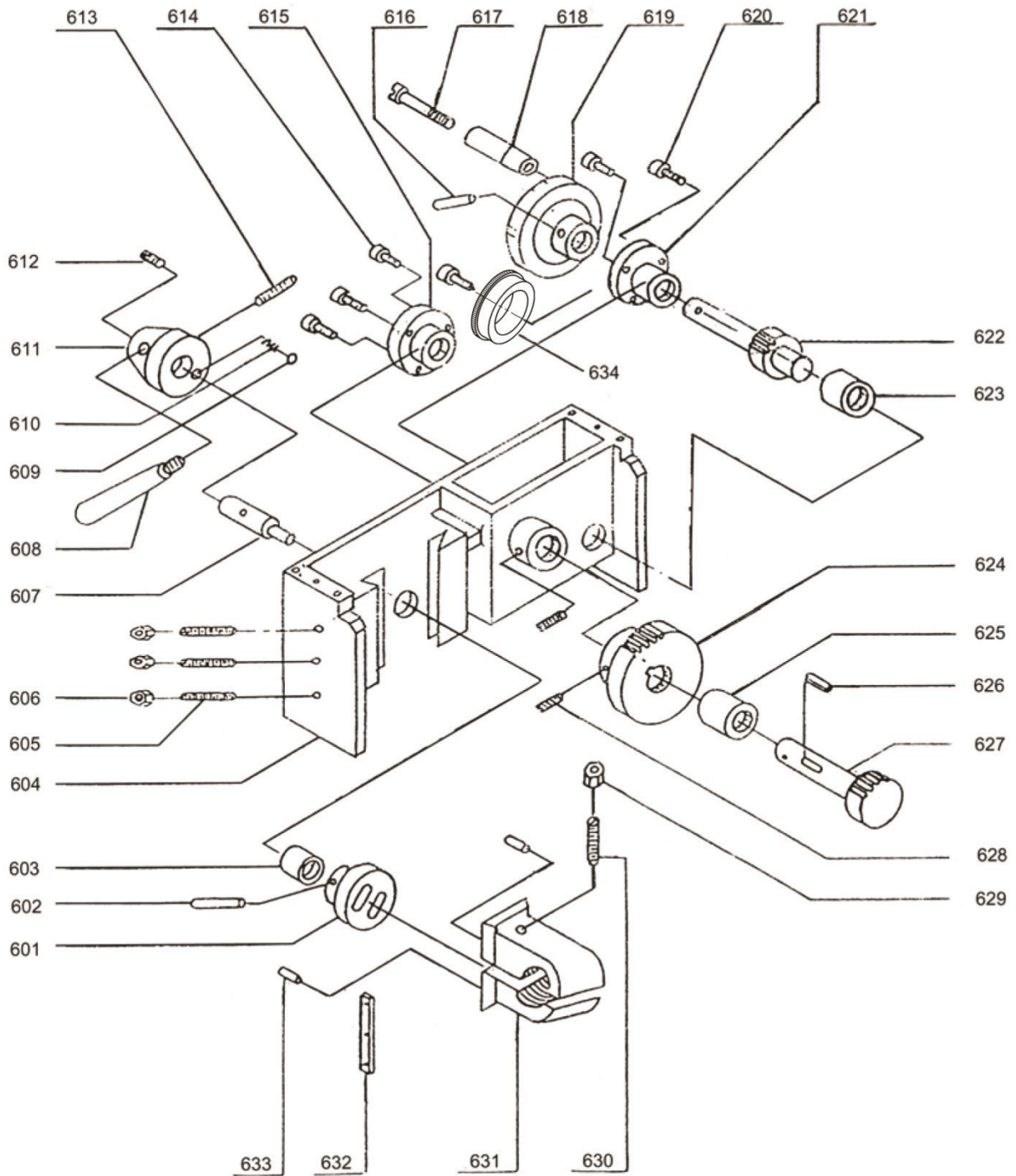
PBD-2555V Assembly Breakdown -4



PBD-2555V Parts List for Breakdown -4

Index No.	Part No.	Description	Size	Qty.
501.....	PBD2555V-47.....	OIL NIPPLE.....		2
502.....	PBD2555V-48.....	HEXAGONAL SOCKET HEAD SCREW DIN 912.....	M 8x35.....	1
503.....	PBD2555V-4-503.....	CHANGE GEAR RAIL.....		1
504.....	PBD2555V-4-504.....	BEARING PEDESTAL.....		1
505.....	PBD2555V-49.....	HEXAGONAL SOCKET HEAD SCREW DIN 912.....	M5x10.....	3
506.....	PBD2555V-4-506.....	GEAR Z85, Module 1.5.....		1
507.....	PBD2555V-4-507.....	GEAR Z80, Module 1.5.....		1
508.....	PBD2555V-4-508.....	GEAR Z75, Module 1.5.....		1
509.....	PBD2555V-4-509.....	GEAR Z70, Module 1.5.....		1
510.....	PBD2555V-4-510.....	GEAR Z65, Module 1.5.....		1
511.....	PBD2555V-4-511.....	GEAR Z60, Module 1.5.....		2
512.....	PBD2555V-4-512.....	GEAR Z50, Module 1.5.....		1
513.....	PBD2555V-4-513.....	GEAR Z45, Module 1.5.....		1
514.....	PBD2555V-4-514.....	GEAR Z30, Module 1.5.....		1
515.....	PBD2555V-4-515.....	GEAR Z25, Module 1.5.....		1
516.....	PBD2555V-4-516.....	GEAR Z20, Module 1.5.....		1
517.....	PBD2555V-4-517.....	T-NUT.....	M5.....	2
518.....	PBD2555V-4-518.....	SPACER.....	1,5mm.....	1
519.....	PBD2555V-4-519.....	SPACER.....	3mm.....	1
520.....	PBD2555V-4-520.....	BUSHING.....		2
521.....	PBD2555V-4-521.....	AXLE SHAFT.....		2
522.....	PBD2555V-4-522.....	C-WASHER.....		2
523.....	PBD2555V-4-523.....	COLLAR SPREADER.....		1
524.....	PBD2555V-4-524.....	C-WASHER.....		1
525.....	PBD2555V-50.....	HEXAGONAL SOCKET HEAD SCREW DIN 912.....	M6x10.....	1

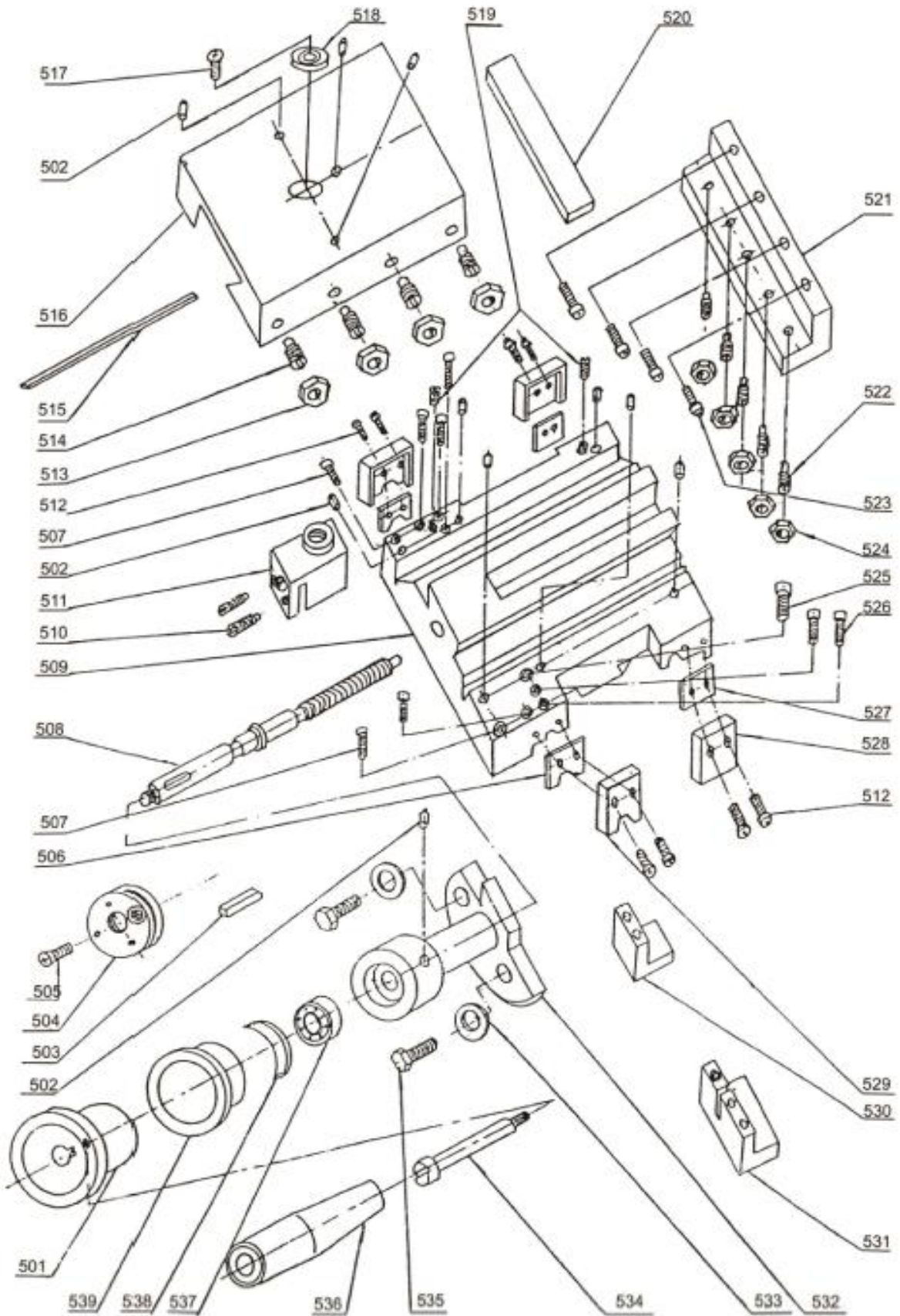
PBD-2555V Assembly Breakdown -5



PBD-2555V Parts List for Breakdown -5

Index No.	Part No.	Description	Size	Qty.
601.....	PBD2555V-5-601.....	ECCENTER.....		1
602.....	PBD2555V-51.....	TAPER PIN.....	3x20.....	1
603.....	PBD2555V-5-603.....	BUSH.....		1
604.....	PBD2555V-5-604.....	HOUSING.....		1
605.....	PBD2555V-52.....	HEXAGON SOCKET SCREW.....	M5X30.....	3
606.....	PBD2555V-53.....	NUT M5.....	DIN439.....	3
607.....	PBD2555V-5-607.....	SHAFT.....		1
608.....	PBD2555V-5-608.....	HANDLE.....		1
609.....	PBD2555V-54.....	STEEL BALL 5.....		1
610.....	PBD2555V-55.....	COMPRESSION SPRING.....	0.8x5x25.....	1
611.....	PBD2555V-5-611.....	ENGAGING HUB.....		1
612.....	PBD2555V-56.....	HEXAGON SOCKET SCREW.....	M6x10.....	1
613.....	PBD2555V-57.....	HEXAGON SOCKET SCREW.....	M4x8.....	3
614.....	PBD2555V-58.....	HEXAGON SOCKET SCREW.....	M4x8.....	3
615.....	PBD2555V-5-615.....	FLANGE PEDESTAL.....		1
616.....	PBD2555V-59.....	TAPER PIN.....	3x30.....	1
617.....	PBD2555V-5-617.....	HANDLE BAR.....		1
618.....	PBD2555V-5-618.....	HANDLE.....		1
619.....	PBD2555V-5-619.....	HANDWHEEL.....		1
620.....	PBD2555V-60.....	HEXAGON SOCKET SCREW.....	M4x8.....	3
621.....	PBD2555V-5-621.....	FLANGE PEDESTAL.....		1
622.....	PBD2555V-5-622.....	PINION SHAFT.....		1
623.....	PBD2555V-5-623.....	BUSH.....		1
624.....	PBD2555V-5-624.....	GEARWHEEL.....		1
625.....	PBD2555V-5-625.....	BUSH.....		1
626.....	PBD2555V-61.....	FLAT KEY.....	5 x 10 mm.....	1
627.....	PBD2555V-5-627.....	PINION SHAFT.....		1
628.....	PBD2555V-62.....	SCREW.....	M4x8.....	2
629.....	PBD2555V-63.....	NUT.....	M5.....	1
630.....	PBD2555V-64.....	HEXAGON SOCKET SCREW.....	M5x25.....	1
631.....	PBD2555V-5-631.....	LEADSCREW NUT (SET).....		1
632.....	PBD2555V-5-632.....	GUIDE BEAD.....		1
633.....	PBD2555V-65.....	PINION PIN.....	5x20.....	2
634.....	PBD2555V-5-634.....	GRADUATED COLLAR.....		1

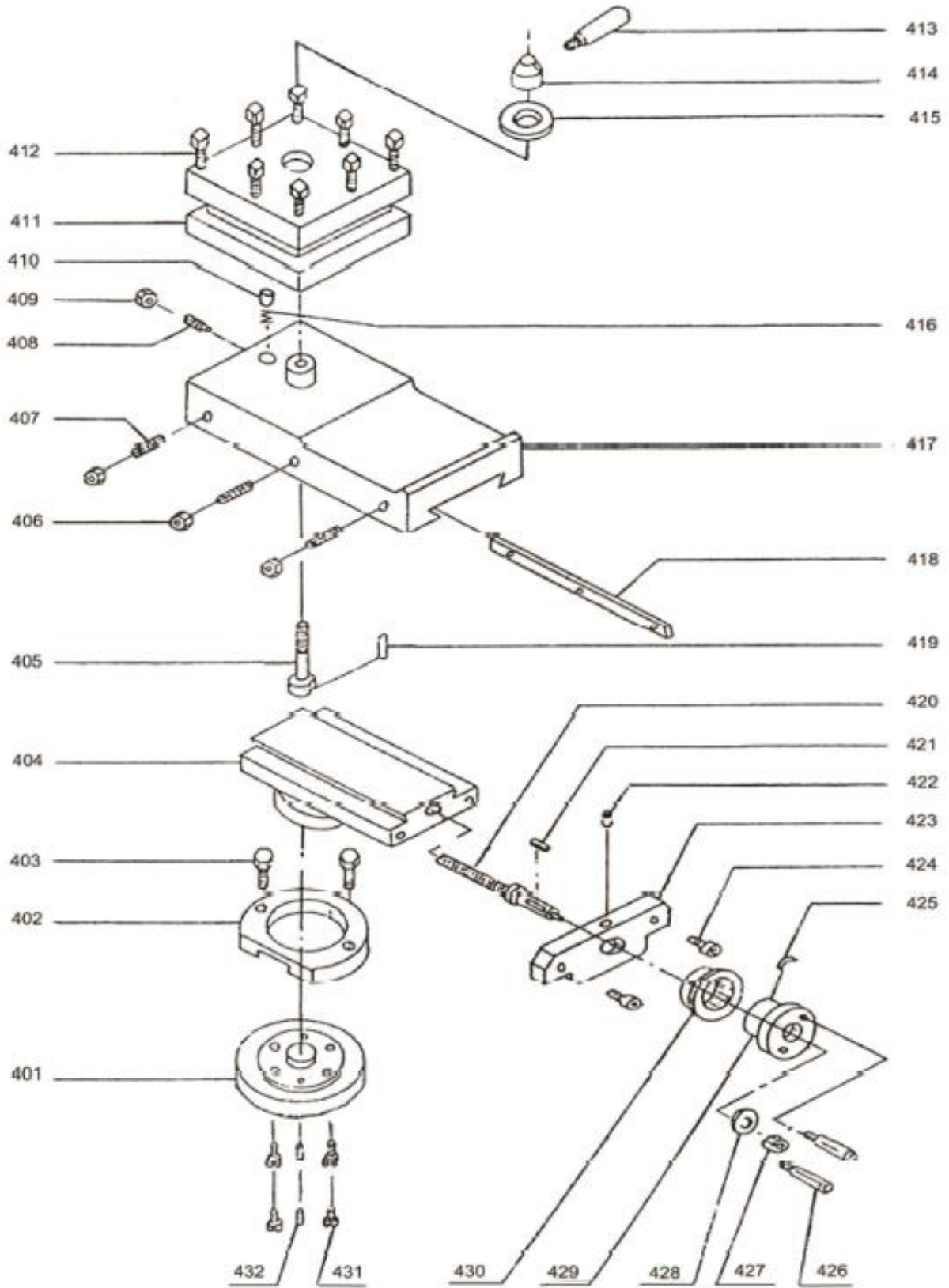
PBD-2555V Assembly Breakdown -6



PBD-2555V Parts List for Breakdown -6

Index No.	Part No.	Description	Size	Qty.
501	PBD2555V-6-501	HANDWHEEL		1
502	PBD2555V-66	BALL OILER	6	10
503	PBD2555V-67	FLAT KEY	4 x 12 mm	1
504	PBD2555V-6-504	ROUND NUT		1
505	PBD2555V-68	SCREW	M3x6	1
506	PBD2555V-6-506	SCRAPER		2
507	PBD2555V-69	HEXAGON SOCKET SCREW	M6x35	4
508	PBD2555V-6-508	CROSS SLIDE SPINDLE		1
509	PBD2555V-6-509	LATHE SADDLE		1
510	PBD2555V-70	HEXAGON SOCKET SCREW	M3x12	2
511	PBD2555V-6-511	SPINDLE NUT OF CROSS SLIDE		1
512	PBD2555V-71	SCREW		8
513	PBD2555V-72	NUT	M5	4
514	PBD2555V-73	HEXAGON SOCKET SCREW	M5x25	4
515	PBD2555V-6-515	GUIDE BEAD		1
516	PBD2555V-6-516	CROSS SLIDE		1
517	PBD2555V-74	HEXAGON SOCKET SCREW	M5x10	1
518	PBD2555V-6-518	WASHER		1
519	PBD2555V-75	HEXAGON SOCKET SCREW	M8x10	2
520	PBD2555V-6-520	GUIDE BEAD		1
521	PBD2555V-6-521	GUIDE RAIL		1
522	PBD2555V-76	HEXAGON SOCKET SCREW	M4x16	5
523	PBD2555V-77	HEXAGON SOCKET SCREW	M5x16	4
524	PBD2555V-78	NUT	M4	5
525	PBD2555V-79	SCREW	M8x20	1
526	PBD2555V-80	SCREW	M5x20	4
527	PBD2555V-6-527	SCRAPER		2
528	PBD2555V-6-528	METAL REINFORCEMENT		2
529	PBD2555V-6-529	METAL REINFORCEMENT		2
530	PBD2555V-6-530	FRONT SAFETY BLOCK		1
531	PBD2555V-6-531	SAFETY BLOCK		1
532	PBD2555V-6-532	GUIDE BEARING		1
533	PBD2555V-81	WASHER	8	2
534	PBD2555V-6-534	HAND SCREW		1
535	PBD2555V-82	SCREW	M6x20	2
536	PBD2555V-6-536	HANDLE		1
537	PBD2555V-6-537	ROLLING BEARING	51101	1
538	PBD2555V-83	SINOUS SPRING		1
539	PBD2555V-6-539	GRADUATED COLLAR		1

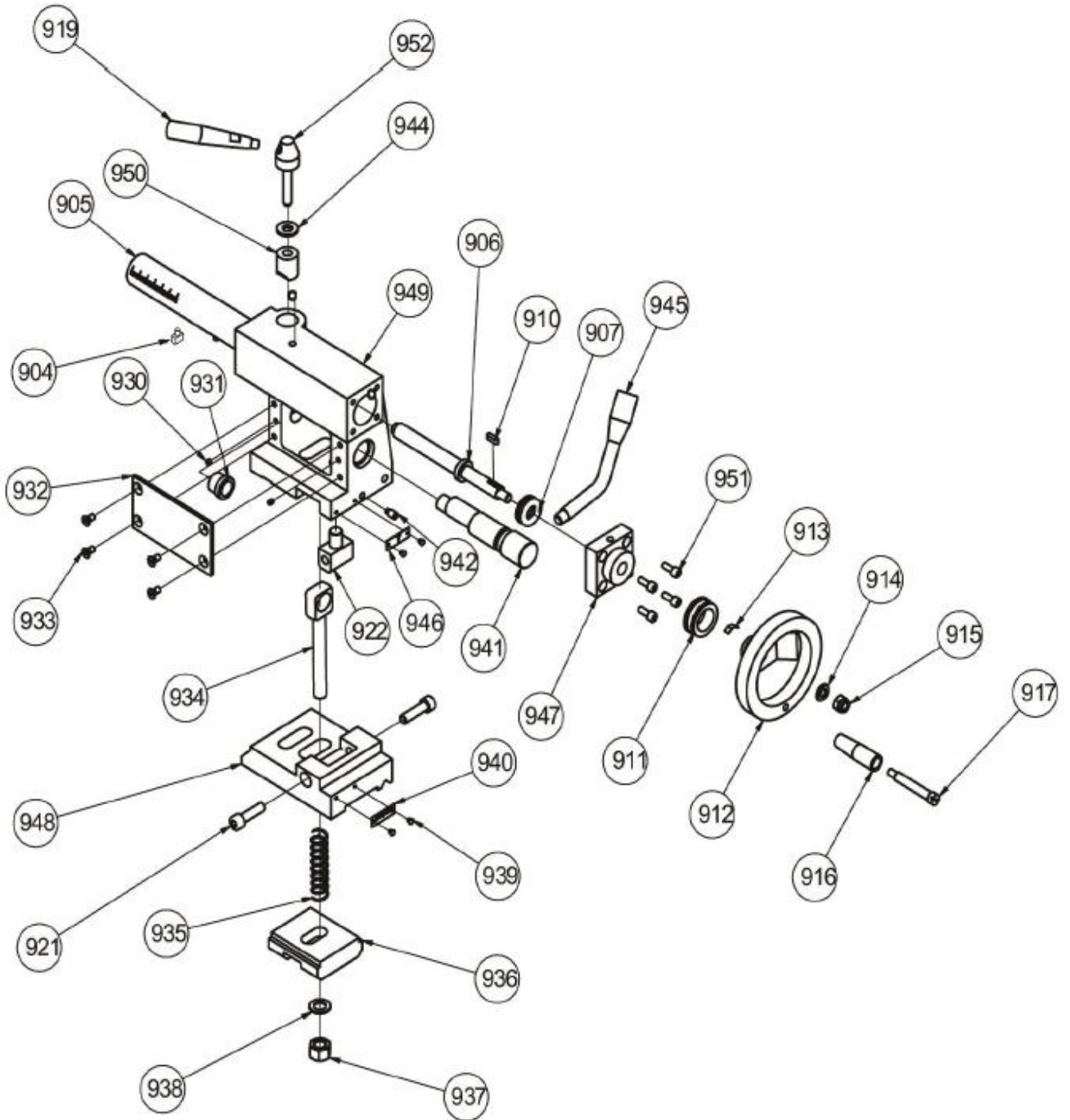
PBD-2555V Assembly Breakdown -7



PBD-2555V Parts List for Breakdown -7

Index No.	Part No.	Description	Size	Qty.
401.....	PBD2555V-7-401.....	GRADUATED DIAL.....		1
402.....	PBD2555V-7-402.....	INTERMEDIATE FLANGE.....		1
403.....	PBD2555V-84.....	HEXAGON SOCKET SCREW.....	M8x20.....	2
404.....	PBD2555V-7-404.....	SLIDE GUIDE WAY.....		1
405.....	PBD2555V-7-405.....	STRAINING SCREW.....		1
406.....	PBD2555V-85.....	NUT M4.....		3
407.....	PBD2555V-86.....	HEXAGON SOCKET SCREW.....	M4x40.....	3
408.....	PBD2555V-87.....	HEXAGON SOCKET SCREW.....	M4x12.....	1
409.....	PBD2555V-88.....	NUT.....	M4.....	1
410.....	PBD2555V-7-410.....	POSITIONING PIN.....		1
411.....	PBD2555V-7-411.....	LATHE TOOL HOLDER.....		1
412.....	PBD2555V-89.....	SQUARE-HEAD BOLT.....	M8x25.....	8
413.....	PBD2555V-7-413.....	HANDLE.....		1
414.....	PBD2555V-7-414.....	CLAMPING PIECE.....		1
415.....	PBD2555V-7-415.....	WASHER.....		1
416.....	PBD2555V-7-416.....	COMPRESSION SPRING.....	0.8X4X15.....	1
417.....	PBD2555V-7-417.....	TOP SLIDE.....		1
418.....	PBD2555V-7-418.....	GUIDE BEAD.....		1
419.....	PBD2555V-90.....	PARALLEL PIN.....	3x10.....	1
420.....	PBD2555V-7-420.....	TOP SLIDE SPINDLE.....		1
421.....	PBD2555V-91.....	FLAT KEY.....	3 x 12 mm.....	1
422.....	PBD2555V-92.....	BALL OILER.....	6.....	1
423.....	PBD2555V-7-423.....	BEARING PEDESTAL.....		1
424.....	PBD2555V-93.....	HEXAGON SOCKET SCREW.....	M4x16.....	2
425.....	PBD2555V-94.....	SINOUS SPRING.....		1
426.....	PBD2555V-7-426.....	HANDLE.....		2
427.....	PBD2555V-95.....	NUT.....	M8.....	1
428.....	PBD2555V-96.....	WASHER.....	8.....	1
429.....	PBD2555V-7-429.....	HANDWHEEL.....		1
430.....	PBD2555V-7-430.....	GRADUATED COLLAR.....		1
431.....	PBD2555V-97.....	HEXAGON SOCKET SCREW.....	M6x16.....	4
432.....	PBD2555V-98.....	PARALLEL PIN.....	4x16.....	2
433.....	PBD2555V-7-400.....	Tool holder and bracket assembly.....		1

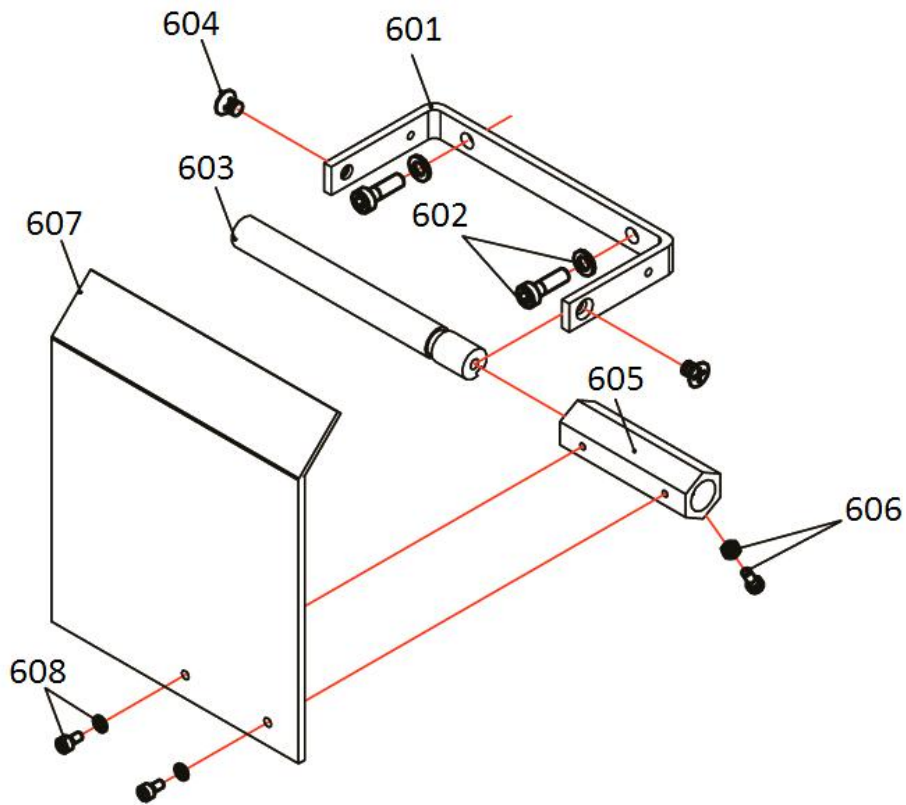
PBD-2555V Assembly Breakdown -8



PBD-2555V Parts List for Breakdown -8

Index No.	Part No.	Description	Size	Qty.
904	PBD2555V-8-904	PIECE OF CENTERING OF SPINDLE SLEEVE		1
905	PBD2555V-8-905	SPINDLE SLEEVE		1
906	PBD2555V-8-906	SPINDLE		1
907	PBD2555V-8-907	AXIALLY GROOVED BALL BEARING	51101	1
910	PBD2555V-99	FLAT KEY	4 x 14 mm	1
911	PBD2555V-8-911	SCALES RING		1
912	PBD2555V-8-912	HAND WHEEL		1
913	PBD2555V-100	SPRING PLATE		1
914	PBD2555V-101	WASHER	ISO 7090 - 8	1
915	PBD2555V-102	HEXAGON NUT	DIN 6924 -M8	1
916	PBD2555V-8-916	CASE FOR HANDLE		1
917	PBD2555V-8-917	FIXING BOLT FOR CASE		1
919	PBD2555V-8-919	CLAMPING LEVER		1
921	PBD2555V-103	SOCKET HEAD SCREW	GB 70-85 - M8 x 30	2
922	PBD2555V-8-922	PIECE OF CENTERING OF SPINDLE SLEEVE		1
930	PBD2555V-104	THREADED PIN	ISO 4028 - M4 x 5	1
931	PBD2555V-8-931	GUIDE BUSH		1
932	PBD2555V-8-932	COVER		1
933	PBD2555V-105	COUNTERSUNK SCREW	ISO 2009 - M5 x 10	4
934	PBD2555V-8-934	TIGHTENING SCREW		1
935	PBD2555V-8-935	SPRING	1.2 x 13.2 x 40 mm	1
936	PBD2555V-8-936	CLAMPING PLATE		1
937	PBD2555V-106	HEXAGON NUT	ISO 4035 -M12	1
938	PBD2555V-107	WASHER		1
939	PBD2555V-108	RIVET		4
940	PBD2555V-8-940	SCALE		1
941	PBD2555V-8-941	ECCENTRIC CAM		1
942	PBD2555V-109	THREADED PIN	ISO 4028 -M6 x 12	1
944	PBD2555V-8-944	WASHER		1
945	PBD2555V-8-945	CLAMPING LEVER		1
946	PBD2555V-8-946	SCALE		1
947	PBD2555V-8-947	SADDLE		1
948	PBD2555V-8-948	BASE PLATE TAILSTOCK		1
949	PBD2555V-8-949	TAILSTOCK UPPER SECTION		1
950	PBD2555V-8-950	CLAMPING PART COLLAR		1
951	PBD2555V-110	SOCKET HEAD SCREW	GB 70-85 -M5 x 14	4
952	PBD2555V-8-952	HEAD CLAMPING LEVER		1
	PBD2555V-456	MT4 FIXED CENTRE	not shown	1
	PBD1830V-532	MT2 FIXED CENTRE	not shown	1
	PBD1830V-533	MT2 LIVE CENTRE	not shown	1

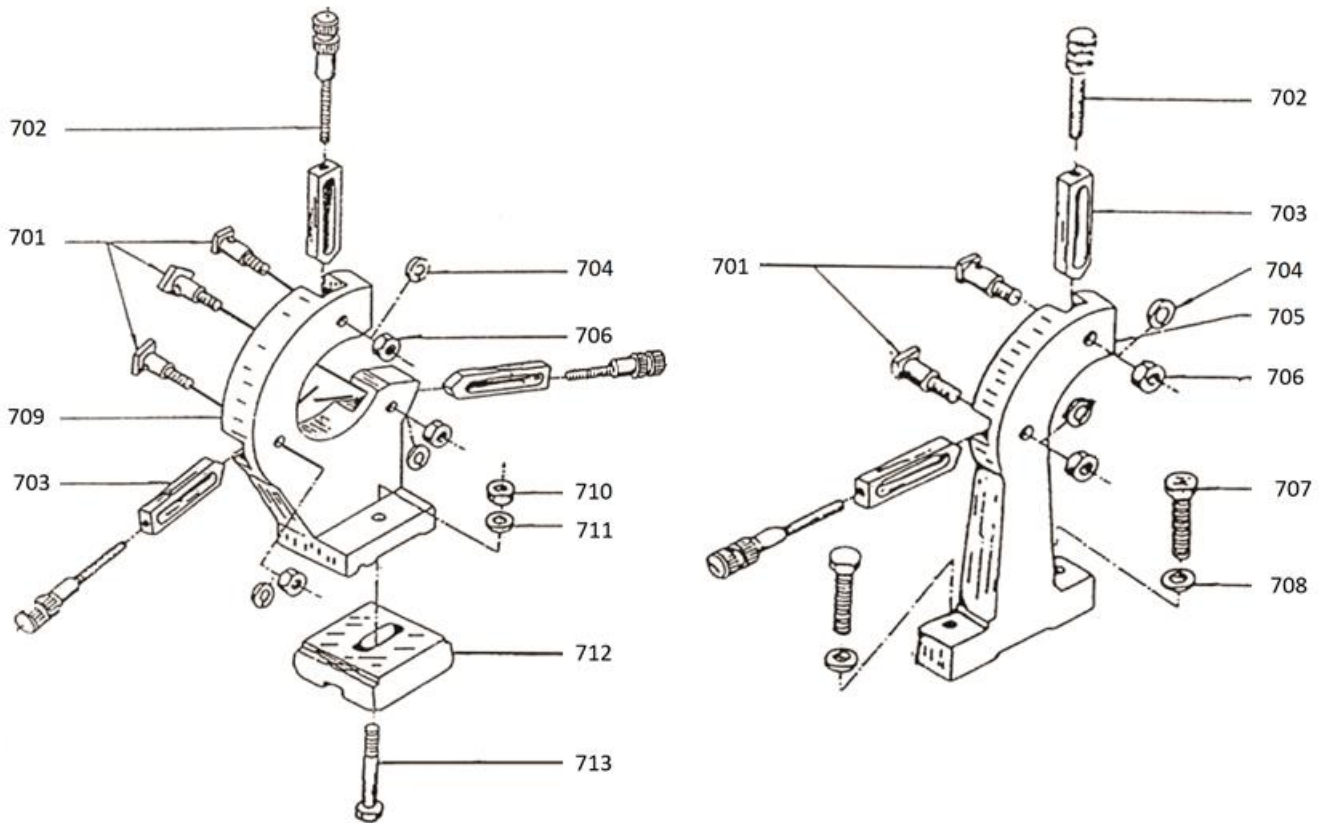
PBD-2555V Assembly Breakdown -9



PBD-2555V Parts List for Breakdown -9

Index No.	Part No.	Description	Size	Qty.
601.....	PBD1830V-601.....	SUPPORT.....		1
602.....	GB7085-5-12.....	SOCKET HD SCREW.....	M5 × 12 mm.....	2
603.....	PBD1830V-603.....	SHAFT.....		1
604.....	GB81985-5-6.....	CROSS RECESSED FLAT HD SCREW.....	M5 × 6 mm.....	2
605.....	PBD1830V-605.....	HEX SLEEVE.....		1
606.....	GB7085-3-8.....	SOCKET HD SCREW.....	M3 × 8 mm.....	1
607.....	PBD1830V-607.....	CHIP SHIELD.....		1
608.....	GB7085-3-6.....	SOCKET HD SCREW.....	M3 × 6 mm.....	2
	PBD1830V-609.....	TOOL POST GUARD KIT (#601-608).....		1

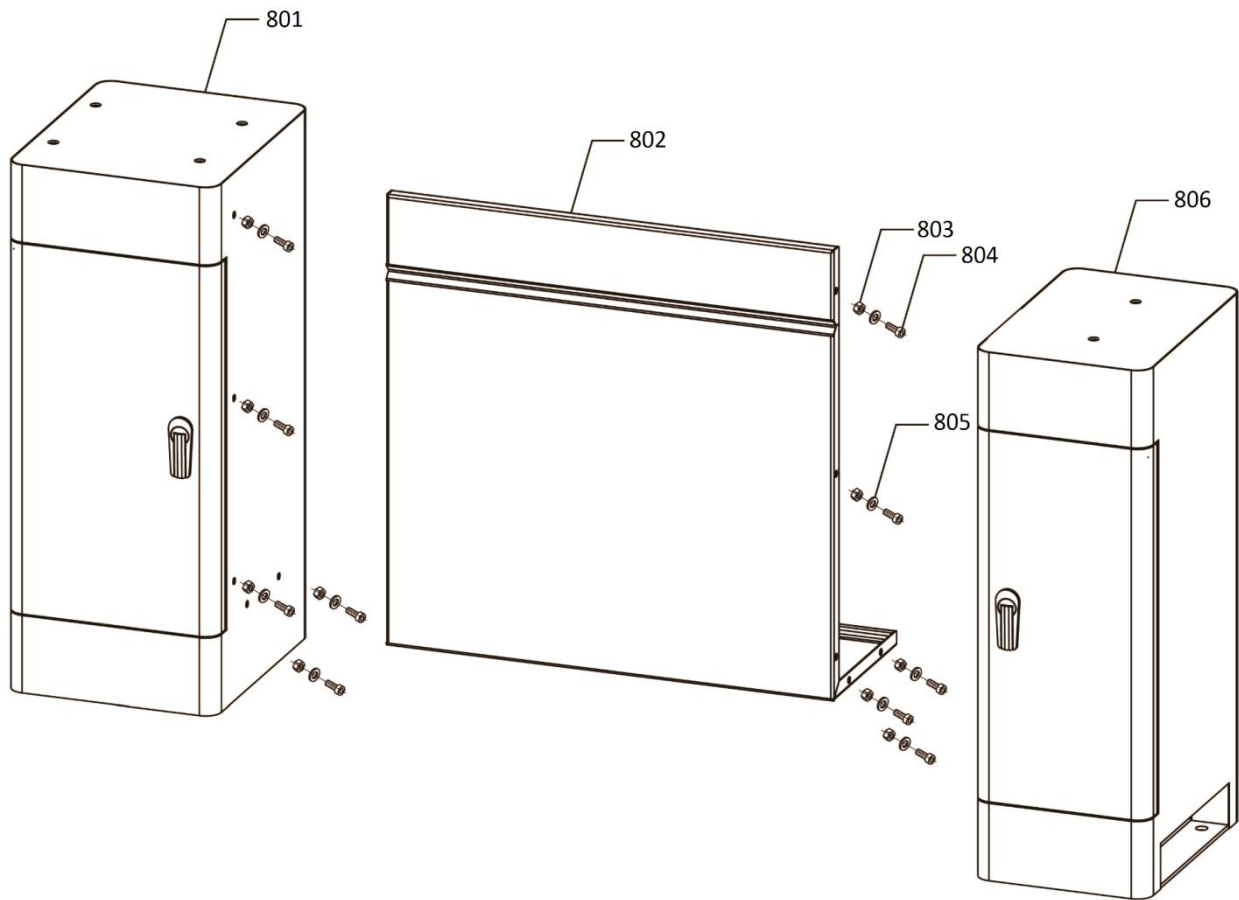
PBD-2555V Assembly Breakdown -10



PBD-2555V Parts List for Breakdown -10

Index No.	Part No.	Description	Size	Qty.
701	PBD2555V-701	SCREW		5
702	PBD2555V-702	TIGHTENING SCREW		5
703	PBD2555V-703	SLIDE JAW		5
704	GB9785-10	SPRING WASHER (STD)	10	5
705	PBD2555V-705	FOLLOW REST		1
706	GB617086-10	HEX NUT	M10	5
707	GB578186-8-30	HEX HD SCREW	M8 × 30 mm	2
708	GB97185-8	WASHER	8	2
709	PBD2555V-709	STEADY REST		1
710	GB617086-12	HEX NUT	M12	1
711	GB97185-12	WASHER	12	1
712	PBD2555V-712	CLAMPING PLATE		1
713	GB578186-12-60	HEX HD SCREW	M12 × 60 mm	1
	PBD2555V-714	STEADY REST KIT (#701-704, 706, 709-713)		1
	PBD2555V-715	FOLLOW REST KIT (#701-708)		1

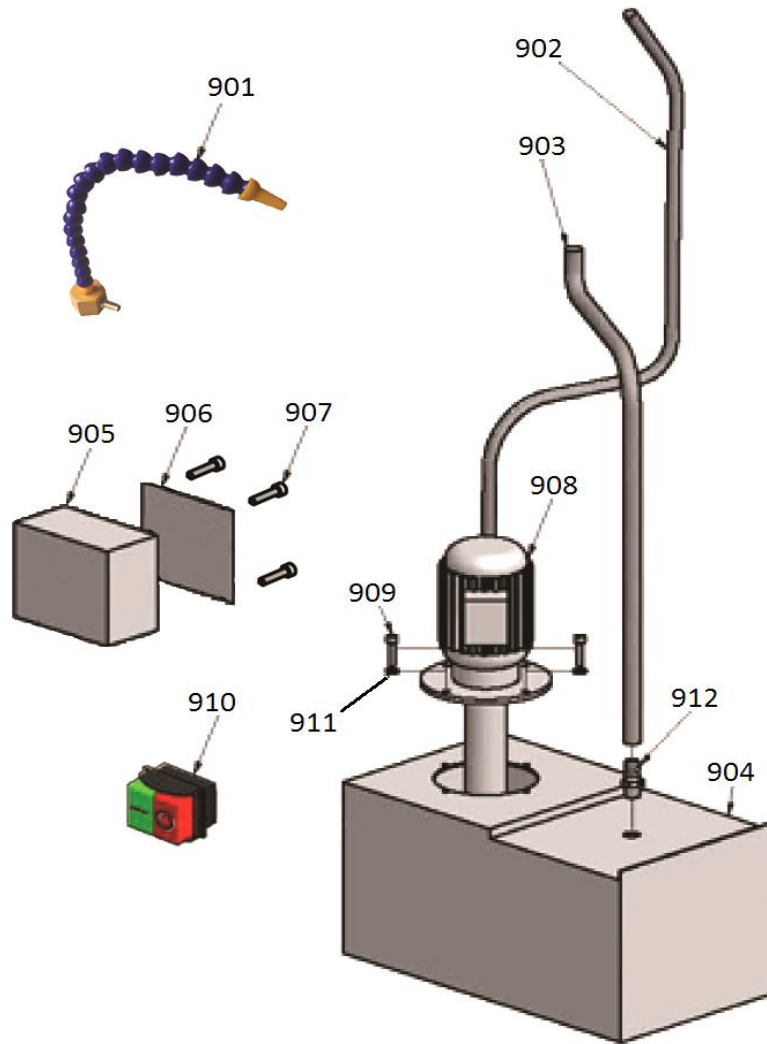
PBD-2555V Assembly Breakdown -11



PBD-2555V Parts List for Breakdown -11

Index No.	Part No.	Description	Size	Qty.
801.....	PBD2555V-801.....	LEFT STAND.....		1
802.....	PBD2555V-802.....	CONNECTING PLATE.....		1
803.....	GB617086-8.....	HEX NUT.....	M8.....	10
804.....	GB7085-8-16.....	SOCKET HD SCREW.....	M8 x 16 mm.....	10
805.....	GB97185-8.....	WASHER.....	8.....	10
806.....	PBD2555V-806.....	RIGHT STAND.....		1
	PBD2555V-807.....	STAND KIT (#801-806).....		1

PBD-2555V Assembly Breakdown -12

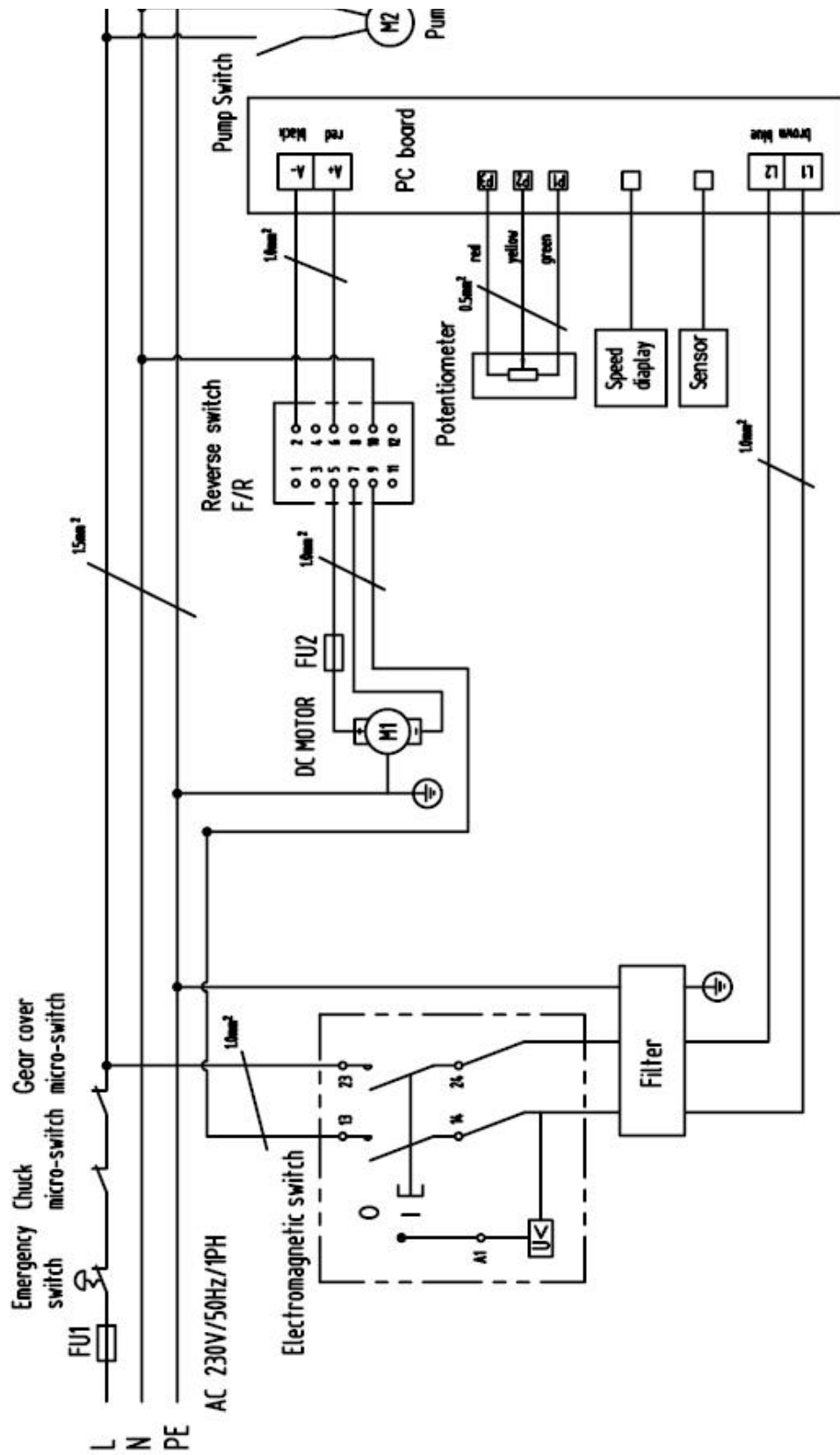


PBD-2555V Parts List for Breakdown -12

Index No.	Part No.	Description	Size	Qty.
901.....	PBD1830V-901.....	NOZZLE.....		1
902.....	PBD1830V-902.....	OUTLET PIPE.....		1
903.....	PBD1830V-903.....	RETURNING PIPE.....		1
904.....	PBD1830V-904.....	WATER TANK.....		1
905.....	PBD1830V-905.....	ELECTRICAL BOX.....		1
906.....	PBD1830V-906.....	ELECTRICAL BOX COVER.....		1
907.....	GB7085-5-30.....	SOCKET HD SCREW.....	M5 x 30 mm.....	4
908.....	PBD1830V-908.....	COOLANT PUMP.....		1
909.....	GB7085-5-12.....	SOCKET HD SCREW.....	M5 x 12 mm.....	4
910.....	PBD1830V-910.....	SWITCH.....	KJD17B.....	1
911.....	GB97185-5.....	WASHER.....	5.....	4
912.....	PBD1830V-912.....	HOSE CLIP.....		1
.....	59500112.....	COOLANT PUMP KIT (#901-912).....		1

16.0 Wiring Diagrams

PBD-2555V1~230V, PE, 50Hz



PBD-2555V Electrical Parts List

Designation	Model	Qty.	Part No.
Electromagnetic switch	KJD17GF	1	PBD1830V-E1
Reverse Switch F/R	ZH-A	1	PBD1830V-E2
Filter	NF211B10/02	1	PBD2555V-E3
Emergency stop	LAY5	1	PBD2555V-E4
Circuit board	JYMC-220A-I 230VAC 12ADC	1	PBD2555V-E5
Potentiometer	WX14-12 4K7	1	PBD1830V-E6
Speed display and sensor	JD011 5V	1	PBD1830V-E7
DC Motor	ZYT110/59T1	1	PBD2555V-2-431
FU1, FU2	10A	2	PBD2555V-E9
Gear Guard Switch	QKS8	1	PBD1830V-E10
Chunk Guard Switch	LXW5-11Q1	1	PBD1830V-E11
Pump (Optional)	DB-12A	1	PBD1830V-908
Pump Switch (Optional)	LAY5-BE101	1	PBD1830V-910

DE Bedienungsanleitung (Übersetzung der Originalbedienungsanleitung)

1.0 Informationen zur vorliegenden Anleitung

Das vorliegende Handbuch wird von PROMAC bereitgestellt und enthält die Anweisungen für den sicheren Betrieb der **Metalldrehbank Modell PBD-2555V von PROMAC** sowie für die an diesem Produkt auszuführenden Wartungsvorgänge. Die Anleitung enthält Anweisungen zu Montage, Sicherheitsmaßnahmen, allgemeinen Bediensritten und Wartungsvorgängen sowie die Teilleisten. Die Maschine wurde so ausgelegt und konstruiert, dass sie bei Beachtung der in diesem Dokument aufgeführten Anweisungen eine lange Lebensdauer bei beständiger Betriebsqualität aufweist.

Bewahren Sie diese Anleitung für die weitere Verwendung gut auf. Wenn die Maschine den Besitzer wechselt, muss diese Anleitung beiliegen.

2.0 Inhaltsverzeichnis

Abschnitt	Seite
1.0 Informationen zur vorliegenden Anleitung	40
2.0 Inhaltsverzeichnis	40
3.0 Wichtige Sicherheitshinweise	41~42
3.1 Bestimmungsgemäße Verwendung und Einsatzbeschränkungen	43
3.2 Restrisiken	43
4.0 Technische Daten	44~45
5.0 Beschreibung der Maschine	46
6.0 Einrichtung und Montage	47
6.1 Auspacken und Reinigen	47
6.2 Lieferumfang	47
6.3 Montage	47
6.4 Anfängliche Schmierung	47
6.5 Aufstellung	47
7.0 Elektrische Anschlüsse	47~48
7.1 Anweisungen zur Erdung	47
7.2 Verlängerungskabel	48
8.0 Einstellungen	48~50
8.1 Spindeldrehzahlbereichswahl	48
8.2 Einrichten der Zahnradkombination	48
8.3 Kegeldrehen mit Reitstock	49
8.4 Kegeldrehen mit Oberschlitten	49
8.5 Dreibacken-Universalspannfutter	49
8.6 Spannfutter mit vier einzeln verstellbaren Backen	50
8.7 Umlaufende Spitze	50
8.8 Lünette und mitlaufende Lünette	50
9.0 Bedienelemente	51
10.0 Bedienung der Maschine	51~53
10.1 Bearbeitung ausführen	51
10.2 Aufspannen	51
10.3 Einrichten der Bearbeitungswerkzeuge	52
10.4 Empfohlene Spindeldrehzahlen	52
10.5 Manuelles Drehen	52
10.6 Drehen mit automatischem Vorschub	52
10.7 Gewindeschneiden	53
10.8 Bohren	53
11.0 Wartung seitens des Anwenders	53
11.1 Schmierung	53
12.0 Störungsbeseitigung	54
13.0 Umweltschutz	54
14.0 Verfügbares Zubehör	54
15.0 Ersatzteile	55~70
16.0 Schaltplan	71~72

3.0 WICHTIGE SICHERHEITSHINWEISE

ALLE ANWEISUNGEN UND ANLEITUNGEN VOR DER VERWENDUNG DIESER DREHMASCHINE DURCHLESEN.



- Zur Minimierung von Verletzungsgefahren:

1. Vor Montage und Inbetriebnahme dieser Maschine muss das Benutzerhandbuch vollständig durchgelesen und verstanden werden.
2. Die Warnhinweise an der Maschine und in der vorliegenden Anleitung müssen durchgelesen und verstanden werden.
3. Warnschilder, die unleserlich geworden oder abgefallen sind, müssen ersetzt werden.
4. Diese Maschine wurde für die Anwendung durch entsprechend geschultes und erfahrenes Personal konzipiert. Jemand, der mit dem korrekten Gebrauch und der sicheren Bedienung einer Metalldrehbank nicht vertraut ist, darf sie erst bedienen, wenn er eine geeignete Schulung erhalten und die erforderlichen Kenntnisse erworben hat.
5. Diese Maschine ist ausschließlich für den bestimmungsgemäßen Gebrauch gedacht. Sollte sie für andere Zwecke eingesetzt werden, lehnt PROMAC jegliche ausdrückliche oder stillschweigende Gewährleistung ab und hält sich schadlos von etwaigen Verletzungen, die aus einem solchen Missbrauch entstehen können.
6. Beim Arbeiten mit dieser Maschine stets eine Schutzbrille oder einen Gesichtsschutz mit entsprechender Zulassung tragen. (Brillen für den täglichen Gebrauch haben lediglich schlagfeste Gläser, sie gelten *nicht* als Schutzbrille.)
7. Bevor mit dieser Maschine gearbeitet wird, Krawatten, Ringe, Armbanduhr und anderen Schmuck ablegen und die Ärmel bis über die Ellbogen aufrollen. Es darf keine locker sitzende Kleidung getragen werden und lange Haare sind zusammenzubinden. Schuhwerk mit rutschfesten Sohlen oder Anti-Rutsch-Matten für den Boden werden empfohlen. **Keine** Handschuhe tragen.
8. Bei lang andauernder Arbeit mit dem Gerät einen Gehörschutz (Ohrenstöpsel oder Kapselgehörschutz) tragen.
9. Staub, der beim Sägen entsteht, kann chemische Stoffe enthalten, die anerkanntermaßen als krebserregend gelten, Geburtsfehler verursachen oder die Fortpflanzungsfähigkeit anderweitig beeinträchtigen. Hier einige Beispiele für solche chemischen Stoffe:
 - Blei in Bleianstrich.
 - Kristallines Siliziumdioxid aus Ziegelsteinen, Zement und andere für den Bau verwendeten Erzeugnissen.
 - Arsen und Chrom aus chemisch behandeltem Bauholz.Das Expositionsrisiko richtet sich danach, wie häufig man diese Art von Arbeiten ausführt. Um die Gefährdung durch solche chemischen Stoffe so weit wie möglich zu reduzieren, an ausreichend belüfteten Orten und mit zugelassener Schutzausrüstung wie Gesichtsschutz oder Staubmaske arbeiten, die speziell dafür ausgelegt ist, auch mikroskopisch feine Partikel zurückzuhalten.
10. Die Bedienung dieser Maschine unter Einfluss von Drogen, Alkohol oder Medikamenten ist untersagt.
11. Vor dem Anschließen des Geräts ans Stromnetz sicherstellen, dass der Schalter ausgeschaltet ist (Stellung **OFF** (AUS)). Vor dem Trennen von der Stromversorgung alle Bedienelemente ausschalten bzw. deaktivieren.
12. Auf korrekte Erdung der Maschine achten. Die Maschine darf nur mit einer korrekt geerdeten Steckdose verbunden werden. Siehe die Anweisungen zur Erdung.
13. Die Maschine vor Ausführung aller erforderlichen Einstellungen oder Wartungsarbeiten vom Stromnetz trennen.
14. Einstellwerkzeuge jeglicher Art entfernen. Der Bediener sollte es sich zur Gewohnheit machen, vor dem Einschalten der Maschine sicherzustellen, dass Einstellwerkzeuge jeglicher Art entfernt wurden.
15. Schutzabdeckungen müssen beim Betrieb des Geräts an Ort und Stelle verbleiben. Werden sie zu Wartungszwecken entfernt, ist extreme Vorsicht geboten; die Schutzabdeckungen unmittelbar nach Abschluss der Wartung wieder anbringen.
16. Die Maschine auf beschädigte Teile untersuchen. Vor dem weiteren Gebrauch der Maschine beschädigte Schutzabdeckungen oder andere beschädigte Teile sorgfältig untersuchen und prüfen, ob sie noch einwandfrei funktionieren und ihre Funktion sicher ausüben. Die Maschine auf mangelhaft ausgerichtete oder schwergängige bewegliche Teile, auf Bruch von Teilen, fehlerhafte Montage und weitere Faktoren untersuchen, die den Betrieb beeinträchtigen könnten. Schutzabdeckungen und andere Teile, die beschädigt sind, sollten sachgemäß repariert oder ausgewechselt werden.
17. Im Bereich rund um das Gerät ausreichend Platz für Wartungsarbeiten lassen und für blendfreie Beleuchtung von oben sorgen.
18. Den Boden rund um das Gerät sauber und frei von Ausschussmaterial, Öl oder Schmierfett halten.
19. Besucher müssen vom Arbeitsbereich ferngehalten werden. **Insbesondere Kinder unbedingt fernhalten.**
20. Die Werkstatt muss kindersicher gestaltet werden, d.h. es müssen Vorhängeschlösser und Hauptschalter verwendet werden und der Startschalterschlüssel muss abgezogen werden.
21. Der Arbeit ist uneingeschränkte Aufmerksamkeit zu widmen. Umherschauen, Gespräche mit Mitarbeitern und "Unfug" sind leichtsinnig und können ernste Verletzungen zur Folge haben.
22. Stets auf eine ergonomische Körperhaltung achten. Stets für sicheren Stand sorgen, so dass man nicht stürzt oder ins Wanken gerät und an das Spannfutter oder andere bewegliche Teile kommt. Beim Bedienen der Maschine muss ausgeschlossen sein, dass der Bediener sich recken muss. Keine übermäßige Kraft aufwenden.
23. Stets das geeignete Werkzeug verwenden und mit angemessener Drehzahl und Vorschubgeschwindigkeit arbeiten. Werkzeug oder Zusatzeinrichtungen nicht mit Gewalt montieren oder für Arbeiten verwenden, für die sie nicht ausgelegt sind. Mit dem richtigen Werkzeug lassen sich Arbeiten besser und sicherer ausführen.
24. Die Maschine ist ausschließlich für den Einsatz in Innenräumen gedacht. Zur Verringerung des Risikos von elektrischen Schlägen nicht außerhalb von geschlossenen Räumen (keine Anwendung im Freien) oder auf nassen oder feuchten Flächen einsetzen.
25. Die Maschine darf nicht mit feuchten oder nassen Händen bedient werden.
26. Das empfohlene Zubehör verwenden; ungeeignetes Zubehör kann zu gefährlichen Situationen und Unfällen führen.
27. Werkzeuge sind sorgfältig zu pflegen. Werkzeuge scharf und sauber halten, damit sie stets optimale Leistung erbringen. Bei Schmierung und Teilewechsel den Anweisungen Folge leisten.
28. Die Maschine vor dem Reinigen ausschalten und von der Stromversorgung trennen. Späne und sonstige Fremdkörper mit einer Bürste oder mit Druckluft – auf keinen Fall mit bloßen Händen – entfernen.
29. Stellen Sie sich nicht auf die Maschine. Schwere Verletzungen können auftreten, sollte die Maschine umstürzen.
30. Die Maschine niemals unbeaufsichtigt laufen lassen. Die Stromversorgung ausschalten und die Maschine nicht eher verlassen, als bis sie zum Stillstand gekommen ist.
31. Bevor die Maschine gestartet wird, lose Gegenstände und unnötige Werkstücke aus dem Arbeitsbereich entfernen.
32. Den Netzstecker ziehen, wenn die Maschine außer Betrieb genommen wird.
33. Sicherstellen, dass das Werkstück sicher eingespannt ist.

Der Bediener muss sich mit den wie folgt gekennzeichneten Sicherheitshinweisen in dieser Anleitung vertraut machen:



WARNUNG: Bei Missachtung so gekennzeichnete Sicherheitsvorschriften besteht die Gefahr ernster Verletzungen, u.U. mit tödlichem Ausgang.



VORSICHT: Bei Missachtung so gekennzeichnete Sicherheitsvorschriften besteht die Gefahr von kleineren Verletzungen und/oder möglichen Maschinenschäden.

DIESE ANLEITUNG AUFBEWAHREN



WARNUNG:

Diese Symbole weisen darauf hin, dass bei der Verwendung dieser Maschine stets die korrekten Sicherheitsverfahren durchzuführen und alle Sicherheitsvorschriften zu beachten sind.



Vor Montage und Inbetriebnahme der Maschine muss die Bedienungsanleitung vollständig durchgelesen und verstanden werden.



Werkstück-Stangenmaterial, das über das hintere Ende des Spindelstocks herausragt, muss über die gesamte Länge zum Schutz abgedeckt werden. Große Verletzungsgefahr



Stets zulässige und geeignete Arbeitskleidung tragen.
Schutzbrillen tragen.
Gehörschutz tragen.



Die Bedienung dieser Maschine unter dem Einfluss von Drogen, Alkohol oder Medikamenten ist untersagt.



Stets zulässige und geeignete Arbeitskleidung tragen.
Sicherheitsschuhe tragen.
Krawatten, Ringe, Armbanduhren ablegen.
Ärmel bis über die Ellbogen aufrollen.
Es darf keine locker sitzende Kleidung getragen werden und lange Haare sind zusammenzubinden.



Beim Arbeiten mit dieser Maschine keine Handschuhe tragen.



Anschluss- und Reparaturarbeiten an der Elektrik dürfen ausschließlich von einem qualifizierten Elektriker durchgeführt werden.



Die Maschine vor Ausführung aller erforderlichen Einstellungen oder Wartungsarbeiten vom Stromnetz trennen.



Greifen Sie niemals in die Maschine hinein, während sich diese in Betrieb befindet oder nachläuft.

3.1 Bestimmungsgemäße Verwendung und Einsatzbeschränkungen

Die Maschine wurde ausschließlich für das Drehen und Bohren von spanend bearbeitbaren Metall- und Kunststoffwerkstoffen konstruiert.

Das Werkstück muss so beschaffen sein, dass es sicher geladen, abgestützt und geführt werden kann.

Die Maschine ist ausschließlich für den Einsatz in Innenräumen gedacht. Die Schutzklasse der elektrischen Einrichtungen entspricht IP54.

Damit die Maschine nicht umkippt, muss sie mit vier Ankerschrauben am Boden verschraubt werden.

Sollte sie für andere Zwecke eingesetzt werden, lehnt PROMAC jegliche ausdrückliche oder stillschweigende Gewährleistung ab und hält sich schadlos von etwaigen Verletzungen, die aus einem solchen Missbrauch entstehen können.



WARNUNG:

Die Maschine ist nicht für die Bearbeitung von Magnesium geeignet - große Brandgefahr!

Die Finger auf keinen Fall in eine Position bringen, in der sie sich drehende Teile oder Späne berühren können.

Vor dem Starten der Maschine sicherstellen, dass das Werkstück sicher und fest aufgespannt ist.

Den Spannweg und die Spannkapazität des Spannfutters nicht überschreiten.

Werkstücke, deren Länge das 3-fache des Einspanndurchmessers beträgt, müssen mit dem Reitstock oder einer Lünette abgestützt werden.

Kleine Spannfutterdurchmesser bei großen Drehdurchmessern vermeiden. Kurze Aufspannlängen und kleine Spannkontaktflächen vermeiden.

Die maximale Drehzahl der Werkstückaufspannvorrichtung nicht überschreiten.

Stets das geeignete Werkzeug verwenden und mit angemessener Drehzahl und Vorschubgeschwindigkeit arbeiten. Werkzeug oder Zusatzeinrichtungen nicht mit Gewalt montieren oder für Arbeiten verwenden, für die sie nicht ausgelegt sind. Mit dem richtigen Werkzeug lassen sich Arbeiten besser und sicherer ausführen.

Das empfohlene Zubehör verwenden; ungeeignetes Zubehör kann zu gefährlichen Situationen und Unfällen führen.

Werkzeuge sind sorgfältig zu pflegen. Zerspanungswerkzeuge scharf und sauber halten, damit sie stets optimale Leistung erbringen.

Bei Schmierung und Teilewechsel den Anweisungen Folge leisten.

Auf keinen Fall versuchen, während des Betriebs der Maschine Werkzeuge einzustellen oder auszubauen.

Sich drehende Spannfutter oder Werkstücke auf keinen Fall mit den Händen festhalten.

Beim Bearbeiten von nicht ausgewuchteten Werkstücken sowie für Gewindeschneid- und Gewindebohrvorgänge eine niedrige Spindeldrehzahl wählen.

Werkstück-Stangenmaterial, das über das hintere Ende des Spindelstocks herausragt, muss über die gesamte Länge zum Schutz abgedeckt werden. Große Verletzungsgefahr!

Für lange Werkstücke ist möglicherweise eine Abstützung mittels der Lünette erforderlich. Lange und dünne Werkstücke können sich bei schneller Drehung verbiegen.

Den Reitstock bzw. die Reitstockpinole auf keinen Fall bei laufender Maschine bewegen.

Bearbeitungsspäne mithilfe eines geeigneten Spänehakens entfernen - nur im Stillstand der Maschine!

Messungen und Einstellungen dürfen nur im Stillstand der Maschine ausgeführt werden.

Wartungs- und Reparaturarbeiten dürfen nur ausgeführt werden, nachdem die Maschine durch Ziehen des Netzsteckers gegen versehentliches Einschalten gesichert wurde.

Bevor die Maschine gestartet wird, lose Gegenstände und unnötige Werkstücke aus dem Arbeitsbereich entfernen.

Das Werkstück von Hand drehen, bevor die Stromzufuhr eingeschaltet wird. Wenn mit der Bearbeitung eines neuen Werkstücks begonnen wird, die niedrigste Drehzahl verwenden.

Vor Beginn des Transports alle Transportsicherungen arretieren.

3.2 Restrisiken

Selbst bei Beachtung aller Vorschriften können beim Betrieb der Maschine einige Restrisiken bestehen.

Vom sich drehenden Werkstück und Spannfutter geht eine Verletzungsgefahr aus.

Fortgeschleuderte Werkstücke und bei der Bearbeitung entstehende Späne können zu Verletzungen führen.

Es können Gesundheitsrisiken durch Späne und Lärm bestehen. Persönliche Schutzausrüstung wie z.B. Schutzbrille und Gehörschutz tragen.

Bei Verwendung eines ungeeigneten Netzanschlusses und eines beschädigten Netzkabels kann es zu Verletzungen aufgrund eines Stromschlags kommen.

Beim Öffnen des Schaltschranks liegt die Versorgungsspannung noch an. Daher ist beim Zugang besondere Vorsicht geboten.

4.0 Technische Daten

Modellnummer.....PBD-2555V
BestellnummerPBD-2555V

Motoren und Elektrik:

Motortyp..... Gleichstrommotor, regelbare Drehzahl
Motorleistung.....1,1 kW
Stromversorgung 1 - 230 V, PE, 50 Hz
Schutzklasse.....IP54
Für Volllast verzeichnete Stromstärke.....6 A
Maschinenleuchte Halogenleuchte 24 V, 35 W
Kühlmittelpumpe..... 40 W

Leistungswerte:

Spitzenhöhe125 mm
Drehdurchmesser über Bett250 mm
Umlaufdurchmesser140 mm
Spitzenweite550 mm

Spindel:

Spindelkegelanbringung Kurzkegel (1:4Ø53,975 mm, Ø75x3xØ9)
Spindelbohrung26 mm
Spindelkegel MT4
Spindeldrehzahlstufen variabel
Spindeldrehzahlbereiche/-stufen 50 - 1250 und 100 - 2500 /min

Reitstock:

Verfahrweg Reitstockpinole65 mm
Reitstockkegel..... MT2

Werkzeugschlitten:

Querschlittenverfahrweg.....110 mm
Oberschlittenverfahrweg.....70 mm
Max. Werkzeuggröße12 x 12 mm
Steigung der Gewindespindel.....3 mm
Längsvorschub (6x) 0,07 / 0,1 / 0,14 / 0,2 / 0,28 / 0,40 mm/U
Metrische Gewinde(21x) 0,2~4,0 mm/U
Zollgewinde (21x) 8 ~ 56 TPI

Werkstoffe:

Maschinenbett..... aus Gusseisen, induktionsgehärtet und präzisionsgeschliffen
Spindelstock, Reitstock, SchlittenGusseisen
SpindellagerKegelrollenlager, Qualitätsklasse P5

Schalldruckpegel im Leerlauf 1 73,4 dB (LpA)
Geräuschpegel bei der Bearbeitung 1 78,3 dB (LpA)

¹ Schalldruckpegel gemessen in 1 m Abstand und 1,6 m über dem Boden. Bei den angegebenen Werten handelt es sich um Emissionspegel, die nicht notwendigerweise als sichere Betriebspegel zu betrachten sind. Die Arbeitsbedingungen fallen je nach Arbeitsplatz unterschiedlich aus. Diese Informationen dienen daher lediglich dazu, dem Anwender eine bessere Vorstellung zum Einschätzen der Gefahren und Risiken zu vermitteln.

Abmessungen und Gewichtsangaben:

Gesamtabmessungen im montierten Zustand (B x T x H)..... 1250 x 590 x 480 (1300) mm
Transportabmessungen (B x T x H) 1.200 x 560 x 610 & 820 x 580 x 430 mm
Nettogewicht (ca.) 178 kg
Transportgewicht (ca.)..... 200 kg

L = Länge; W = Breite; H = Höhe; D = Tiefe

Die technischen Daten in diesem Handbuch waren zum Zeitpunkt der Veröffentlichung aktuell. Aufgrund unserer Politik fortwährender Verbesserung behält sich JET das Recht vor, technische Daten jederzeit und ohne Vorankündigung sowie ohne jegliche damit einhergehende Verpflichtung zu ändern.

4.1 Spindelkegelanbringung:

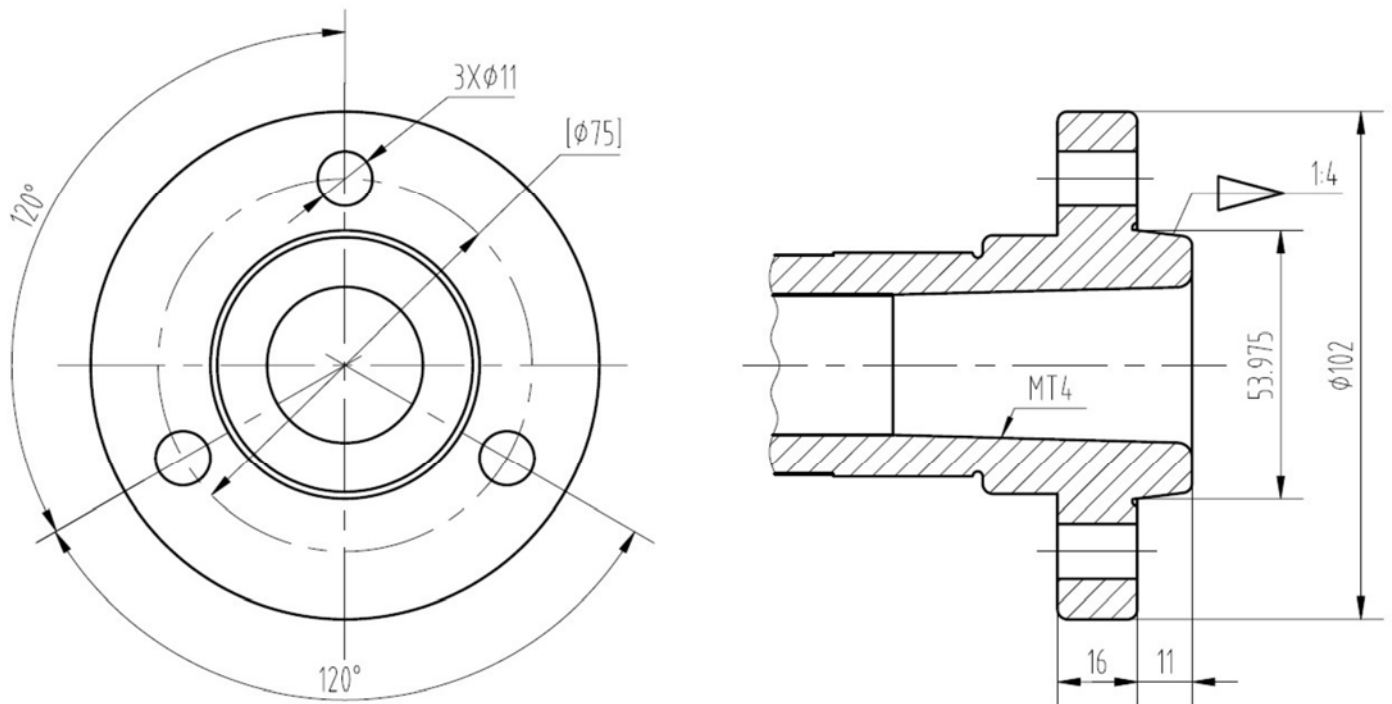


Abb. 4-1: Spindelkegelanbringung

4,2 Schema der Ankerschraubenbohrungen:

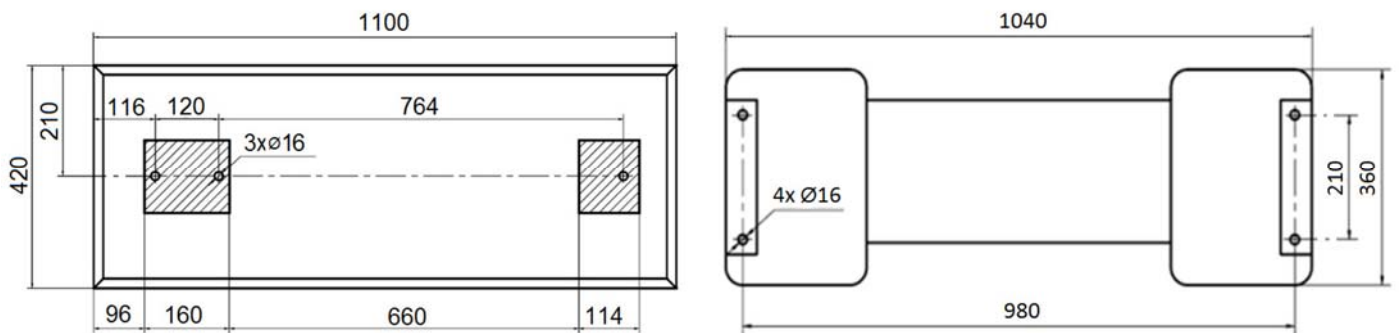


Abb. 4-2: Schema der Ankerschraubenbohrungen des Drehmaschinenbattes (links) und des Maschinenständers (rechts)



WARNUNG:

Damit die Maschine nicht umkippt, muss sie mit vier Ankerschrauben (nicht mitgeliefert) am Boden verschraubt werden.

5.0 Beschreibung der Maschine

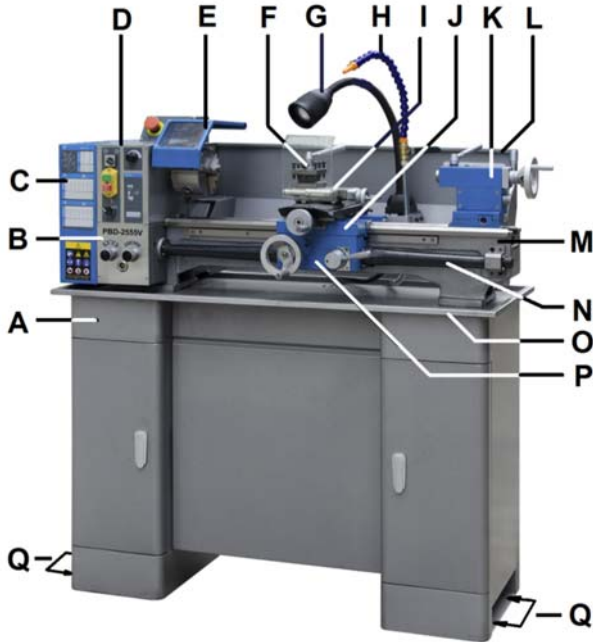


Abb. 5-1: Beschreibung der Maschine

- A Maschinenschranksockel
- B Getriebe
- C Riemenscheibenabdeckung
- D Spindelstock
- E Spannfutter und Spannfutterschutzabdeckung
- F Werkzeughalter und Werkzeughalter-Schutzabdeckung
- G Maschinenleuchte
- H Kühlmitteldüse
- I Oberer Schlitten
- J Werkzeugschlitten
- K Reitstock
- L Spritzschutz
- M Maschinenbett
- N Leitspindel
- O Späneauffangwanne
- P Schlosskasten
- Q Verankerungspunkte

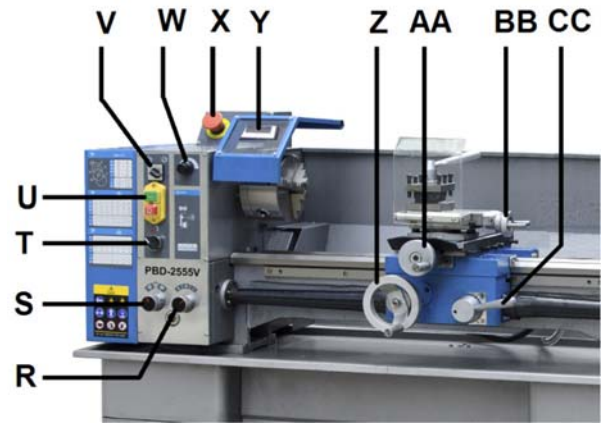


Abb. 5-2: Beschreibung der Maschine

- R Wahlknopf für Vorschubgeschwindigkeit
- S Vorschub vorwärts/rückwärts
- T Kühlmittelzufuhr EIN/AUS
- U Spindel EIN/AUS
- V Spindel vorwärts/rückwärts
- W Drehzahlregelknopf
- X Not-Aus
- Y Spindeldrehzahlanzeige
- Z Schlosskasten-Handrad
- AA Querschlitten-Handrad
- BB Oberschlitten-Handrad
- CC Mutterschlosshebel

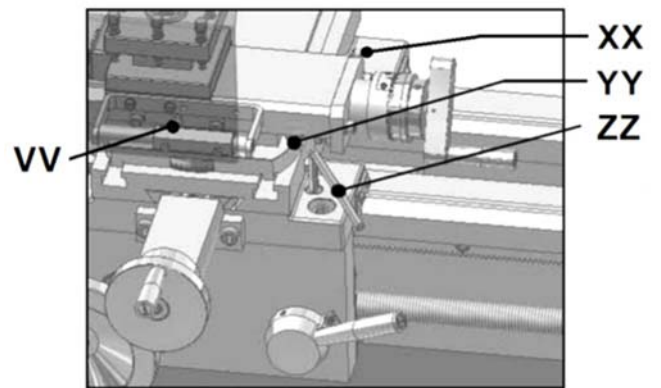


Abb. 5-3 Beschreibung der Maschine

- VV Arretierung oberer Schlitten
- XX Arretierung Querschlitten
- YY Oberschlitten-Kegeleinstellung
- ZZ Schlittenverriegelung

6.0 Einrichtung und Montage



WARNUNG:

Vor Montage und Inbetriebnahme muss der Inhalt dieses Handbuchs vollständig durchgelesen und verstanden werden. Bei Nichtbeachtung kann es zu schwerwiegenden Verletzungen kommen.

6.1 Auspacken und Reinigen

Alle Teile aus dem Verstandkarton entfernen und mit der in dieser Anleitung enthaltenen Liste vergleichen. Schäden oder fehlende Teile dem Zulieferer melden. Die Kiste und das Versandmaterial erst entsorgen, wenn die Maschine vollständig montiert ist und ordnungsgemäß funktioniert.

Alle mit Rostschutzmitteln versehenen Oberflächen mit Waschpetroleum oder einem milden Lösungsmittel von dieser Rostschuttschicht säubern. Kein Benzin, Farbverdünner oder Lackverdünner verwenden, da es andernfalls zu Beschädigungen an Kunststoffteilen und lackierten Flächen kommt.

6.2 Lieferumfang

- 1 Maschine
- 1 Schrankgestell
- 1 Kühlmittelsystem
- 1 Maschinenleuchte
- 1 125mm 3-Backen-Spannfutter
- 1 125mm Spannfutter mit 4 separat einstellbaren Backen
- 1 Spannfutterschutzabdeckung
- 1 4-Wege-Werkzeughalter
- 1 Werkzeughalterschuttabdeckung
- 1 Wechselrädersatz
- 1 MT4 Feststehende Spitze
- 1 MT2 Feststehende Spitze
- 1 Lünette(Optional)
- 1 Mitlaufende Lünette(Optional)
- 1 Betriebswerkzeug in Werkzeugkasten
- 1 Ölkanne
- 1 Bedienungsanleitung und Teileliste
(siehe Ende des Dokuments für detaillierten Inhalt)

6.3 Montage

Die Maschine wird komplett montiert geliefert.

Den Antriebsriemen (Keilriemen) auflegen.

Kontrollieren, ob alle Befestigungselemente sicher und fest angebracht sind.

6.4 Anfängliche Schmierung

Die Maschine muss an allen Schmierstellen geschmiert werden, bevor sie in Betrieb genommen wird (siehe Abschnitt 11.1 Schmierung).

6.5 Aufstellung

Die Drehmaschine vom Boden der Transportkiste losschrauben. Zum Abheben der Maschine von der Palette hochbeanspruchbare faserverstärkte Traggurte verwenden.



Warnung:

Die Maschine ist sehr schwer (200 kg)! Prüfen, ob die Hebevorrichtungen ein ausreichendes Tragvermögen aufweisen und in einwandfreiem Zustand sind. Niemals den Bereich unter schwebenden Lasten betreten.

Damit die Maschine nicht umkippt, muss sie mit vier Ankerschrauben (nicht mitgeliefert) am Boden verschraubt werden.

Damit das Bett sich nicht verzieht, sicherstellen, dass die Einrichtfläche absolut eben und flach ist.

Ankerschrauben und Unterlegscheiben lösen. Schrauben anziehen, wenn erforderlich.

Damit bei den Bearbeitungen mit der Maschine eine hohe Genauigkeit erzielt werden kann, muss sie exakt nivelliert werden.

7.0 Elektrische Anschlüsse



WARNUNG:

Alle elektrischen Anschlüsse dürfen nur von einem qualifizierten Elektriker gemäß allen am Einsatzort geltenden Vorschriften und Verordnungen durchgeführt werden. Bei Nichtbeachtung kann es zu schwerwiegenden Verletzungen kommen.

Die Metalldrehbank PBD-2.555V ist für eine Dreiphasen-Stromversorgung mit 400 V, PE, 50 Hz bemessen. Die Maschinen werden mit einem Stecker geliefert, der für die Verwendung einer geerdeten Steckdose ausgelegt ist.

Der Netzanschluss und alle Verlängerungs-/Anschlusskabel und -stecker müssen den Anforderungen auf dem Kennschild der Maschine entsprechen.

Der Netzanschluss muss über eine träge Sicherung (16 A) verfügen.

Nur Netzkabel mit der Kennung H07RN-F mit Leitern mit einem Querschnitt von mindestens 1,5 mm² verwenden.

Das Netzkabel darf nicht länger als 18 Meter sein.

Netzkabel und Netzstecker müssen frei von Fehlern und Beschädigungen sein.

Anschlüsse und Reparaturen der elektrischen Ausrüstung dürfen ausschließlich von qualifizierten Elektrikern durchgeführt werden.

Diese Maschine verfügt über ein Netzkabel von 1,8 m Länge, das mit einem Netzstecker versehen ist.

Vor dem Anschluss an die Stromversorgung muss der Netzschalter ausgeschaltet (in der Stellung OFF) sein.

7.1 Anweisungen zur Erdung

Diese Maschine muss geerdet werden. Im Falle von Funktionsstörungen oder Ausfällen sorgt die korrekte Erdung für die Ableitung des Fehlerstroms über den Weg des geringsten Widerstands, um so das Stromschlagrisiko zu verringern. Diese Maschine ist mit einem Stromkabel mit Schutzleiter und einem Schutzkontakt am Stecker ausgestattet. Der Stecker muss in eine passende Steckdose gesteckt werden, welche in Übereinstimmung mit den örtlich geltenden Gesetzen und Bestimmungen montiert und geerdet ist.



WARNUNG:

Bei falschem Anschluss des Schutzleiters besteht Stromschlaggefahr. Sollten Zweifel bezüglich der korrekten Erdung der Steckdose bestehen, ist Rücksprache mit einem qualifizierten Elektriker oder dem Wartungspersonal zu halten. Keine Änderungen am Netzstecker der Maschine vornehmen.

Der Leiter mit grün-gelber Isolierung ist der Schutzleiter (Erdungsleiter). Sollte eine Reparatur oder Auswechslung des Netzkabels oder des

Steckers erforderlich sein, darauf achten, dass der Schutzleiter nicht mit einem Strom führenden Anschluss verbunden wird.

Es müssen Verlängerungskabel mit 3 Leitern und Erdungssteckern verwendet werden.

Beschädigte Netzkabel sofort reparieren oder ersetzen.

7.2 Verlängerungskabel

Es wird von der Verwendung von Verlängerungskabeln abgeraten. Versuchen Sie, die Maschine in der Nähe der Stromquelle aufzustellen. Ist die Verwendung eines Verlängerungskabels unumgänglich, muss sichergestellt sein, dass es in einwandfreiem Zustand ist.

Ist das Kabel zu klein bemessen, kommt es zu Spannungsabfällen, die Leistungsverlust und Überhitzung nach sich ziehen.

Nur Netzkabel mit der Kennung H07RN-F mit Leitern mit einem Querschnitt von mindestens 1,5 mm² verwenden.

Das Netzkabel darf nicht länger als 18 Meter sein.

Verlängerungskabel und Netzstecker müssen frei von Fehlern und Beschädigungen sein.

8.0 Einstellungen

8.1 Spindeldrehzahlbereich ändern

Die Drehzahlen der Drehbank und die Position des Riemens auf den Riemenscheiben (Abb. 8-1) werden über den Drehzahlregelknopf (W, Abb. 5-2) eingestellt.

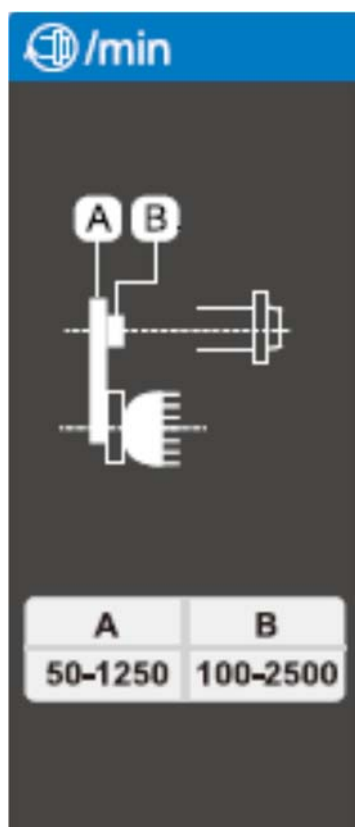


Abb. 8-1: Spindeldrehzahlbereich festlegen

A 50 ~ 1.250 min⁻¹ für max. Drehmoment

B 100 ~ 2.500 min⁻¹ für max. Drehzahl

Zum Ändern der Riemenposition die Riemenscheibenschutzabdeckung (C, Abb. 5-1) entfernen. Die Riemenscheibenabdeckung wieder anbringen.

8.2 Einrichten der Zahnradkombination

Die Riemenscheibenabdeckung entfernen.

Die Drehzahl der Leitspindel und somit die Vorschubgeschwindigkeit des Bearbeitungswerkzeugs wird über die Zahnradanordnung und durch Betätigung des Wählhebels für die Vorschubgeschwindigkeit (R, Abb. 5-2) festgelegt.

Die gewünschte Zahnradanordnung einstellen (Abb. 8-2).

		mm / ⌀						
	Z1	30	25					
	Z2	60	70					
	Z3	20	20					
	Z4	75	75					
	L	80	80					
	I	0.10	0.07					
II	0.20	0.14						
III	0.40	0.28						
		mm						
Z1	-	-	-	-	-	-	-	-
Z2	50	50	45	45	50	50	60	
Z3	75	80	80	80	80	80	80	
Z4	20	30	50	50	60	70	60	
L	80	75	75	60	60	60	45	
I	0.20	0.30	0.50	0.625	0.75	0.875	1.00	
II	0.40	0.60	1.00	1.25	1.50	1.75	2.00	
III	0.80	1.20	2.00	2.50	3.00	3.50	4.00	
		n/1"						
Z1	-	-	-	-	-	-	-	-
Z2	50	50	45	60	45	50	50	
Z3	70	85	75	50	80	85	85	
Z4	60	60	50	45	50	60	45	
L	65	60	60	85	65	80	70	
I	8.0	9.0	9.5	10	11	12	14	
II	16	18	19	20	22	24	28	
III	32	36	38	40	44	36	56	

Abb. 8-2: Umschaltzahnrad-Anordnung

Die Zahnräder für den oberen und und unteren Drehzahlbereich in Eingriff bringen.

Wenn ein Stück Papier zwischen die Zahnräder gelegt wird, kann der korrekte Zahnradabstand besser eingestellt werden (das Papier danach wieder herausnehmen!)

Die Riemenscheibenabdeckung wieder anbringen.

8.3 Kegeldrehen mit Reitstock

Das Werkstück mit zwischen den Spitzen angebrachtem Mitnehmer montieren. Der Mitnehmer wird über die Planscheibe angetrieben.

Die Reitstockspitze mit Fett schmieren, damit die Spitze nicht überhitzt.

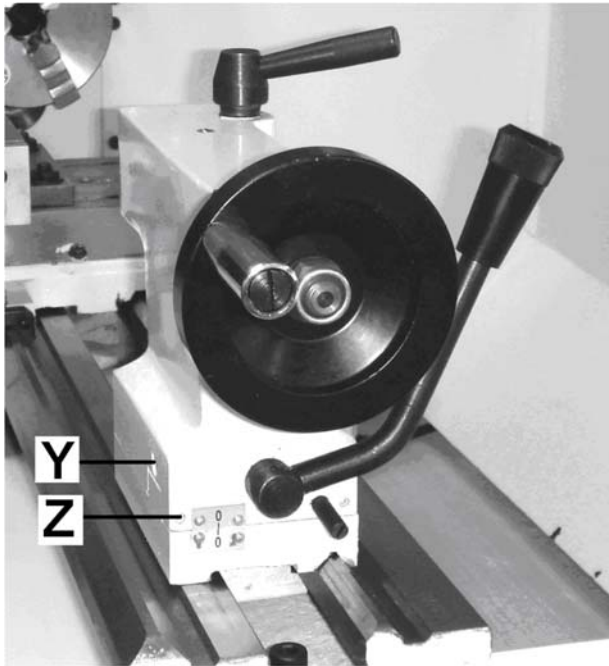


Abb. 8-3: Kegeldrehen zwischen Spitzen

Für das Kegeldrehen den Reitstock verstellen. Die Klemmschrauben (Z, Abb. 8-3) lösen und den Einstellvorgang mithilfe der Schrauben (Y) vornehmen.

Nach dem Kegeldrehen muss der Reitstock wieder in seine ursprüngliche Position gebracht werden. Eine Probewerkstück drehen und die Einstellung korrigieren, bis ein perfekter Zylinder gedreht wird.

8.4 Kegeldrehen mit Oberschlitten

Das Kegeldrehen kann auch durch entsprechende Einstellung des Oberschlittens ausgeführt werden.

Die zwei Sechskantmuttern (A, Abb. 8-4) lösen und den Oberschlitten entsprechend der Teilstrichskala (B) drehen.

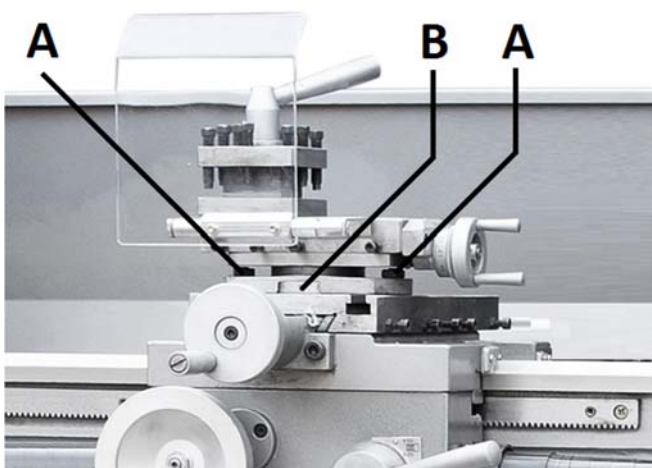


Abb. 8-4: Kegeldrehen mit Oberschlitten

8.5 Dreibacken-Universalspannfutter

Mit diesem Universalspannfutter kann zylindrisches, dreieck- und sechskantförmiges Stangenmaterial aufgespannt werden.

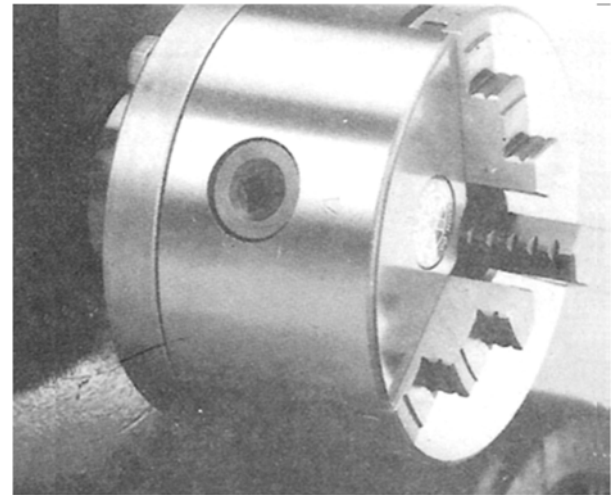


Abb. 8-5: Dreibacken-Universalspannfutter

Zum Aufspannen von Stangenmaterial mit großem Durchmesser dient ein Außenspannbacken-Satz.

Die Spannbacken müssen in der korrekten Reihenfolge in das Futter eingesetzt werden.

Zum Schmieren der Spannbacken Molykote Paste G (oder ein gleichwertiges geeignetes Schmierfett) verwenden.

8.6 Spannfutter mit vier einzeln verstellbaren Backen (optional)

Dieses Futter verfügt über vier einzeln und somit unabhängig voneinander einstellbare Spannbacken (Abb 8-6).

Damit können Vierkant - und asymmetrische Werkstücke aufgespannt werden und es wird ein konzentrisches Einrichten von zylindrischen Teilen ermöglicht.



Abb. 8-6: Spannfutter mit vier einzeln verstellbaren Backen

8.7 Umlaufende Spitze (Option)

Die umlaufende Spitze (Abb. 8-7) ist unter Verwendung von Kugellagern montiert.

Ihr Einsatz wird bei Drehzahlen über 500 min⁻¹ empfohlen.

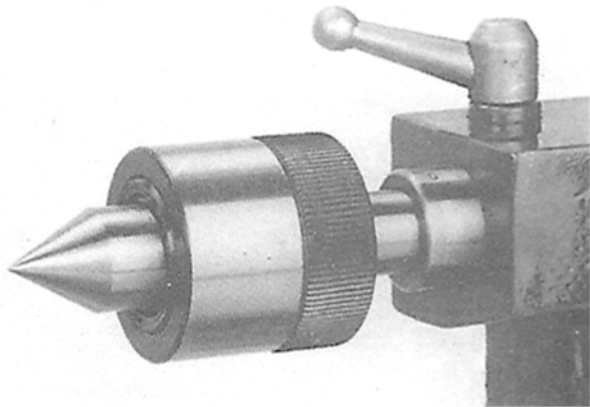


Abb. 8-7: Umlaufende Spitze

Zum Ausstoßen der umlaufenden Spitze muss die Reitstockpinole ganz zurückbewegt werden.

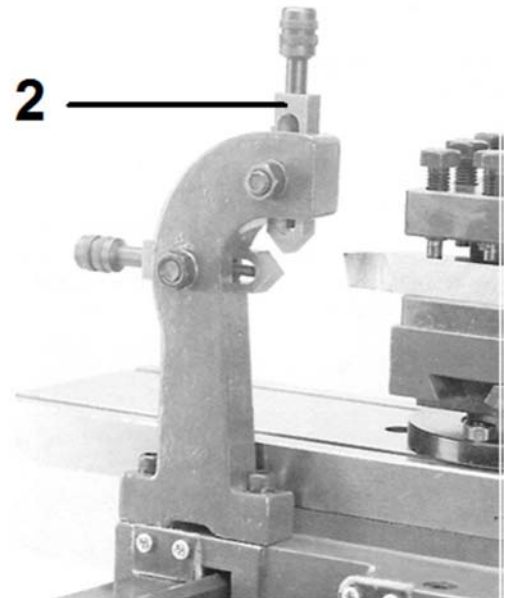


Abb. 8-9: Mitlaufende Lünette

Die Finger (2) fest, aber nicht auf zu starken Druck einstellen. Die Finger schmieren, damit sie sich nicht vorzeitig abnutzen.

8.8 Lünette und mitlaufende Lünette (Option)

Diese Lünetten (Setzstücke) unterschiedlichen Typs verhindern, dass sich lange und dünne Werkstücke unter dem vom Werkzeug ausgeübten Druck verbiegen.

Die Lünette (Abb. 8-8) dient als Abstützung für längerer Wellen und stellt einen sicheren und ratterfreien Betrieb sicher.

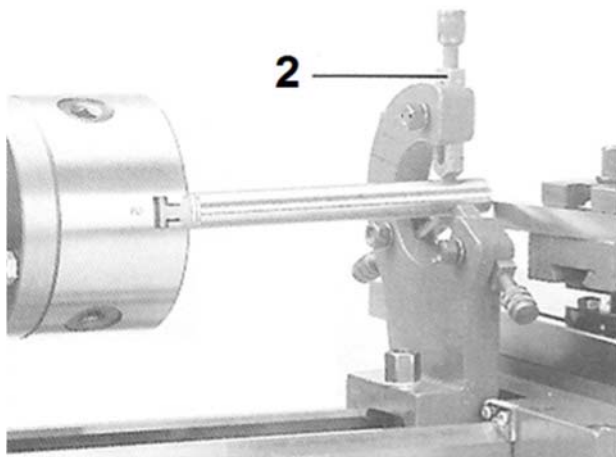


Abb. 8-8: Lünette

Die mitlaufende Lünette (Abb. 8-9) ist am Hauptschlitten installiert und folgt der Werkzeugbewegung.

9.0 Bedienelemente

Siehe Abb. 9-1:

RWahlknopf für Vorschub
S Vorschub vorwärts/rückwärts
T Kühlmittelzufuhr EIN/AUS
USpindel EIN/AUS
VSpindel vorwärts/rückwärts
W Drehzahlregelknopf
X Not-Aus
Y Spindeldrehzahlanzeige

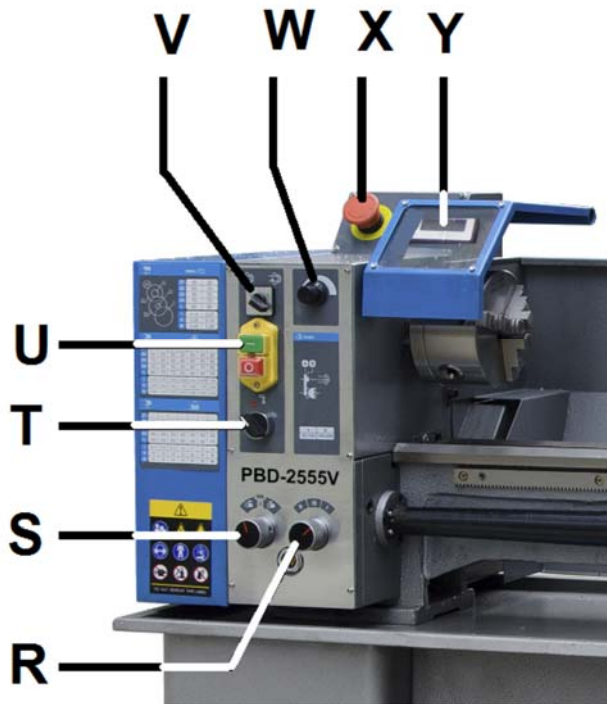


Abb. 9-1: Bedienelemente

10.0 Bedienung der Maschine

10.1 Bearbeitungsbetrieb ausführen

Vor dem Starten des Maschinenbetriebs prüfen, ob das Werkstück korrekt aufgespannt ist.

Vor dem Starten des Maschinenbetriebs muss die Spannutterabdeckung geschlossen werden.

Die Laufrichtung wählen - vorwärts oder rückwärts (V, Abb. 9-1).

Die Maschine kann mit dem grünen Einschalter (ON) (U) gestartet werden. Bei Betätigung des roten Ausschalters (OFF) wird der Maschinenbetrieb gestoppt.

Die Drehzahl kann mit dem Drehzahlregelknopf (W) eingestellt werden.

Die Spindeldrehzahl wird auf der Anzeige (Y) angezeigt.

Bei Betätigung des Not-Aus-Tasters (X) werden alle Maschinenfunktionen sofort gestoppt.

Den Not-Aus-Taster im Uhrzeigersinn drehen, um ihn rückzustellen.

Die Arbeitsleuchte (G, Abb. 5-1) ist nicht damit gekoppelt. Sie wird mit der EIN/AUS-Taste oben am Leuchtgehäuse ein- und ausgeschaltet.

Die Maschine vom Stromnetz abklemmen, wenn sie nicht benutzt wird!

10.2 Aufspannen

Die maximale Drehzahl der Werkstückaufspanvorrichtung nicht überschreiten.

Spannbacken-Zähne und -Zahnkränze müssen stets voll im Eingriff sein. Anderenfalls können die Spannutterbacken brechen und infolge der Rotationskraft weggeschleudert werden (Abb. 10-1).

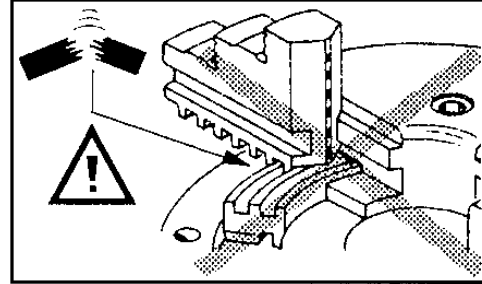


Abb. 10-1: Backen schlecht im Eingriff

Darauf achten, dass lange Werkstück abgestützt werden. Die freitragende Länge darf nicht zu groß sein. Solche Werkstücke können sich verbiegen (Abb. 10-2) oder weggeschleudert werden (Abb. 10-3). Zum Abstützen den Reitstock oder die Lünette verwenden.

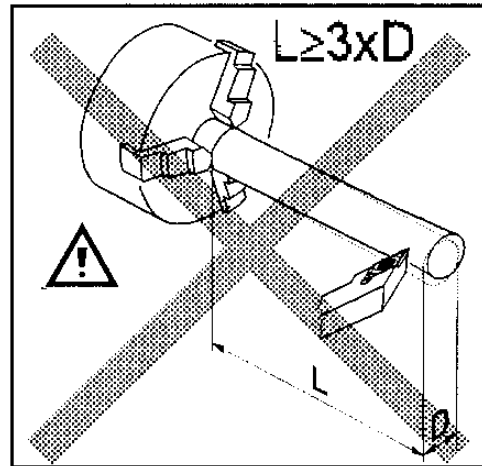


Abb. 10-2: Werkstück zu lang

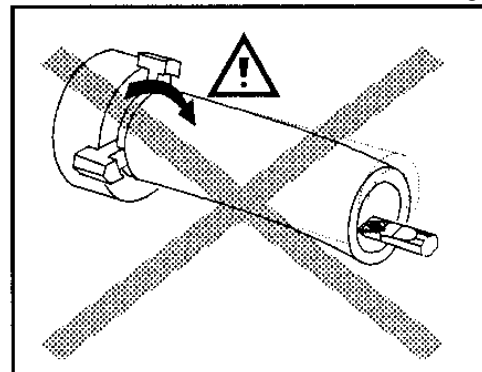


Abb. 10-3: Werkstück zu lang

Zu kurzen Klemmkontakt (A, Abb. 10-4) oder Einspannen schmaler Umfangsbereiche vermeiden (B). Das Werkstück mit der Stirnfläche korrekt aufspannen, damit eine bessere Abstützung sichergestellt ist.

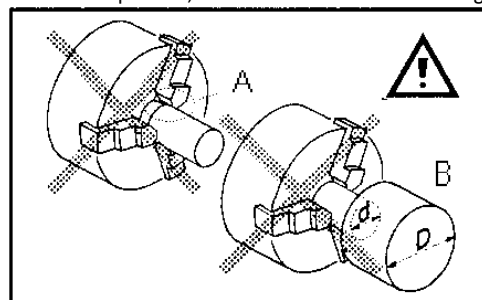


Abb. 10-4: Schlechte Aufspannung

10.3 Einrichten der Bearbeitungswerkzeuge

Der Schnittwinkel ist korrekt, wenn die Schneide in einer Linie mit der Mittelachse des Werkstücks ausgerichtet ist. Die äußerste Spitze der Reitstockspitze als Ausrichthilfe benutzen. Beilagscheiben unter das Werkzeug legen, um die korrekte Spitzenhöhe zu erhalten (Abb. 10-5).

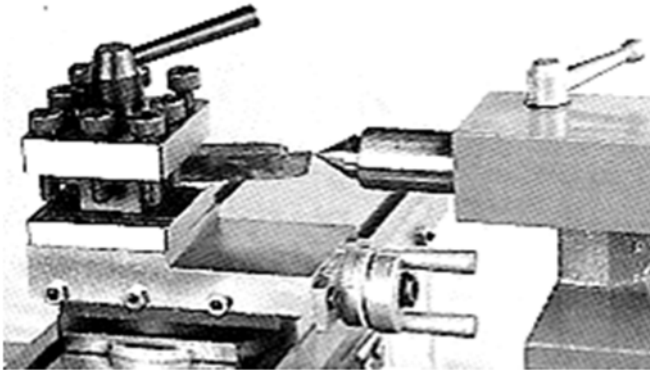


Abb. 10-5: Einrichten der Bearbeitungswerkzeuge

Zum Sichern des Bearbeitungswerkzeugs mindestens zwei Befestigungsschrauben verwenden.

Die Auskraglänge des Werkzeugs darf nicht zu groß sein.

10.4 Empfohlene Spindeldrehzahlen

ACHTUNG:

Allgemein gilt folgendes: Je kleiner der Bearbeitungsdurchmesser, desto höher die erforderliche Drehzahl. Bei weichen Materialien muss die Drehzahl höher sein als bei harten Metallen.

Metall wird üblicherweise unter Zuführung von Kühlmittel oder Schneidöl bearbeitet.

Empfohlene Drehzahlen für die bearbeitung eines 10-mm-Durchmessers mit HSS-Werkzeugen (Schnellarbeitsstahl):

- Kunststoff: 2.500 min⁻¹
- Aluminium: 2.500 min⁻¹
- Messing: 1.000 min⁻¹
- Gusseisen: 1.000 min⁻¹
- Weichstahl: 800 min⁻¹
- Unlegierter Hartstahl: 600 min⁻¹
- Rostfreier Stahl: 300 min⁻¹

Bei Hartmetallwerkzeugen (HM) können 5-mal höhere Drehzahlen gewählt werden.

Beispiel:

Drehen von Weichstahl mit einem Durchmesser von 20 mm:

- Mit Schnellarbeitsstahl (HSS) 400 min⁻¹
- Mit Hartmetallwerkzeug 2.000 min⁻¹

10.5 Manuelles Drehen

Schlosskastenverstellweg (Z, Abb. 10-6), Querverfahrweg (AA) und Oberschlittenverfahrweg (BB) können auf Längs- und Planvorschub eingestellt werden.

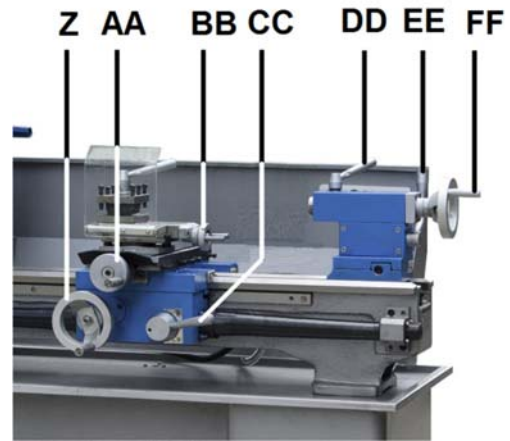


Abb. 10-6: Bedienelemente der Maschine

Die korrekte Vorschubgeschwindigkeit hängt vom zu bearbeitenden Werkstoff, vom Bearbeitungsvorgang, vom Werkzeugtyp, von der Steifigkeit der Aufspannung des Werkstücks und von der gewünschten Oberflächengüte ab.

10.6 Drehen mit automatischem Vorschub

Den Mutterschlossebel (CC, Abb. 10-6) nach unten drücken, um den automatischen Längsvorschub zu aktivieren. Zum Deaktivieren nach oben drücken.

Durch Drehen des Vorschubwahlknopfs (R, Abb. 9-1) kann zwischen drei verschiedenen Vorschubgeschwindigkeiten gewählt werden.

Beispiel:

Betrieb	Vorschub/U	Wahlknopf
Materialabtrag	0,28 mm	III
Schlichten	0,14 mm	II
Feinschlichten	0,07 mm	I

HINWEIS: Je nach Umschaltzahnradanordnung sind zwei drei Vorschubgeschwindigkeitsstufen verfügbar (Abb. 10-7).

mm / ⌀		
Z1	30	25
Z2	60	70
Z3	20	20
Z4	75	75
L	80	80
I	0.10	0.07
II	0.20	0.14
III	0.40	0.28

Abb. 10-7: Verfügbare Vorschubgeschwindigkeiten

Die korrekte Vorschubgeschwindigkeit hängt vom zu bearbeitenden Werkstoff, vom Bearbeitungsvorgang, vom Werkzeugtyp, von der Steifigkeit der Aufspannung des Werkstücks und von der gewünschten Oberflächengüte ab.

Beim Schruppen großer Durchmesser die Schnitttiefe verringern!

10.7 Gewindeschneiden

Das Gewindeschneiden wird in mehreren Bearbeitungsdurchgängen mit einem Gewindeschneidwerkzeug ausgeführt.

Die Schnitttiefen sollten jeweils ca. 0,2 mm betragen und bei den Schlichtdurchgängen kleiner werden.

A) Zoll- und metrische Gewinde schneiden

Die Maschine auf die gewünschte Gewindesteigung einstellen (Siehe Abschnitt 8-2).

Die niedrigstmögliche Spindeldrehzahl wählen.

Die Halbmutter (CC, Abb. 10-6) einrücken.

HINWEIS: Die Halbmutter muss während des gesamten Gewindeschneidprozesses eingerückt bleiben.

- Das Werkzeug für den Gewindeschneiddurchgang einrichten.

- Den Motor starten.

- Wenn sich das Werkzeug dem Schnittende nähert, den Motor stoppen und gleichzeitig das Werkzeug abrücken, so dass in diesem Abschnitt kein Gewinde eingearbeitet wird.

- Den Motor starten und auf die andere Drehrichtung umschalten und das Bearbeitungswerkzeug zum Anfangspunkt zurückbewegen.

Diese Schritte wiederholen, bis das gewünschte Ergebnis erreicht ist.

B) Zum Schneiden von metrischen Gewinden mit den Steigungen 0,4/0,5/1,0/2,0 mm:

Die Halbmutter kann am Schnittende geöffnet werden. Dies ist dem Stoppen und Laufenlassen des Motors in umgekehrter Richtung vorzuziehen.

10.8 Bohrvorgang

Ein Bohrfutter mit MT2-Dorn (Option) verwenden, um Zentrierbohrer und Spiralbohrer im Reitstock einzuspannen (Abb. 10-8).

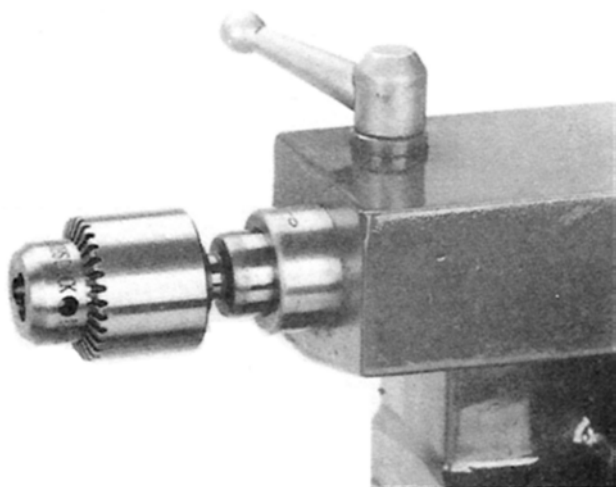


Abb. 10-8: Bohren

Zu den empfohlenen Drehzahlen siehe Abschnitt 10.4.

Zum Ausstoßen des Bohrfutters muss die Reitstockpinole ganz zurückbewegt werden.

11.0 Wartung seitens des Anwenders



WARNUNG:

Vor allen Arbeiten an der Maschine muss sie von der Stromversorgung getrennt werden. Dazu den Netzstecker ziehen. Bei Nichtbeachtung kann es zu schwerwiegenden Verletzungen kommen.

Die ordnungsgemäße Reinigung der Maschine, der Arbeitstische, des Betts, des Hauptschlittens und der anderen Schlitten, des Bodens und der Umgebung ist ein entscheidender Faktor für die Gewährleistung der Sicherheit.

Nicht gesicherte Gegenstände und Trümmer o.ä. können in Kontakt mit dem sich bewegenden Spannfutter oder Werkstück kommen, wodurch Gefahrensituationen entstehen.

Die Spänewanne regelmäßig ausleeren.

Das Kühlmittel regelmäßig wechseln; dabei die Herstelleranweisungen beachten.

Sicherstellen, dass alle Schrauben fest angezogen sind und die Elektrokabel in einwandfreiem Zustand sind. Ist ein Elektrokabel abgenutzt oder weist es Einschnitte oder andere Beschädigungen auf, muss es sofort ausgetauscht werden.

11.1 Schmierung

Die Spindellager sind dauergeschmiert und versiegelt. Es ist keine zusätzliche Schmierung erforderlich.

Wöchentlich Öl zuführen:

DIN 51502 CG ISO VG 68

(z.B. BP Maccurat 68, Castrol Magna BD 68, Mobil Vectra 2)

- 1...Kugeln der Umschaltzahnradnaben ölen
- 2...Bettführungsbahnen mit etwas Öl versehen
- 3...Reitstockpinole über die gesamte Länge ölen
- 4...Leitspindel über die gesamte Länge ölen
- 5...Kugel an der Leitspindelhalterung ölen
- 6...Kugeln am Oberschlitten ölen
- 7...Kugeln am Reitstock ölen
- 8...Kugeln am Hauptschlitten ölen
- 9...Kugeln am Schlosskasten ölen

Schmierfett monatlich zuführen:

DIN 51807-1 Schmierfett, das nicht abgeschleudert wird

(z.B. BP L2, Mobilgrease Special).

- 10...Zähne der Umschaltzahnräder mit Fett schmieren
- 11...Zahnstange über die gesamte Länge mit Fett versehen

Getriebeöl:

DIN 51517-2 CL ISO VG 68

(z.B. BP Energol HLP68, Mobil DTE Oil Heavy Medium)

Der Ölpegel muss bis zur Anzeigemarke im Ölschauglas reichen.

Bei Bedarf Öl einfüllen, nachdem der Stopfen auf der rechten Seite des Getriebekastens entfernt wurde.

12.0 Störungsbeseitigung

Symptom	Mögliche Ursache	Gegenmaßnahme*
Drehbank startet nicht.	Drehbank von Steckdose oder Generator getrennt.	Alle Steckeranschlüsse prüfen.
	Sicherung durchgebrannt oder Trennschalter wurde ausgelöst.	Sicherung ersetzen oder Trennschalter rückstellen.
	Kabel beschädigt.	Kabel ersetzen.
	Spannfutter-Schutzabdeckung nicht geschlossen.	Die Spannfutter-Schutzabdeckung schließen.
	Riemenscheibenabdeckung entfernt	Riemenscheibenabdeckung anbringen
Drehmaschine erreicht gewünschte Drehzahl nicht.	Verlängerungskabel zu dünn oder zu lang.	Durch Kabel von geeigneter Stärke und Länge ersetzen.
	Strom zu niedrig.	Einen qualifizierten Elektriker verständigen.
Drehbank vibriert zu stark.	Fuß bzw. Sockel auf unebenem Untergrund.	Drehbank auf ebene Fläche stellen.
	Drehmaschine nicht am Boden verschraubt	Drehmaschine am Boden anschrauben
	Werkstück nicht ausgewuchtet	Drehzahl verringern
	Werkstück hängt durch	Einspannlänge/durchmesser verbessern, mit Reitstock abstützen
	Werkzeug hängt durch	Länge des Werkzeugs verringern
	Schlittenspiel	Schlitten korrekt einstellen
	Schlitten laufen trocken	Mit Öl schmieren
	Stumpfe Werkzeugschneide	Nachschärfen oder Werkzeug gegen neues austauschen
Zu laute Betriebsgeräusche	Zerspanungsvolumen zu hoch	Schnittiefe oder Vorschubgeschwindigkeit verringern
	Umschaltzahnradnaben trocken.	Mit Öl schmieren.
Brandflecke an der Werkzeugschneide	Umschaltzahnäder trocken	Mit Fett schmieren.
	Bearbeitungsgeschwindigkeit zu hoch.	Spindeldrehzahl verringern
	Stumpfe Werkzeugschneide.	Nachschärfen oder Werkzeug gegen neues austauschen
	Trockene Bearbeitung.	Kühlmittel verwenden.
Maschine dreht Kegel.	Zustellung zu langsam.	Vorschubgeschwindigkeit erhöhen.
	Reitstock nicht korrekt ausgerichtet.	Reitstockposition korrigieren.
	Maschinenbett verzogen.	Ständeraufsetzfläche muss eben und flach sein. Bei Bedarf Beilagscheiben verwenden.
Werkstück hängt durch.	Werkstück hängt durch.	Schnittiefe oder Vorschubgeschwindigkeit verringern
	Bohrfutter oder Dorn bleibt nicht an der gleichen Stelle.	Schmutz, Fett o.ä. an Dorn, Futter oder Reitstockpinole. Alle Passflächen gründlich mit einem Reinigungs-/Entfettungsmittel reinigen.

* **WARNUNG:** Einige Korrekturen und Abhilfemaßnahmen müssen u.U. von einem qualifizierten Elektriker durchzuführen.

Tabelle 1

13.0 Umweltschutz

Schützen Sie die Umwelt.

Sämtliche Verpackungsmaterialien umweltfreundlich entsorgen.

Kühlmittel umweltfreundlich entsorgen.

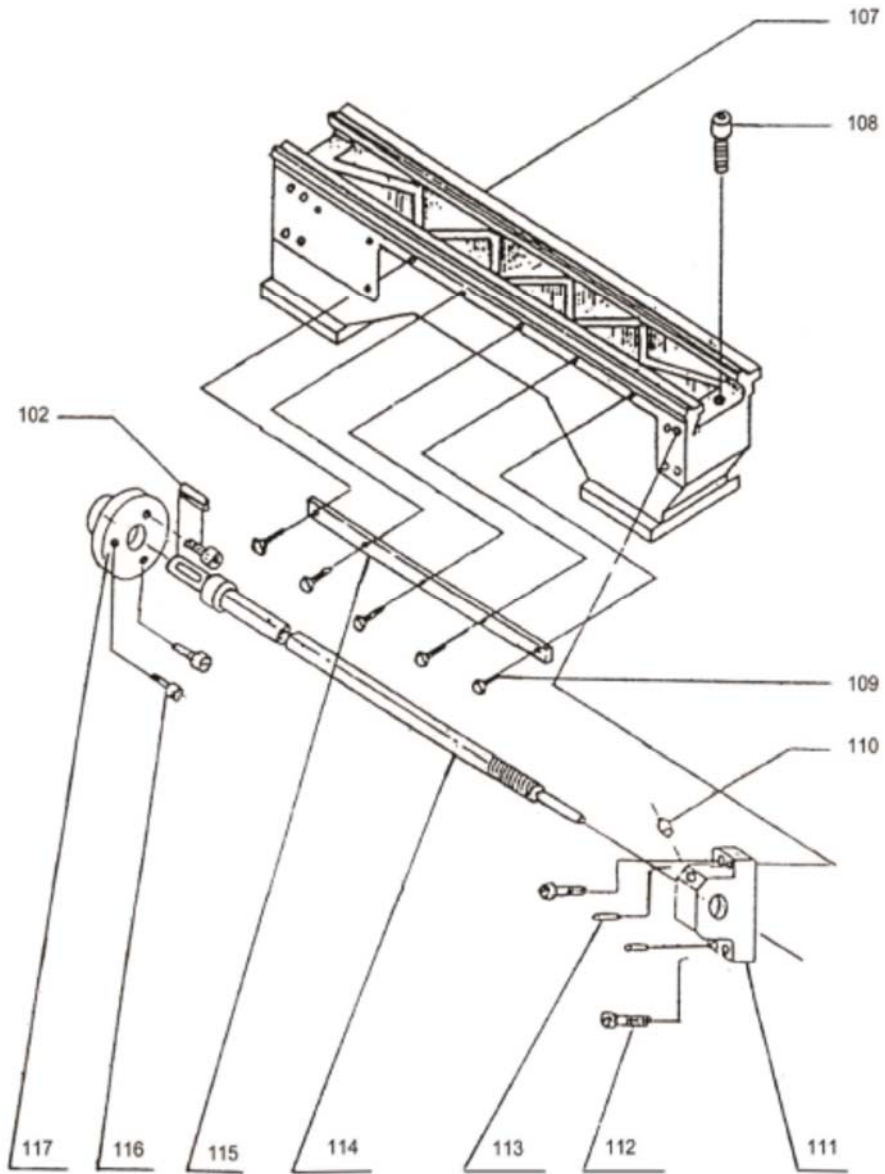
Ihre Maschine enthält wertvolle Materialien, die zurückgewonnen bzw. wiederverwertet werden können. Bitte die Entsorgung von einem Fachunternehmen ausführen lassen.

14.0 Verfügbares Zubehör

Siehe die Preisliste von JET.

15.0 Ersatzteile

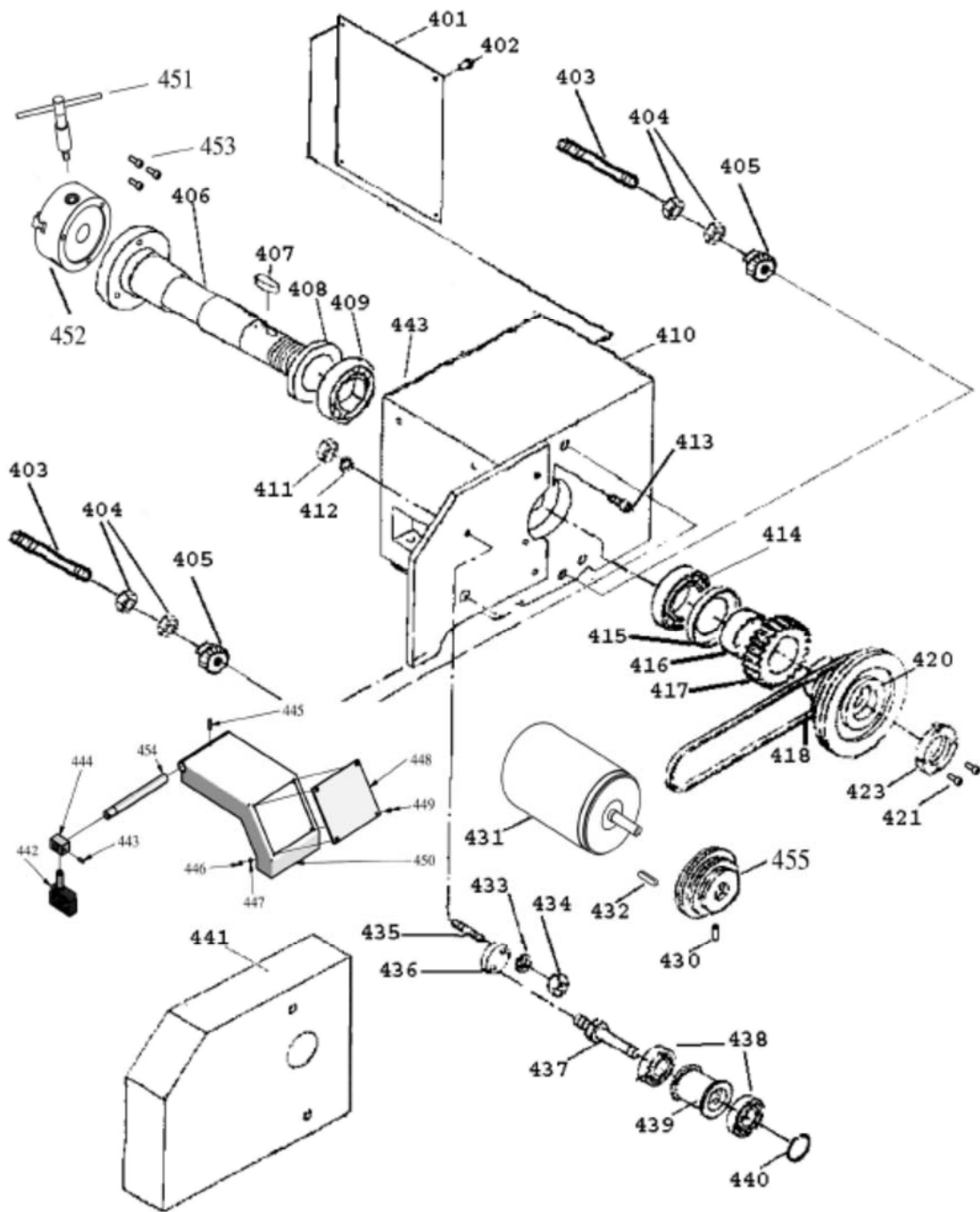
PBD-2555V Explosionszeichnung - 1



PBD-2.555V Teileliste Explosionszeichnung - 1

Index Nr.	Teil Nr.	Beschreibung	Größe	Anz.
102	PBD2555V-1	FLACHKEIL	4 x 12 mm	1
107	PBD2555V-1-107	MASCHINENBETT		1
108	PBD2555V-2	INNENSECHSKANTSCHRAUBE M8x12	M8 x 12	1
109	PBD2555V-3	INNENSECHSKANTSCHRAUBE M5x12	M5 x 12	5
110	PBD2555V-4	KUGELÖLER	6	1
111	PBD2555V-1-111	RECHTER LAGERBOCK		1
112	PBD2555V-5	INNENSECHSKANTSCHRAUBE M6x16	M6 x 16	4
113	PBD2555V-6	FLACHKEILKEGELSTIFT 6x22	DIN 6885	2
114	PBD2555V-1-114	LEITSPINDEL		1
115	PBD2555V-1-115	ZAHNSTANGE		1
116	PBD2555V-7	INNENSECHSKANTSCHRAUBE M4x16	M4 x 16	3
117	PBD2555V-1-117	EINSTELLFLANSCH		1

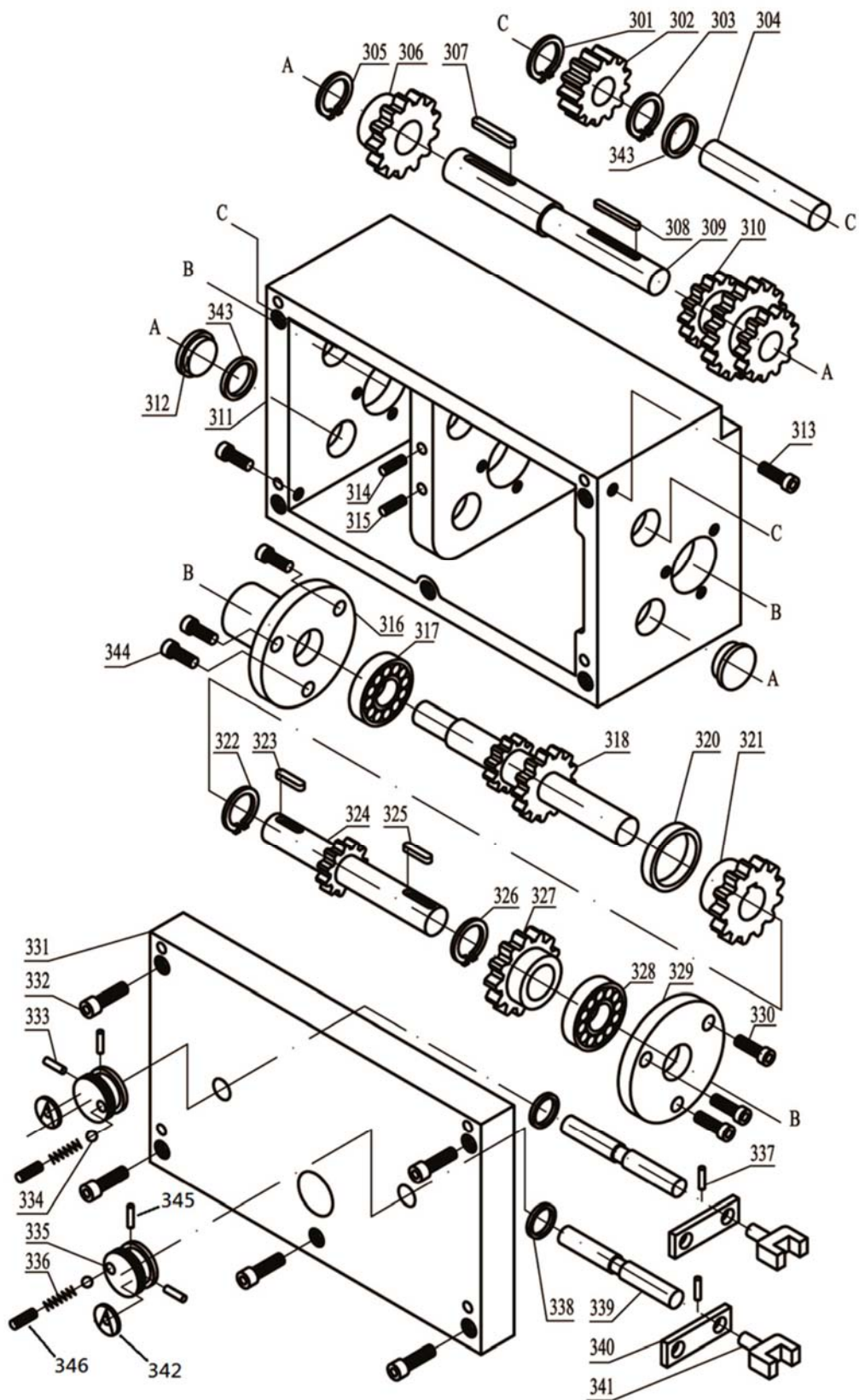
PBD-2555V Explosionszeichnung - 2



PBD-2.555V Teileliste Explosionszeichnung - 2

Index Nr.	Teil Nr.	Beschreibung	Größe	Anz.
401	PBD2555V-2-401	TYPENSCHILD		1
402	PBD2555V-8	BEFESTIGUNGSSCHRAUBE	M4 x 10	6
403	PBD2555V-2-403	SCHUTZABDECKUNG FÜR GEWINDESTANGE		2
404	PBD2555V-9	MUTTER	M10	4
405	PBD2555V-2-405	RÄNDELMUTTER		2
406	PBD2555V-2-406	ARBEITSSPINDEL		1
407	PBD2555V-10	PASSFEDER	8x45	1
408	PBD2555V-2-408	RING		1
409	PBD2555V-11	LAGER	32009	1
410	PBD2555V-2-410	SPINDELSTOCK		1
411	PBD2555V-12	MUTTER	M10	1
412	PBD2555V-13	UNTERLEGSCHIEBE	10	1
413	PBD2555V-14	INNENSECHSKANTSCHRAUBE	M8 x 25	1
414	PBD2555V-15	LAGER	32009	1
415	PBD2555V-2-415	RING		1
416	PBD2555V-2-416	BUCHSE		1
417	PBD2555V-2-417	ZAHNRAD		1
418	PBD2555V-2-418	KURZKEILRIEMEN	7M-730	1
420	PBD2555V-2-420	RIEMENSCHIEBENKOMBINATION ARBEITSSPINDEL		1
421	PBD2555V-16	INNENSECHSKANTSCHRAUBEN	M5 x 12	2
423	PBD2555V-17	WELLENMUTTER (RILLENNUT)		1
430	PBD2555V-18	GEWINDESTIFT	ISO 4028-M6 x 10	1
431	PBD2555V-2-431	MOTOR	110ZYT59T1	1
432	PBD2555V-19	FLACHKEIL	4 x 30 mm	1
433	PBD2555V-20	UNTERLEGSCHIEBE		1
434	PBD2555V-21	SECHSKANTMUTTER M8	DIN 439	1
435	PBD2555V-2-435	INNENSECHSKANTSCHRAUBEN		1
436	PBD2555V-2-436	EXZENTER DER SPANNRIEMENSCHIEBE		1
437	PBD2555V-2-437	WELLE DER SPANNRIEMENSCHIEBE		1
438	PBD2555V-22	LAGER 6001RZ	6001RZ	2
439	PBD2555V-2-439	SPANNRIEMENSCHIEBE		1
440	PBD2555V-23	SICHERUNGSRING		1
441	PBD2555V-2-441	HÄNGERADKASTENABDECKUNG		1
442	PBD2555V-2-442	MIKROSCHALTER		1
443	PBD2555V-24	SECHSKANTZYLINDERSCHRAUBENSATZ	M5 x 12	1
444	PBD2555V-2-444	WELLENHÜLSE		1
445	PBD2555V-25	ZYLINDERSTIFT	3x20	1
446	PBD2555V-26	MUTTER	M4	4
447	PBD2555V-27	FLACHE UNTERLEGSCHIEBE	Φ4	4
448	PBD2555V-2-448	SCHUTZGLASABDECKUNGEN		1
449	PBD2555V-28	INNENSECHSKANTSCHRAUBE	M4 x 10	4
450	PBD2555V-2-450	SPANNFUTTERSCHUTZHAUBE		1
451	PBD2555V-2-451	SCHLÜSSEL FÜR 3-BACKEN-SPANNFUTTER	10 mm	1
452	PBD2555V-2-452	3-BACKEN-SPANNFUTTER	K11-125	1
453	PBD2555V-29	INNENSECHSKANTSCHRAUBE	M8 x 35	3
454	PBD2555V-2-454	WELLE SPANNFUTTERSCHUTZ		1
455	PBD2555V-2-455	MOTORRIEMENSCHIEBE		1

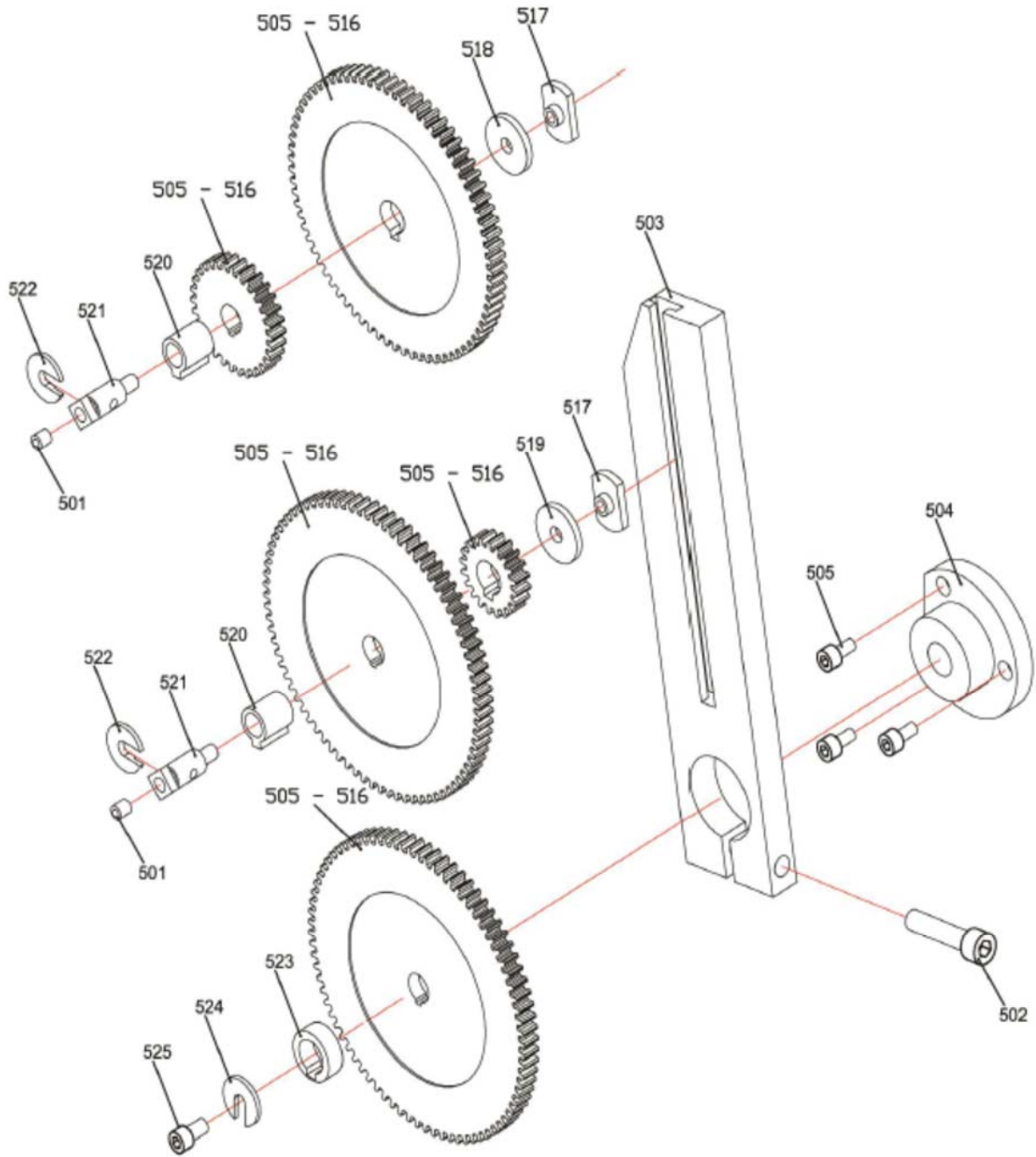
PBD-2555V Explosionszeichnung - 3



PBD-2.555V Teileliste Explosionszeichnung - 3

Index	Teil			
Nr.	Nr.	Beschreibung	Größe	Anz.
301	PBD2555V-30	SICHERUNGSSCHEIBE	Φ12	1
302	PBD2555V-3-302	ZAHNRAD		1
303	PBD2555V-31	SICHERUNGSSCHEIBE	Φ12	1
304	PBD2555V-3-304	WELLE C		1
305	PBD2555V-3-305	SICHERUNGSSCHEIBE FÜR WELLE Φ16		1
306	PBD2555V-3-306	ZAHNRAD		1
307	PBD2555V-32	PASSFEDER	4x30	1
308	PBD2555V-33	PASSFEDER	4x60	1
309	PBD2555V-3-309	WELLE A		1
310	PBD2555V-3-310	ZAHNRADKOMBINATION		1
311	PBD2555V-3-311	ZAHNRADKASTEN		1
312	PBD2555V-3-312	STECKER		2
313	PBD2555V-3-313	GEWINDESTIFT ZG3/8	ZG 3/8	2
314	PBD2555V-34	INNENSECHSKANTSCHRAUBE	M6 x 10	1
315	PBD2555V-35	INNENSECHSKANTSCHRAUBE	M6 x 10	1
316	PBD2555V-3-316	FLANSCH		1
317	PBD2555V-3-317	LAGER	180202	1
318	PBD2555V-3-318	ZAHNRAD		1
319	PBD2555V-3-319	WELLE	1215	1
320	PBD2555V-3-320	WELLENRING		1
321	PBD2555V-3-321	ZAHNRAD		1
322	PBD2555V-36	SICHERUNGSRING	Φ15	1
323	PBD2555V-37	PASSFEDER	4x14	1
324	PBD2555V-3-324	LANGRITZEL		1
325	PBD2555V-38	PASSFEDER	4x10	1
326	PBD2555V-39	SICHERUNGSSCHEIBE	Φ15	1
327	PBD2555V-3-327	ZAHNRAD		1
328	PBD2555V-3-328	LAGER	180202	1
329	PBD2555V-3-329	FLANSCHDECKEL DER LEITSPINDEL		1
330	PBD2555V-40	INNENSECHSKANTSCHRAUBE	M6 x 12	3
331	PBD2555V-3-331	VORDERE PLATTE		1
332	PBD2555V-41	INNENSECHSKANTSCHRAUBE M6X20	M6 x 20	5
333	PBD2555V-42	FEDERSTIFT ISO8752	A5 x 30	2
334	PBD2555V-43	STAHLKUGEL	Φ5	2
335	PBD2555V-3-335	WAHLSCHALTER		2
336	PBD2555V-44	FEDER	0, 8x45x11	2
337	PBD2555V-45	STIFT	Φ5 x 20	2
338	PBD2555V-46	O-RING	1800710	2
339	PBD2555V-3-339	WELLE		2
340	PBD2555V-3-340	PLATTE		2
341	PBD2555V-3-341	GABEL		2
342	PBD2555V-3-342	WAHLSCHALTERMARKE		2
343	PBD2555V-3-343	GUMMIDICHTRING 14,0X2,65		2
344	PBD2555V-3-344	INNENSECHSKANTSCHRAUBE	M5 x 12	3
345	PBD2555V-3-345	INNENSECHSKANTSCHRAUBE		1
346	PBD2555V-3-346	INNENSECHSKANTSCHRAUBE		1

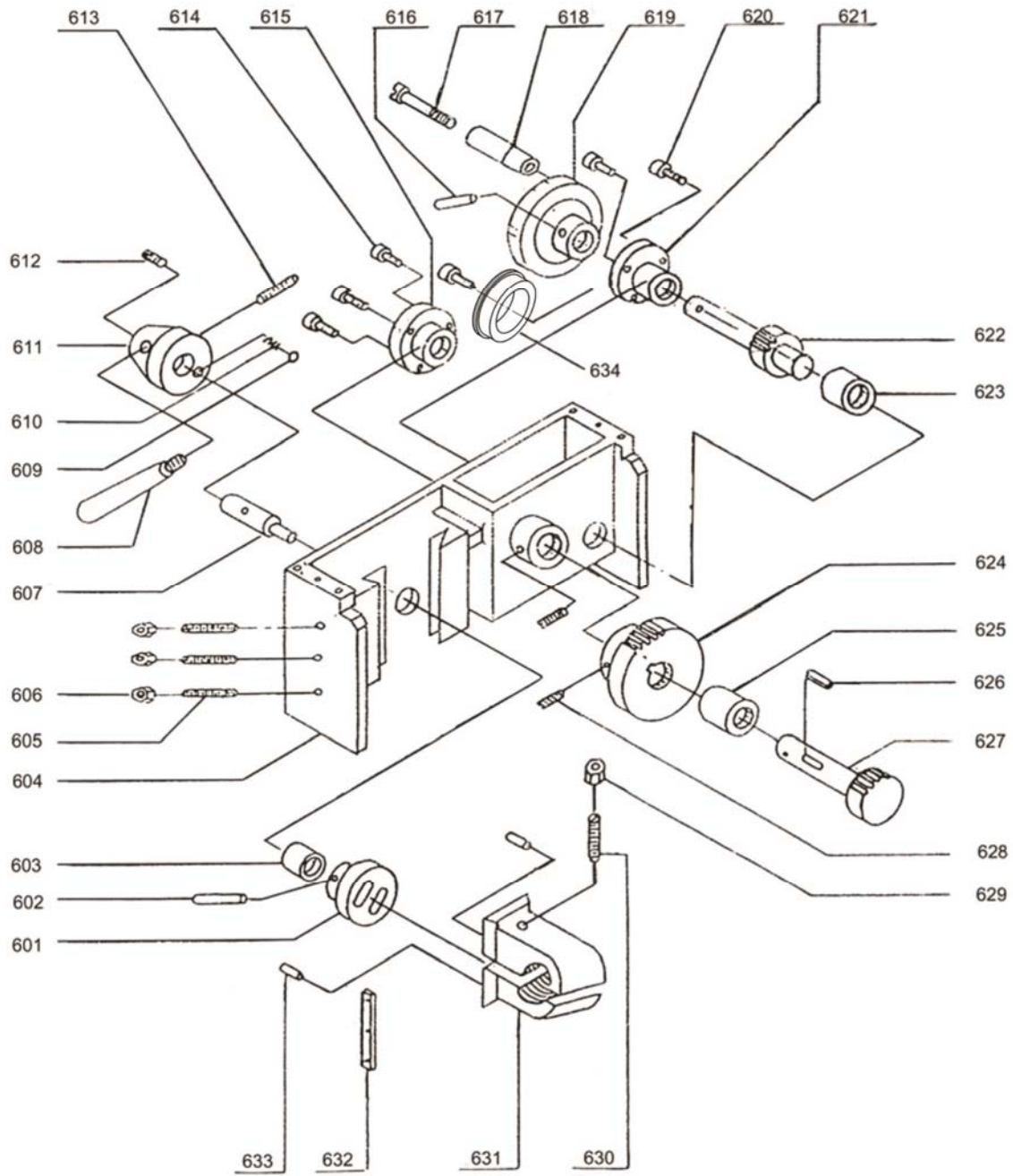
PBD-2555V Explosionszeichnung - 4



PBD-2.555V Teileliste Explosionszeichnung - 4

Index Nr.	Teil Nr.	Beschreibung	Größe	Anz.
501	PBD2555V-47	ÖLSCHMIERNIPPEL		2
502	PBD2555V-48	INNENSECHSKANTSCHRAUBE DIN912	M8 x 35	1
503	PBD2555V-4-503	WECHSELRADSCHIENE		1
504	PBD2555V-4-504	LAGERBOCK		1
505	PBD2555V-49	INNENSECHSKANTSCHRAUBE DIN912	M5 x 10	3
506	PBD2555V-4-506	ZAHNRAD Z85, Modul 1,5		1
507	PBD2555V-4-507	ZAHNRAD Z80, Modul 1,5		1
508	PBD2555V-4-508	ZAHNRAD Z75, Modul 1,5		1
509	PBD2555V-4-509	ZAHNRAD Z70, Modul 1,5		1
510	PBD2555V-4-510	ZAHNRAD Z65, Modul 1,5		1
511	PBD2555V-4-511	ZAHNRAD Z60, Modul 1,5		2
512	PBD2555V-4-512	ZAHNRAD Z50, Modul 1,5		1
513	PBD2555V-4-513	ZAHNRAD Z45, Modul 1,5		1
514	PBD2555V-4-514	ZAHNRAD Z30, Modul 1,5		1
515	PBD2555V-4-515	ZAHNRAD Z25, Modul 1,5		1
516	PBD2555V-4-516	ZAHNRAD Z20, Modul 1,5		1
517	PBD2555V-4-517	T-NUTENSTEIN	M5	2
518	PBD2555V-4-518	DISTANZSTÜCK	1,5mm	1
519	PBD2555V-4-519	DISTANZSTÜCK	3mm	1
520	PBD2555V-4-520	BUCHSE		2
521	PBD2555V-4-521	ACHSENWELLE		2
522	PBD2555V-4-522	C-UNTERLEGSCHIEBE		2
523	PBD2555V-4-523	BUCHSE, SPREIZER		1
524	PBD2555V-4-524	C-UNTERLEGSCHIEBE		1
525	PBD2555V-50	INNENSECHSKANTSCHRAUBE DIN912	M6 x 10	1

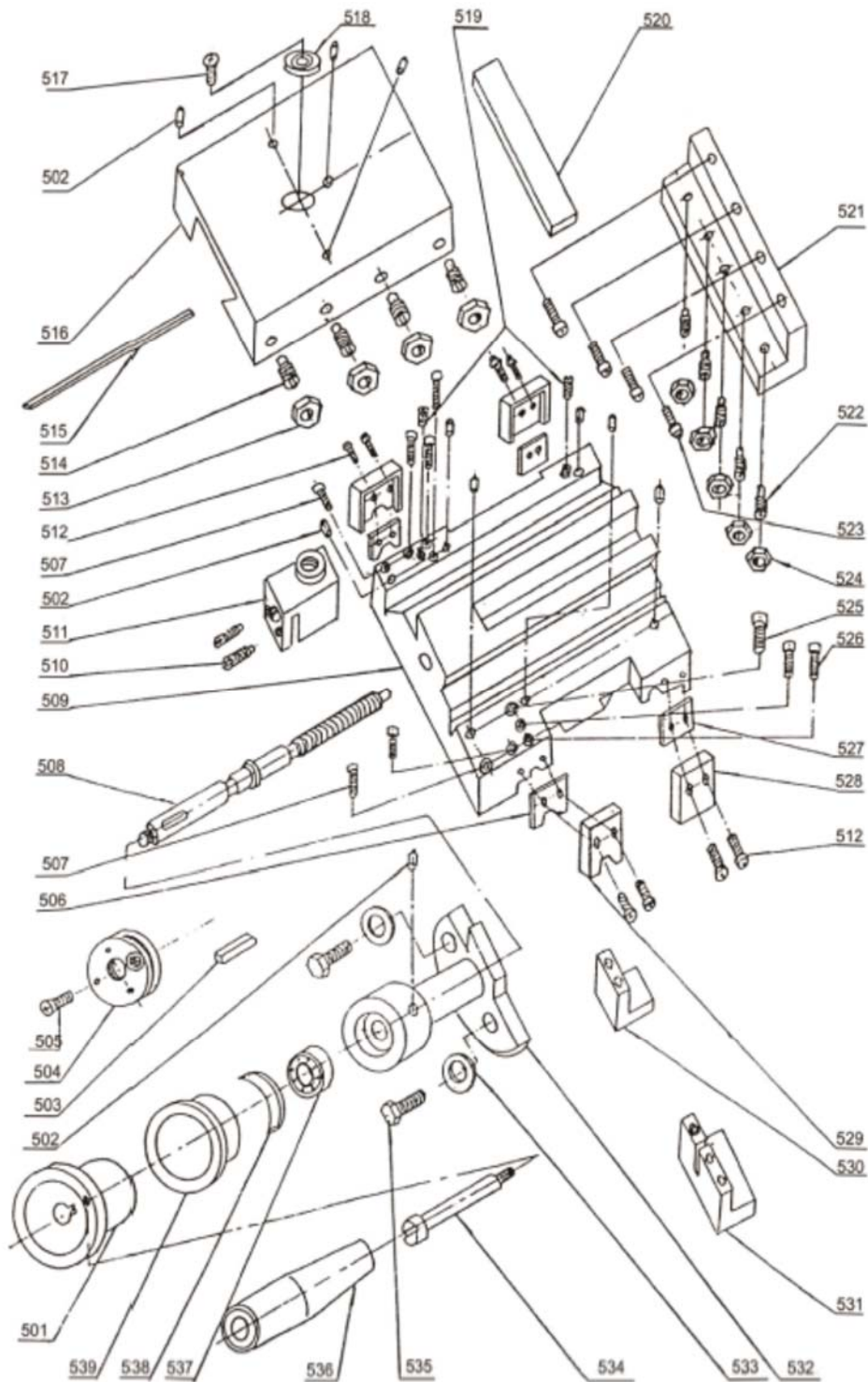
PBD-2555V Explosionszeichnung - 5



PBD-2.555V Teileliste Explosionszeichnung - 5

Index Nr.	Teil Nr.	Beschreibung	Größe	Anz.
601	PBD2555V-5-601	EXZENTER		1
602	PBD2555V-51	KEGELSTIFT	3x20	1
603	PBD2555V-5-603	BUCHSE		1
604	PBD2555V-5-604	GEHÄUSE		1
605	PBD2555V-52	INNENSECHSKANTSCHRAUBE	M5 x 30	3
606	PBD2555V-53	MUTTER M5	DIN 439	3
607	PBD2555V-5-607	WELLE		1
608	PBD2555V-5-608	GRIFF		1
609	PBD2555V-54	STAHLKUGEL 5		1
610	PBD2555V-55	DRUCKFEDER	0.8x5x25	1
611	PBD2555V-5-611	AKTIVIERUNGSNABE		1
612	PBD2555V-56	INNENSECHSKANTSCHRAUBE	M6 x 10	1
613	PBD2555V-57	INNENSECHSKANTSCHRAUBE	M4 x 8	3
614	PBD2555V-58	INNENSECHSKANTSCHRAUBE	M4 x 8	3
615	PBD2555V-5-615	FLANSCHBOCK		1
616	PBD2555V-59	KEGELSTIFT	3x30	1
617	PBD2555V-5-617	GRIFFSTANGE		1
618	PBD2555V-5-618	GRIFF		1
619	PBD2555V-5-619	HANDRAD		1
620	PBD2555V-60	INNENSECHSKANTSCHRAUBE	M4 x 8	3
621	PBD2555V-5-621	FLANSCHBOCK		1
622	PBD2555V-5-622	RITZELWELLE		1
623	PBD2555V-5-623	BUCHSE		1
624	PBD2555V-5-624	ZAHNRAD		1
625	PBD2555V-5-625	BUCHSE		1
626	PBD2555V-61	FLACHKEIL	5 x 10 mm	1
627	PBD2555V-5-627	RITZELWELLE		1
628	PBD2555V-62	SCHRAUBE	M4 x 8	2
629	PBD2555V-63	MUTTER	M5	1
630	PBD2555V-64	INNENSECHSKANTSCHRAUBE	M5 x 25	1
631	PBD2555V-5-631	LEITSPINDELMUTTER (SATZ)		1
632	PBD2555V-5-632	FÜHRUNGSLEISTE		1
633	PBD2555V-65	RITZELSTIFT	5x20	2
634	PBD2555V-5-634	SKALENRING		1

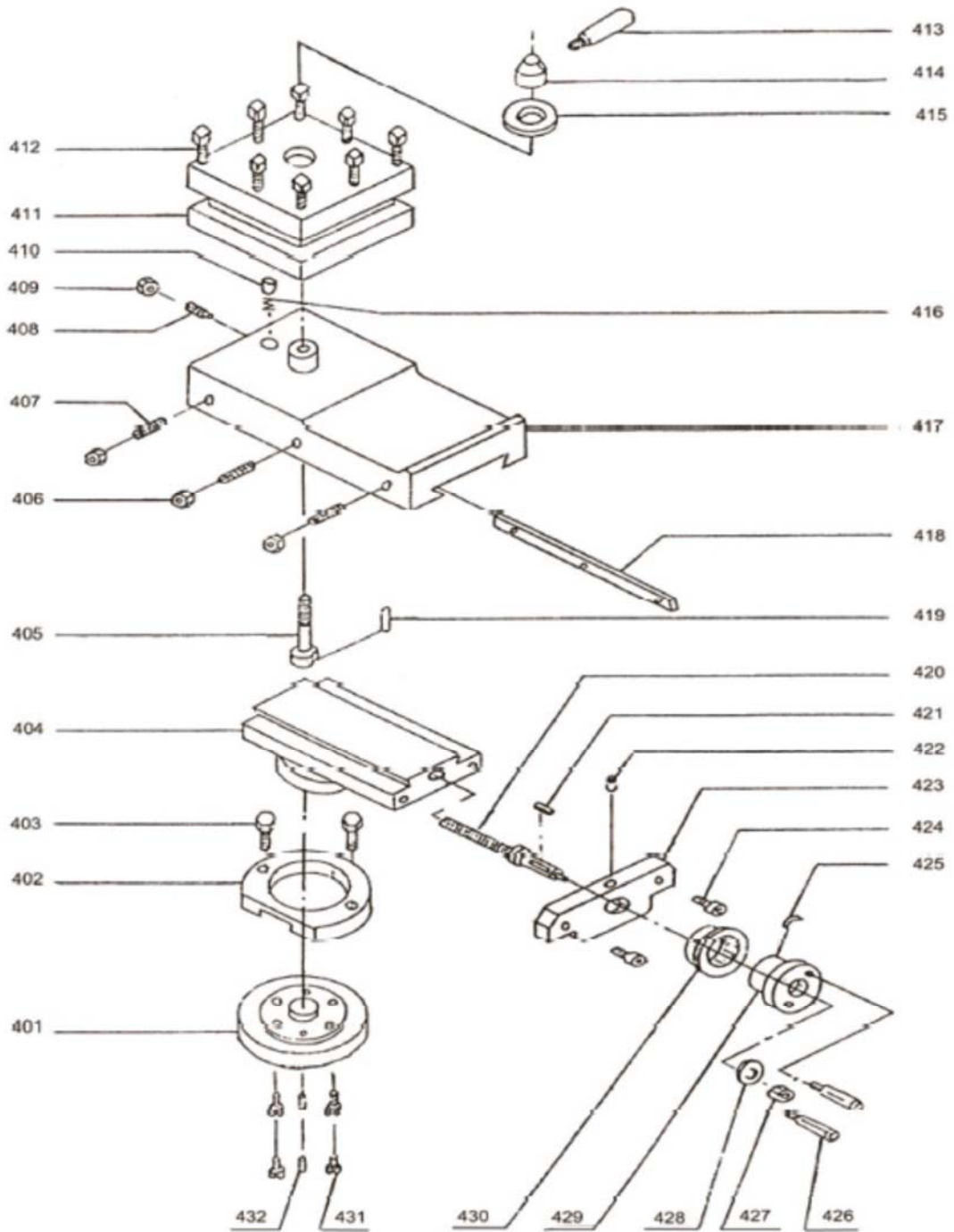
PBD-2555V Explosionszeichnung - 6



PBD-2.555V Teileliste Explosionszeichnung - 6

Index Nr.	Teil Nr.	Beschreibung	Größe	Anz.
501	PBD2555V-6-501	HANDRAD		1
502	PBD2555V-66	KUGELÖLER	.6	10
503	PBD2555V-67	FLACHKEIL	4 x 12 mm	1
504	PBD2555V-6-504	RUNDMUTTER		1
505	PBD2555V-68	SCHRAUBE	M3 x 6	1
506	PBD2555V-6-506	ABSTREIFER		2
507	PBD2555V-69	INNENSECHSKANTSCHRAUBE	M6 x 35	4
508	PBD2555V-6-508	QUERSCHLITTENSPINDEL		1
509	PBD2555V-6-509	DREHMASCHINENSCHLITTEN		1
510	PBD2555V-70	INNENSECHSKANTSCHRAUBE	M3 x 12	2
511	PBD2555V-6-511	SPINDELMUTTER QUERSCHLITTEN		1
512	PBD2555V-71	SCHRAUBE		8
513	PBD2555V-72	MUTTER	M5	4
514	PBD2555V-73	INNENSECHSKANTSCHRAUBE	M5 x 25	4
515	PBD2555V-6-515	FÜHRUNGSLEISTE		1
516	PBD2555V-6-516	QUERSCHLITTEN		1
517	PBD2555V-74	INNENSECHSKANTSCHRAUBE	M5 x 10	1
518	PBD2555V-6-518	UNTERLEGSCHLEIBE		1
519	PBD2555V-75	INNENSECHSKANTSCHRAUBE	M8 x 10	2
520	PBD2555V-6-520	FÜHRUNGSLEISTE		1
521	PBD2555V-6-521	FÜHRUNGSSCHIENE		1
522	PBD2555V-76	INNENSECHSKANTSCHRAUBE	M4 x 16	5
523	PBD2555V-77	INNENSECHSKANTSCHRAUBE	M5 x 16	4
524	PBD2555V-78	MUTTER	M4	5
525	PBD2555V-79	SCHRAUBE	M8 x 20	1
526	PBD2555V-80	SCHRAUBE	M5x20	4
527	PBD2555V-6-527	ABSTREIFER		2
528	PBD2555V-6-528	METALLVERSTÄRKUNG		2
529	PBD2555V-6-529	METALLVERSTÄRKUNG		2
530	PBD2555V-6-530	VORDERER SICHERHEITSBLOCK		1
531	PBD2555V-6-531	SICHERHEITSBLOCK		1
532	PBD2555V-6-532	FÜHRUNGSLAGER		1
533	PBD2555V-81	UNTERLEGSCHLEIBE	.8	2
534	PBD2555V-6-534	HANDSCHRAUBE		1
535	PBD2555V-82	SCHRAUBE	M6 x 20	2
536	PBD2555V-6-536	GRIFF		1
537	PBD2555V-6-537	ROLLENLAGER	51101	1
538	PBD2555V-83	SINUSFEDER		1
539	PBD2555V-6-539	SKALENRING		1

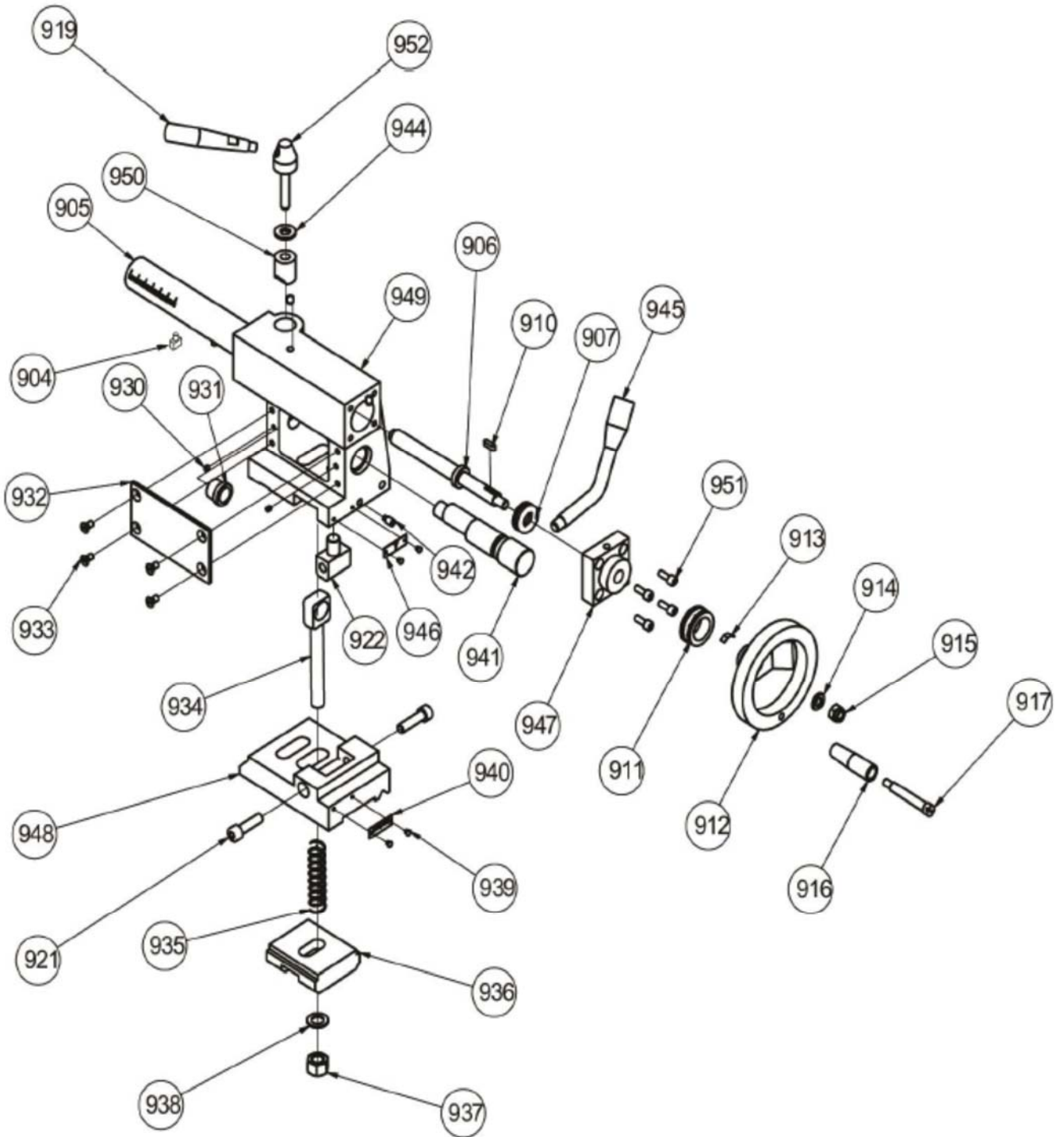
PBD-2555V Explosionszeichnung - 7



PBD-2555V Teileliste Explosionszeichnung - 7

Index Nr.	Teil Nr.	Beschreibung	Größe	Anz.
401	PBD2555V-7-401	WÄHLSCHEIBE MIT SKALA		1
402	PBD2555V-7-402	ZWISCHENFLANSCH		1
403	PBD2555V-84	INNENSECHSKANTSCHRAUBE	M8 x 20	2
404	PBD2555V-7-404	SCHLITTENFÜHRUNGSBAHN		1
405	PBD2555V-7-405	SPANNSCHRAUBE		1
406	PBD2555V-85	MUTTER M4		3
407	PBD2555V-86	INNENSECHSKANTSCHRAUBE	M4 x 40	3
408	PBD2555V-87	INNENSECHSKANTSCHRAUBE	M4 x 12	1
409	PBD2555V-88	MUTTER	M4	1
410	PBD2555V-7-410	POSITIONIERSTIFT		1
411	PBD2555V-7-411	DREHMASCHINEN-WERKZEUGHALTER		1
412	PBD2555V-89	VIERTKANTKOPFSCHRAUBE	M8 x 25	8
413	PBD2555V-7-413	GRIFF		1
414	PBD2555V-7-414	KLEMMSTÜCK		1
415	PBD2555V-7-415	UNTERLEGSCHLEIBE		1
416	PBD2555V-7-416	DRUCKFEDER	0,8 x 4 x 15	1
417	PBD2555V-7-417	OBERSCHIEBER		1
418	PBD2555V-7-418	FÜHRUNGSLEISTE		1
419	PBD2555V-90	ZYLINDERSTIFT	3x10	1
420	PBD2555V-7-420	SPINDEL OBERSCHIEBER		1
421	PBD2555V-91	FLACHKEIL	3 x 12 mm	1
422	PBD2555V-92	KUGELÖLER	6	1
423	PBD2555V-7-423	LAGERBOCK		1
424	PBD2555V-93	INNENSECHSKANTSCHRAUBE	M4 x 16	2
425	PBD2555V-94	SINUSFEDER		1
426	PBD2555V-7-426	GRIFF		2
427	PBD2555V-95	MUTTER	M8	1
428	PBD2555V-96	UNTERLEGSCHLEIBE	8	1
429	PBD2555V-7-429	HANDRAD		1
430	PBD2555V-7-430	SKALENRING		1
431	PBD2555V-97	INNENSECHSKANTSCHRAUBE	M6 x 16	4
432	PBD2555V-98	ZYLINDERSTIFT	4x16	2

PBD-2555V Explosionszeichnung - 8

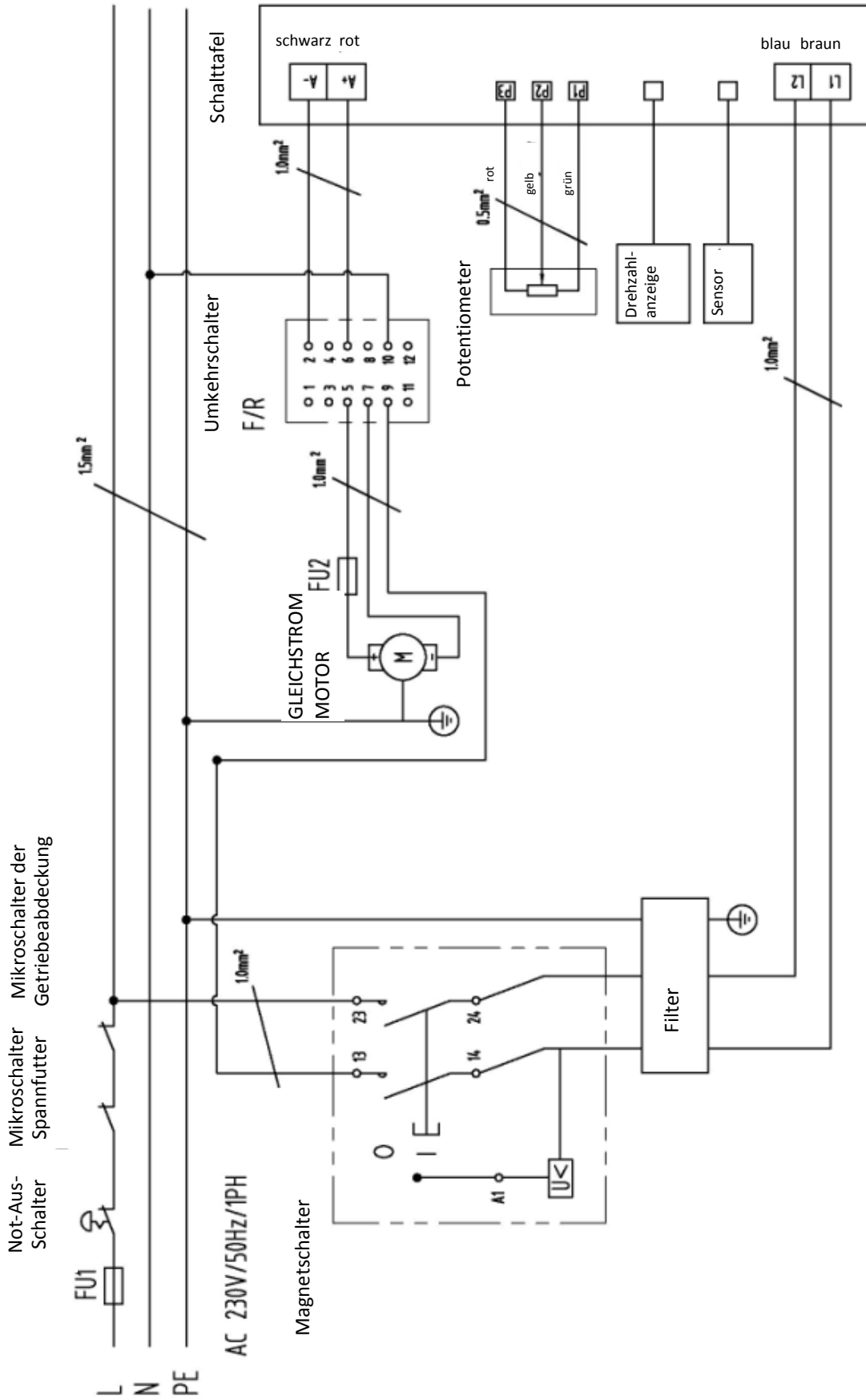


PBD-2555V Teileliste Explosionszeichnung - 8

Index Nr.	Teil Nr.	Beschreibung	Größe	Anz.
904	PBD2555V-8-904	SPINDELHÜLSENZENTRIERSTÜCK		1
905	PBD2555V-8-905	SPINDELHÜLSE		1
906	PBD2555V-8-906	SPINDEL		1
907	PBD2555V-8-907	AXIALNUTKUGELLAGER	51101	1
910	PBD2555V-99	FLACHKEIL	4 x 14 mm	1
911	PBD2555V-8-911	SKALENRING		1
912	PBD2555V-8-912	HANDRAD		1
913	PBD2555V-100	FEDERSCHEIBE		1
914	PBD2555V-101	UNTERLEGSCHLEIBE	ISO 7090 - 8	1
915	PBD2555V-102	SECHSKANTMUTTER	DIN 6924-M8	1
916	PBD2555V-8-916	GRIFFGEHÄUSE		1
917	PBD2555V-8-917	BEFESTIGUNGSSCHRAUBE FÜR GEHÄUSE		1
919	PBD2555V-8-919	KLEMMHEBEL		1
921	PBD2555V-103	INNENSECHSKANTSCHRAUBE	GB 70-85 - M8 x 30	2
922	PBD2555V-8-922	SPINDELHÜLSENZENTRIERSTÜCK		1
930	PBD2555V-104	GEWINDESTIFT	ISO 4028 - M4 x 5	1
931	PBD2555V-8-931	FÜHRUNGSBUCHSE		1
932	PBD2555V-8-932	ABDECKUNG		1
933	PBD2555V-105	SENKKOPFSCHRAUBE	ISO 2009 - M5 x 10	4
934	PBD2555V-8-934	FESTSPANNSCHRAUBE		1
935	PBD2555V-8-935	FEDER	1,2 x 13,2 x 40 mm	1
936	PBD2555V-8-936	KLEMMPLATTE		1
937	PBD2555V-106	SECHSKANTMUTTER	ISO 4035 -M12	1
938	PBD2555V-107	UNTERLEGSCHLEIBE		1
939	PBD2555V-108	NIET		4
940	PBD2555V-8-940	SKALE		1
941	PBD2555V-8-941	EXZENTERNOCKEN		1
942	PBD2555V-109	GEWINDESTIFT	ISO 4028 -M6 x 12	1
944	PBD2555V-8-944	UNTERLEGSCHLEIBE		1
945	PBD2555V-8-945	KLEMMHEBEL		1
946	PBD2555V-8-946	SKALE		1
947	PBD2555V-8-947	SCHLITTEN		1
948	PBD2555V-8-948	REITSTOCK-SOCKELPLATTE		1
949	PBD2555V-8-949	REITSTOCKOBERTEIL		1
950	PBD2555V-8-950	KLEMMTEIL-BUCHSE		1
951	PBD2555V-110	INNENSECHSKANTSCHRAUBE	GB 70-85 -M5 x 14	4
952	PBD2555V-8-952	KOPF-KLEMMHEBEL		1

16.0 Schaltplan

PBD-2555V1~230 V, PE, 50 Hz



PBD-2555V Elektrik-Teileliste

Beschreibung	Modell	Menge	Hinweis
Magnetschalter	KJD17GF	1	
Umkehrschalter V/R	ZH-A	1	
EMC-Filter		1	
Not-Aus	ZB2-BE102C	1	
Schalttafel		1	
Potentiometer	WX14-12 4K7	1	
Drehzahlanzeige und Sensor	JD011 5V	1	
Gleichstrommotor		1	
FU1 , FU2		1	
Schalter Radabdeckung	QKS8	1	
Schalter Spannfutterschutzabdeckung	LXW5-11Q1	1	

1.0 Concernant ce manuel

Ce manuel est fourni par PROMAC et traite les procédures de fonctionnement et d'entretien sûres du **tour à métaux PROMAC, modèle PBD-2555V**. Ce manuel contient des instructions sur l'installation, les précautions de sécurité, les procédures générales de fonctionnement, les instructions d'entretien et la défaillance des pièces. La machine a été conçue et construite pour un fonctionnement régulier et sur le long terme si elle est utilisée conformément aux instructions établies dans ce document.

Gardez ce manuel à titre de référence. Si la machine change de propriétaire, le manuel doit également lui être remis.

2.0 Table des matières

Chapitre	Page
1.0 Concernant ce manuel.....	73
2.0 Table des matières.....	73
3.0 Instructions de sécurité importantes	74~76
3.1 Utilisation prévue et limites d'utilisation	76
3.2 Autres dangers	76
4.0 Spécifications.....	77~78
5.0 Description de la machine	79
6.0 Réglage et montage.....	80
6.1 Déballage et nettoyage	80
6.2 Contenu d'expédition.....	80
6.3 Montage.....	80
6.4 Lubrification initiale	80
6.5 Installation.....	80
7.0 Connexions électriques	80~81
7.1 Instructions de mise à la terre.....	80
7.2 Rallonges électriques	81
8.0 Réglages.....	81~83
8.1 Sélection de la plage de vitesses de la broche	81
8.2 Réglage de l'engrenage à changement de vitesse	81
8.3 Tournage conique avec contre-poupée	82
8.4 Tournage conique avec la glissière supérieure	82
8.5 Mandrin à trois mors universels.....	82
8.6 Mandrin à quatre mors indépendants	83
8.7 Contre-pointe tournante.....	83
8.8 Lunette fixe et lunette mobile.....	83
9.0 Commandes de fonctionnement.....	84
10.0 Fonctionnement de la machine	84~86
10.1 Exécution de la coupe	84
10.2 Mandrinage	84
10.3 Réglage de l'outil de coupe	85
10.4 Vitesses de broche recommandées	85
10.5 Tournage manuel	85
10.6 Tournage avec avance auto	85
10.7 Filetage.....	85
10.8 Opération de perçage	86
11.0 Entretien par l'utilisateur.....	86
11.1 Lubrification.....	86
12.0 Dépannage.....	87
13.0 Protection environnementale	87
14.0 Accessoires disponibles	87
15.0 Pièces de rechange.....	88~103
16.0 Schémas de câblage.....	104~105

3.0 INSTRUCTIONS DE SECURITE IMPORTANTES

LISEZ TOUTES LES INSTRUCTIONS AVANT D'UTILISER CE TOUR.



– Pour réduire les risques de blessures :

1. Lisez attentivement et comprenez l'intégralité du manuel du propriétaire avant de procéder au montage ou au fonctionnement de cette machine.
2. Lisez et comprenez les avertissements placés sur la machine et dans ce manuel.
3. Remplacez les étiquettes d'avertissement si elles sont illisibles ou retirées.
4. Cette machine est conçue et prévue pour n'être utilisée que par un personnel expérimenté et correctement formé. Si vous n'êtes pas familiarisé avec le fonctionnement correct et sûr d'un tour à métaux, ne l'utilisez pas tant que vous ne disposez pas de la formation correspondante et des connaissances nécessaires.
5. N'utilisez pas cette machine à une fin autre que son utilisation prévue. Si elle est utilisée à d'autres fins, PROMAC renonce à toute garantie réelle ou implicite et se dégage de toute responsabilité en cas de blessure résultant d'une utilisation inadéquate de la scie à ruban.
6. Portez toujours des lunettes de sécurité ou des écrans faciaux agréés lors de l'utilisation de cette machine. (Les lunettes ordinaires sont dotées de verres résistants aux impacts seulement ; ce ne sont pas des lunettes de sécurité.)
7. Avant le fonctionnement de cette machine, retirez les cravates, les bagues, les montres et autres bijoux et retrousser les manches jusqu'au-dessus des coudes. Enlevez tout vêtement ample et attachez les cheveux longs. Il est recommandé de porter des chaussures antidérapantes ou de poser des lamelles de plancher antidérapantes. Ne portez pas de gants.
8. Portez des protecteurs auditifs (bouchons ou casques antibruit) lors de l'utilisation prolongée.
9. La poussière générée par le sciage peut contenir des produits chimiques reconnus causer le cancer, des malformations congénitales ou des lésions de l'appareil reproducteur. Certains exemples de ces produits chimiques sont :
 - Le plomb provenant de la peinture à base de plomb.
 - La silice cristalline provenant des briques, du ciment et d'autres produits de maçonnerie.
 - L'arsenic et le chrome provenant du bois traité chimiquement.Votre risque d'exposition varie selon la fréquence à laquelle vous réalisez ce type de travail. Pour réduire votre exposition à ces produits chimiques, travaillez dans un endroit bien ventilé et utilisez l'équipement de sécurité agréé tel que le masque facial ou le masque anti-poussière qui sont spécifiquement conçus pour filtrer les particules microscopiques.
10. Ne vous servez pas de cette machine lorsque vous êtes fatigué ou sous l'effet de la drogue, de l'alcool ou de tout médicament.
11. Assurez-vous que l'interrupteur est en position **OFF** avant de connecter la machine à l'alimentation. Désactivez toutes les commandes avant de débrancher.
12. Assurez-vous que la machine est mise à la terre correctement. Branchez uniquement à sortie mise à la terre correctement. Voir les instructions de mise à la terre.
13. Réalisez tous les réglages de la machine ou la maintenance avec la machine débranchée de la source d'alimentation.
14. Enlevez les clés et outils de réglage. Prenez l'habitude de vérifier que les clés et outils de réglage ont été enlevés de la machine avant de la mettre en marche.
15. Maintenez toujours en place les protections de sécurité lorsque la machine est utilisée. Si elles sont retirées pour la maintenance, soyez très prudent et remplacez immédiatement les protections une fois la maintenance terminée.
16. Vérifiez les pièces endommagées. Avant toute nouvelle utilisation de la machine, une protection ou une autre pièce qui est endommagée doit être vérifiée avec précaution pour s'assurer qu'elle fonctionnera correctement et remplira la fonction prévue. Vérifiez l'alignement des pièces mobiles, l'attache des pièces mobiles, la rupture des pièces, la fixation et toute autre condition qui peuvent affecter son fonctionnement. Une protection ou une autre pièce qui est endommagée doit être réparée ou remplacée correctement.
17. Prévoyez une zone de travail environnante avec un espace approprié et un éclairage vertical non éblouissant.
18. Maintenez le sol autour de la machine propre et exempt de rebut, d'huile et de graisse.
19. Gardez les visiteurs à une distance sécuritaire de la zone de travail. **Gardez les enfants éloignés.**
20. Veillez à ce que votre atelier soit sûr pour les enfants grâce à des cadenas, des interrupteurs principaux ou en retirant les clés de contact.
21. Concentrez-vous sur votre travail. Regarder autour de soi, tenir une conversation et le "chahut" sont des actes imprudents qui peuvent entraîner de graves blessures.
22. Gardez une position confortable. Adoptez toujours une posture équilibrée de manière à ne pas tomber ou à vous appuyer contre le mandrin ou les autres pièces mobiles. Ne vous penchez pas trop loin ou n'utilisez pas de force excessive pour procéder au fonctionnement de la machine.
23. Utilisez le bon outil à la vitesse et vitesse d'avance correctes. Ne forcez pas un outil ou un accessoire à effectuer une tâche pour laquelle il n'a pas été conçu. Le bon outil effectuera la tâche de manière plus efficace et plus sûre.
24. La machine est prévue pour une utilisation interne. Afin de réduire les risques de choc électrique, n'utilisez pas la machine sur des surfaces humides ou à l'extérieur.
25. Ne manipulez pas la prise ou la machine avec des mains humides.
26. Utilisez les accessoires recommandés ; les accessoires incorrects peuvent être dangereux.
27. Entretenez bien les outils. Gardez les outils affûtés et nettoyés afin d'obtenir un rendement optimal et sécuritaire. Suivez les instructions de lubrification et de changement des accessoires.
28. Désactivez la machine et débranchez avant de nettoyer. Utilisez une brosse ou de l'air comprimé pour enlever les copeaux ou les débris ; ne réalisez pas cette opération à mains nues.
29. Ne vous tenez pas sur la machine. Vous risquez de graves blessures si la machine se renverse.
30. Ne laissez jamais la machine fonctionner sans surveillance. Coupez l'alimentation et ne quittez pas la machine tant qu'elle ne s'est pas arrêtée complètement.
31. Retirez les éléments lâches et les pièces inutiles de la zone avant de démarrer la machine.
32. Retirez la fiche de la prise d'alimentation si la machine n'est pas utilisée.
33. Assurez-vous que la pièce est fermement serrée.

Familiarisez-vous avec les consignes de sécurité suivantes utilisées dans ce manuel :



AVERTISSEMENT : Cela signifie qu'il y a risque de blessures graves voire mortelles si les précautions ne sont pas respectées.



PRECAUTION : Cela signifie qu'il y a risque de blessures mineures et/ou de dommages éventuels de la machine si les précautions ne sont pas respectées.

GARDEZ A L'ESPRIT CES INSTRUCTIONS



AVERTISSEMENT :

Ces symboles indiquent que vous suivez les procédures de sécurité correctes lors de l'utilisation de cette machine.



Lisez attentivement et comprenez tout le manuel d'utilisation avant d'assembler ou d'utiliser la machine.



Portez toujours un équipement de travail conforme.
Portez des lunettes de protection.
Portez des protections auditives.



Portez toujours un équipement de travail conforme.
Portez des chaussures de sécurité.
Retirez les cravates, les bagues, les montres et autres bijoux. Retrousser les manches jusqu'au-dessus des coudes.
Enlevez tout vêtement ample et attachez les cheveux longs.



Réalisez tous les réglages de la machine ou la maintenance avec la machine débranchée de la source d'alimentation.



Toute pièce dépassant de l'extrémité arrière de la poutree fixe doit être recouverte sur toute sa longueur. Haut risque de blessure



Ne faites pas fonctionner cette machine sous l'emprise de drogues, d'alcool ou de médicament.



Ne portez pas de gants alors que vous utilisez cette machine.



Les travaux de réparation et de connexion sur l'installation électrique doivent être uniquement effectués par un électricien qualifié.



Ne touchez jamais la machine pendant son fonctionnement ou son arrêt.

3.1 Utilisation prévue et limites d'utilisation

La machine est seulement conçue pour le tournage et le perçage de matériaux en plastique et en métal.

La pièce doit pouvoir être chargée, maintenue et serrée en toute sécurité.

La machine est prévue pour une utilisation interne. La puissance nominale de protection de l'installation électrique est IP 54.

Pour éviter tout basculement, la machine doit être boulonnée avec quatre boulons d'ancrage.

Si elle est utilisée à d'autres fins, PROMAC renonce à toute garantie réelle ou implicite et se dégage de toute responsabilité en cas de blessure résultant d'une utilisation inadéquate de la scie à ruban.



AVERTISSEMENT :

La machine n'est pas adaptée pour l'usinage de magnésium...Risque d'incendie !

Ne placez jamais vos doigts là où ils pourraient entrer en contact avec les pièces rotatives ou des copeaux.

Vérifiez que la pièce est bien fixée avant de démarrer la machine.

Ne dépassez pas la plage de serrage du mandrin.

Les pièces d'une longueur 3 fois supérieure au diamètre du mandrin doivent être maintenues par la contre-poupée ou une lunette fixe.

Évitez les petits diamètres de mandrin avec de larges diamètres de tournage. Évitez les longueurs de serrage courtes et un faible contact de serrage.

Ne dépassez pas la vitesse maximale du dispositif de maintien de la pièce.

Utilisez le bon outil à la vitesse et vitesse d'avance correctes. Ne forcez pas un outil ou un accessoire à effectuer une tâche pour laquelle il n'a pas été conçu. Le bon outil effectuera la tâche de manière plus efficace et plus sûre.

Utilisez les accessoires recommandés ; les accessoires incorrects peuvent être dangereux.

Entretenez bien les outils. Gardez les outils de coupe affûtés et nettoyez afin d'obtenir un rendement optimal et sécuritaire.

Suivez les instructions de lubrification et de changement des accessoires.

N'essayez pas de régler ou de retirer les outils pendant le fonctionnement.

N'arrêtez pas un mandrin en rotation ou une pièce à la main.

Choisissez une vitesse de broche faible lors du travail de pièces non équilibrées et pour les opérations de filetage et de taraudage.

Toute pièce dépassant de l'extrémité arrière de la poupée fixe doit être recouverte sur toute sa longueur. Haut risque de blessure !

Les pièces longues doivent être soutenues par une lunette fixe. Une pièce fine ou longue peut se plier soudainement en vitesse de rotation rapide.

Ne déplacez jamais la contre-poupée ou le fourreau de la contre-poupée lorsque la machine fonctionne.

Enlevez les copeaux de coupe avec un crochet à copeaux approprié lorsque la machine est complètement à l'arrêt.

Les mesures et les réglages ne se font que lorsque la machine est à l'arrêt.

L'entretien et la réparation ne peuvent être réalisés qu'après avoir protégé la machine de tout démarrage accidentel en retirant la fiche de la prise d'alimentation.

Retirez les éléments lâches et les pièces inutiles de la zone avant de démarrer la machine.

Tournez la pièce à la main avant de mettre le contact. Utilisez la vitesse la plus basse lors du démarrage de la nouvelle pièce.

Serrez tous les verrous avant le fonctionnement.

3.2 Autres dangers

D'autres dangers subsistent lors de l'utilisation de la machine conformément aux réglementations.

La pièce rotative et le mandrin peuvent provoquer des blessures.

Des pièces chaudes et projetées, tout comme les copeaux de coupe peuvent entraîner des blessures.

Les copeaux et le bruit peuvent altérer la santé. Portez un équipement de protection individuel comme des lunettes de protection et des protections auditives.

L'utilisation d'une source d'alimentation incorrecte ou d'un cordon d'alimentation endommagé peut provoquer des blessures par choc électrique.

La tension d'injection perdue lors de l'ouverture de l'armoire électrique. Par conséquent, faites attention lors de l'ouverture.

4.0 Spécifications

Numéro de modèle PBD-2555V
Numéro de stock PBD-2555V

Moteur et électrique :

Type de moteur Moteur CC à vitesse variable
Puissance du moteur 1,1 kW
Alimentation 1 ~ 230 V, PE, 50 Hz
Classe de protection IP54
Intensité en charge 6 A
Lampe de la machine Lampe halogène 24 V, 35 W
Pompe de refroidissement 40 W

Capacités :

Hauteur au centre 125 mm
Pivotement au-dessus du banc 250 mm
Pivotement au-dessus de la glissière transversale 140 mm
Distance entre les contre-pointes 550 mm

Broche :

Montage du nez de la broche Cône court (1:4 Ø53,975 mm, Ø75 x 3 x Ø9)
Alésage de la broche 26 mm
Cône de la broche MT4
Nombre de vitesses de la broche Variable
Plage de vitesses de la broche 50 ~ 1 250 & 100 ~ 2 500 tr/min

Contre-poupée :

Course du chariot de la contre-poupée 65 mm
Cône de contre-poupée MT2

Glissière de l'outil :

Course de la glissière transversale 110 mm
Course de la glissière supérieure 70 mm
Taille max. outil 12 x 12 mm
Pas de la vis-mère 3 mm
Avances longitudinales (6x) 0,07/0,1/0,14/0,2/0,28/0,40 mm/tr
Filetages métriques (21x) 0,2 ~ 4,0 mm/tr
Filetages en pouces (21x) 8 ~ 56 TPI

Matériaux :

Banc de la machine Fonte, trempée par induction et rectifiée
Poupée fixe, contre-poupée, glissières Fonte
Paliers de broche Paliers à rouleaux coniques, niveau de qualité P5

Emission sonore au ralenti 1 73.4 dB (LpA)
Emission sonore pendant la coupe 1 78,3 dB (LpA)

¹ Emissions sonores mesurées à 1 m de distance, à 1,6 m au-dessus du sol. Les valeurs spécifiées sont des niveaux d'émission et ne doivent pas nécessairement être vues comme des niveaux de fonctionnement de sécurité. Comme les conditions de l'environnement de travail varient, cette information permet à l'utilisateur d'avoir une meilleure estimation des risques et des dangers que cela implique.

Dimensions et poids :

Dimensions hors tout, monté (L x P x H) 1 250 x 590 x 480 (1 300) mm
Dimensions de l'expédition (l x P x H) 1 200 x 560 x 610 & 820 x 580 x 430 mm
Poids net (approximatif) 178kg
Poids d'expédition (approximatif) 200 kg

L = longueur ; l = largeur ; H = hauteur ; P = profondeur

Les spécifications de ce manuel entrent en vigueur au moment de la publication, mais en raison de notre politique d'amélioration continue, JET se réserve le droit de modifier les spécifications à tout moment et sans préavis, sans aucune obligation de sa part.

4.1 Montage du nez de la broche :

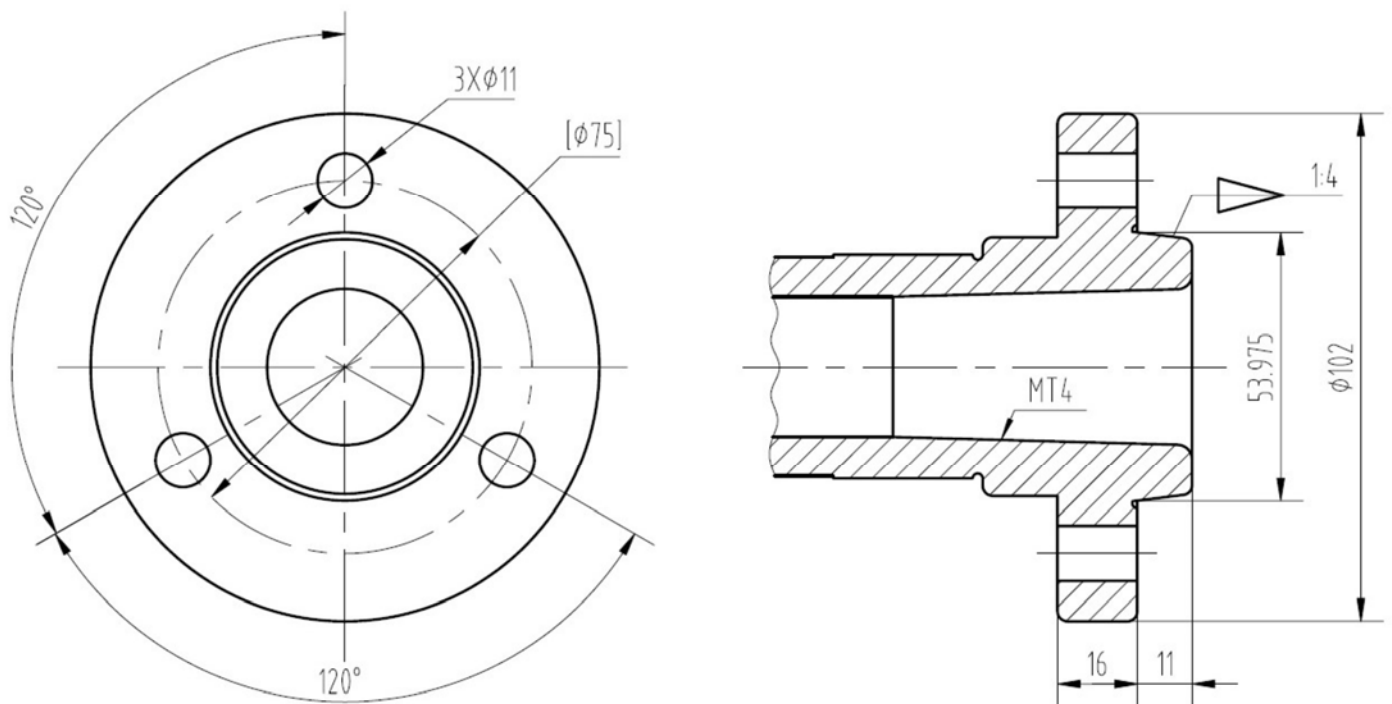


Figure 4-1 : Montage du nez de la broche

4.2 Configuration du trou du boulon d'ancrage :

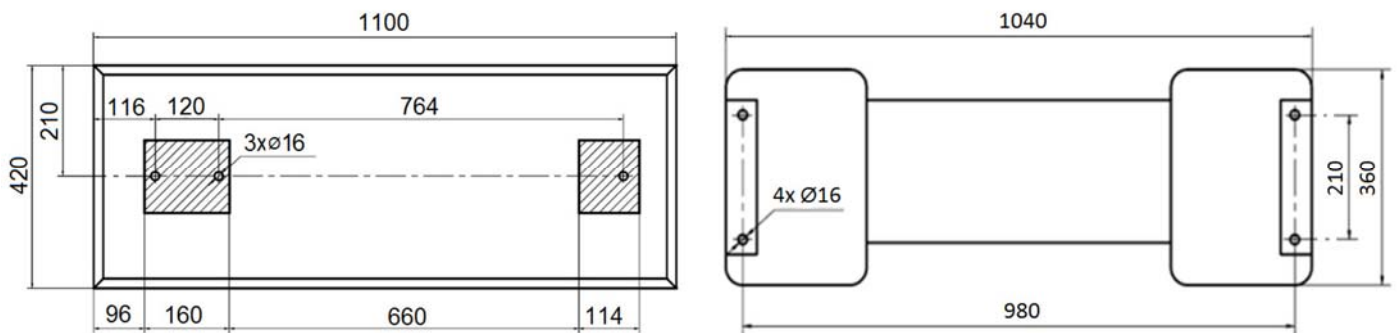


Figure 4-2 : Configuration du boulon d'ancrage pour le banc du tour (gauche) & le support de la machine (droite)



AVERTISSEMENT :

Pour éviter tout basculement, la machine doit être boulonnée avec quatre boulons d'ancrage (non fournis).

5.0 Description de la machine

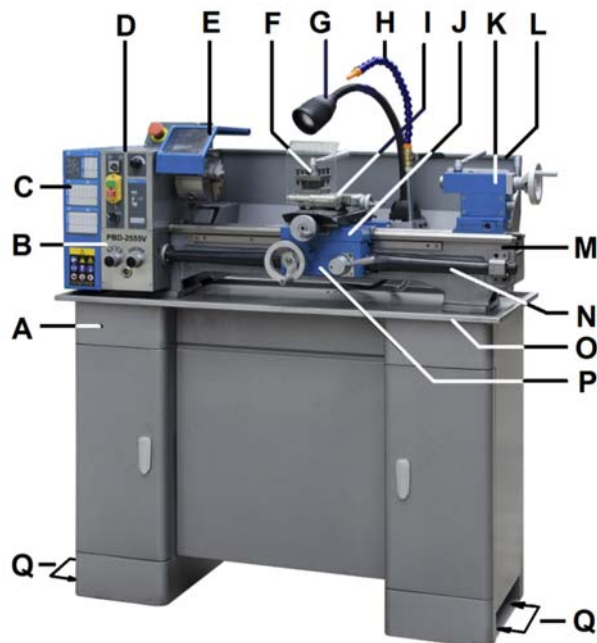


Figure 5-1 : Description de la machine

- A Support de l'armoire de la machine
- B Boîte de vitesses
- C Couvercle de poulie
- D Poupée fixe
- E Mandrin et sa protection
- F Porte-outil et sa protection
- G Lampe de la machine
- H Buse de refroidissement
- I Glissière supérieure
- J Chariot
- K Contre-poupée
- L Carter de protection
- M Banc du tour
- N Vis-mère
- O Bac à copeaux
- P Tablier
- Q Points d'ancrage

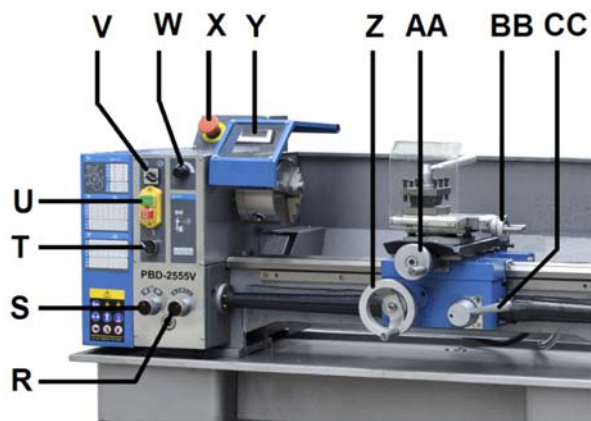


Figure 5-2 : Description de la machine

- RBouton de sélection de la vitesse d'avance
- S Vitesse marche avant/arrêt/marche arrière
- TActivation/Désactivation du réfrigérant
- U .Activation/Désactivation de la puissance de broche
- V Avance/Recul broche
- W Bouton de sélection de la vitesse variable
- X Arrêt d'urgence
- Y Affichage de la vitesse de la broche
- Z Roue à main du tablier
- AA Roue à main de la glissière transversale
- BBRoue à main de la glissière supérieure
- CC Levier de demi-écrou

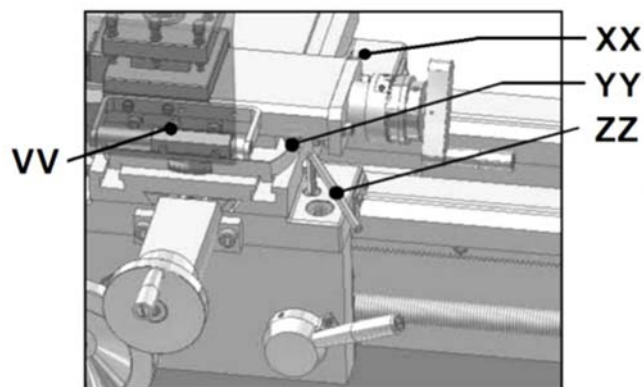


Figure 5-3 Description de la machine

- VVVerrou de la glissière supérieure
- XX Verrou de la glissière transversale
- YY Réglage du cône de la glissière supérieure
- ZZ Verrou du chariot

6.0 Réglage et montage



AVERTISSEMENT :

Lisez et comprenez l'intégralité de ce manuel avant de procéder au montage ou au fonctionnement. Le non-respect de cette obligation peut causer de graves blessures.

6.1 Déballage et nettoyage

Retirez tous les contenus de la caisse d'expédition et comparez les pièces avec la liste de contenus dans ce manuel. En cas d'endommagement dans l'expédition ou de pièces manquantes, contactez votre distributeur. Ne jetez pas la caisse ou le matériel d'emballage tant que la machine n'est pas montée et ne fonctionne pas correctement.

Nettoyez toutes les surfaces protégées contre la rouille avec du kérosène ou un solvant doux. N'utilisez pas de dissolvant, de diluant à peinture ou d'essence car cela pourrait endommager les composants en plastique et les surfaces peintes.

6.2 Contenu d'expédition

- 1 Machine
- 1 Support de l'armoire
- 1 Installation du réfrigérant
- 1 Lampe de la machine
- 1 Mandrin à trois mors universels, 125 mm
- 1 Mandrin à quatre mors indépendants, 125 mm
- 1 Protection du mandrin
- 1 Porte-outil 4 postes
- 1 Protection du porte-outil
- 1 Jeu d'engrenage à changement de vitesse
- 1 Contre-pointe fixe MT4
- 1 Contre-pointe fixe MT2
- 1 Lunette fixe(en option)
- 1 Lunette mobile(en option)
- 1 Outils de service dans la boîte à outils
- 1 Burette
- 1 Instructions de fonctionnement et manuel de pièces
[\(voir en fin de document pour le contenu détaillé\)](#)

6.3 Montage

La machine est livrée complètement assemblée.

Installez la courroie d'entraînement (courroie trapézoïdale).

Vérifiez que toutes les fixations sont serrées.

6.4 Lubrification initiale

Tous les points de lubrification de la machine doivent être lubrifiés avant la mise en service (voir le chapitre 11.1 pour la lubrification).

6.5 Installation

Dévissez le tour de l'extrémité de la caisse d'expédition.

Utilisez une courroie en fibre très résistante pour lever la machine hors de la palette.



Avertissement :

La machine est lourde (200 kg) !

Veillez à ce que la capacité de charge soit suffisante et que vos dispositifs de levage soient en bon état.

Ne vous déplacez jamais sous des charges suspendues.

Pour éviter tout basculement, la machine doit être boulonnée avec quatre boulons d'ancrage (non fournis).

Pour éviter la torsion du banc, assurez-vous que la surface de réglage est absolument plate et plane.

Desserrez les boulons d'ancrage, les rondelles et serrez les boulons si nécessaire.

La machine pour être précise doit être à niveau !

7.0 Connexions électriques



AVERTISSEMENT :

Toutes les connexions électriques doivent être effectués par un électricien qualifié conformément aux ordonnances et codes locaux. Le non-respect de cette obligation peut causer de graves blessures.

Les tours à métaux PBD-2555V ont une tension d'alimentation de 1 ~ 230 V, PE, 50 Hz. Les machines sont livrées avec une prise conçue pour être branchée à une *prise de terre*.

La connexion au secteur électrique et les fiches et rallonges électriques utilisées doivent être conformes aux informations indiquées sur la plaque d'immatriculation de la machine.

La connexion du secteur électrique doit posséder un fusible de protection contre la surtension 16 A.

Utilisez uniquement des rallonges électriques H07RN-F, avec des câbles de 1,5 mm² ou plus.

La longueur totale du cordon ne doit pas dépasser 18 mètres.

Les cordons électriques et les fiches doivent être exempts de défauts.

Les connexions et réparations de l'équipement électrique ne doivent être réalisées que par des techniciens qualifiés.

La machine est équipée d'une fiche et d'un cordon d'alimentation de 1,8 mètre.

Avant de raccorder à la source d'alimentation, veillez à ce que le commutateur principal soit en position off.

7.1 Instructions de mise à la terre

Cet outil doit être mis à la terre. En cas de dysfonctionnement ou de défaillance, la mise à la terre fournit un trajet de résistance minimale pour le courant électrique pour réduire le risque de choc électrique. Cet outil est équipé d'un cordon électrique ayant un câble d'alimentation et une fiche de mise à la terre. Cette fiche doit être insérée sur une embase adéquate correctement installée et reliée à la terre en respectant tous les codes et ordonnances locaux.



AVERTISSEMENT :

Une connexion inappropriée du câble d'alimentation peut causer un risque de chocs électriques. Contrôlez avec un électricien qualifié ou une personne chargée de l'entretien en cas de doutes concernant la mise à la terre correcte de la prise. Ne modifiez pas la fiche fournie avec l'outil.

Le fil vert/jaune est le fil du câble d'alimentation. Si le cordon doit être réparé ou remplacé, ne connectez pas le fil de terre de l'outil sur une borne sous tension.

Utilisez uniquement des rallonges électriques à 3 câbles avec des fiches de mise à la terre.

Réparez ou remplacez immédiatement un cordon usé ou endommagé.

7.2 Rallonges électriques

L'utilisation de rallonges électriques est fortement déconseillée ; essayez de placer les machines près de la source d'alimentation. Si une rallonge électrique s'avère nécessaire, assurez-vous de son bon état.

Une rallonge trop courte cause des chutes de tension, entraînant une perte d'alimentation et une surchauffe.

Utilisez uniquement des rallonges électriques H07RN-F, avec des câbles de 1,5 mm² ou plus.

La longueur totale du cordon ne doit pas dépasser 18 mètres.

Les rallonges électriques et les fiches doivent être exempts de défauts.

8.0 Réglages

8.1 Plage de changement des vitesses de la broche

Les vitesses du tour sont contrôlées par le bouton de sélection de la vitesse variable (W, Fig 5-2) ainsi que la position de la courroie sur les poulies (Fig 8-1).

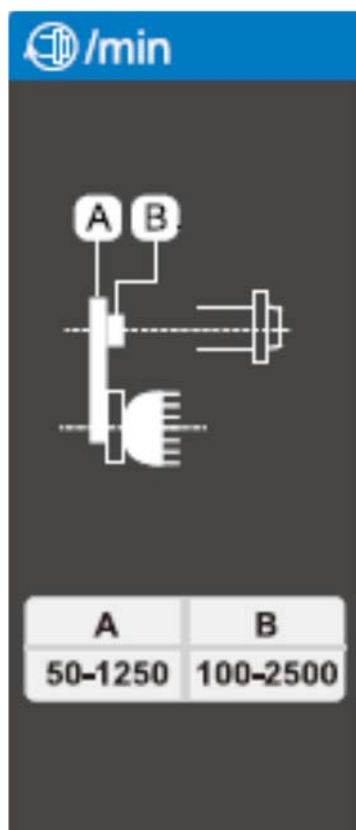


Figure 8-1 : Réglage de la plage de vitesses de la broche

A 50 ~ 1 250 TR/MIN ... pour couple maximal.

B 100 ~ 2 500 TR/MIN . pour vitesse maximale.

Enlevez le couvercle de la poulie (C, Fig 5-1) pour changer la position de la courroie. Réinstallez le couvercle de la poulie.

8.2 Réglage de l'engrenage à changement de vitesse

Enlevez le couvercle de la poulie.

La vitesse de rotation de la vis-mère, et ainsi la vitesse d'avance de l'outil de coupe, est déterminée par la configuration d'engrenage et par le levier de sélection de la vitesse d'avance (R, Fig 5-2).

Assemblez les engrenages au réglage souhaité (Fig 8-2).

	mm / Ø	
Z1	30	25
Z2	60	70
Z3	20	20
Z4	75	75
L	80	80
I	0.10	0.07
II	0.20	0.14
III	0.40	0.28

Z1	-	-	-	-	-	-	-
Z2	50	50	45	45	50	50	60
Z3	75	80	80	80	80	80	80
Z4	20	30	50	50	60	70	60
L	80	75	75	60	60	60	45
I	0.20	0.30	0.50	0.625	0.75	0.875	1.00
II	0.40	0.60	1.00	1.25	1.50	1.75	2.00
III	0.80	1.20	2.00	2.50	3.00	3.50	4.00

	n/1"						
Z1	-	-	-	-	-	-	-
Z2	50	50	45	60	45	50	50
Z3	70	85	75	50	80	85	85
Z4	60	60	50	45	50	60	45
L	65	60	60	85	65	80	70
I	8.0	9.0	9.5	10	11	12	14
II	16	18	19	20	22	24	28
III	32	36	38	40	44	36	56

Figure 8-2 : Réglage de l'engrenage à changement de vitesse

Régalez les engrenages pour qu'il y ait engrenement de l'engrenage supérieur et inférieur.

Le placement d'un papier ordinaire entre les engrenages permet de régler l'espacement correct entre les engrenages (... enlevez ensuite le papier !).

Réinstallez le couvercle de la poulie.

8.3 Tournage conique avec contre-poupée

Montez la pièce ajustée sur le toc d'entraînement entre les contre-pointes. Le toc d'entraînement est entraîné par la plaque frontale.

Lubrifiez les contre-pointes avec de la graisse pour empêcher toute surchauffe des pointes.

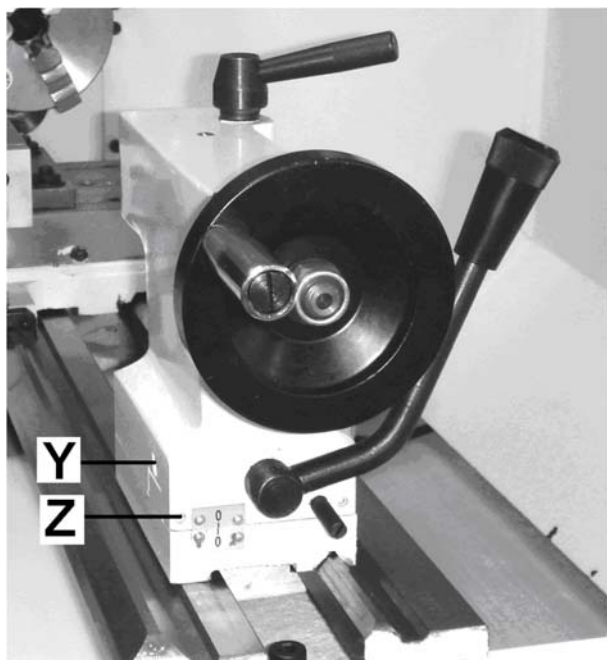


Figure 8-3 : Tournage conique entre les contre-pointes

Pour tourner un cône, décalez la contre-poupée, desserrez les vis de verrouillage (Z, Fig 8-3) et utilisez les vis (Y) pour régler.

Après le tournage conique, la contre-poupée doit être ramenée à sa position initiale. Tournez une pièce de test et réglez jusqu'à ce que la machine tourne un cylindre parfait.

8.4 Tournage conique avec la glissière supérieure

En inclinant la glissière supérieure, les cônes peuvent être tournés.

Desserrez les deux écrous hexagonaux (A, Fig 8-4) et tournez la glissière supérieure selon l'échelle graduée (B).

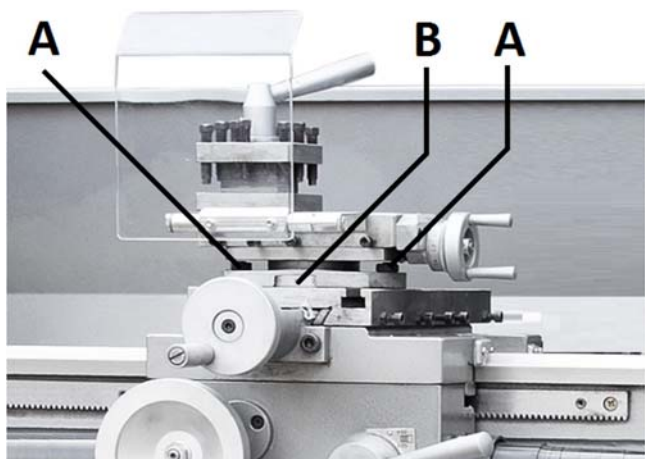


Figure 8-4 : Tournage conique avec la glissière supérieure

8.5 Mandrin à trois mors universels

Avec ce mandrin universel, des matériaux hexagonaux, cylindriques et triangulaires peuvent être serrés (Fig 8-5).

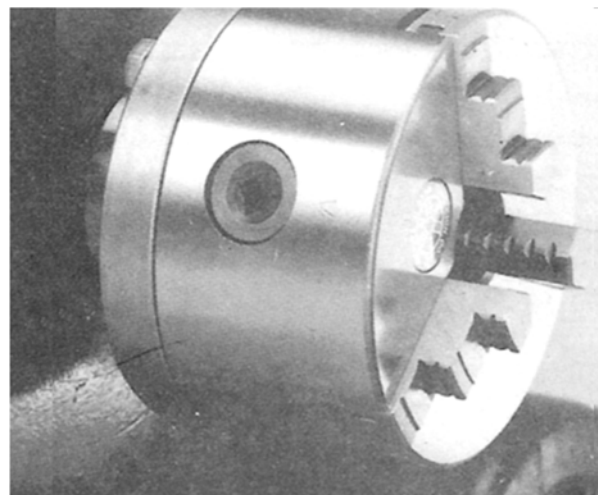


Figure 8-5 : Mandrin à trois mors universels

Un jeu de mors de mandrin extérieurs est fourni pour maintenir une barre de grand diamètre.

Le mors doit être inséré dans le mandrin dans l'ordre exact.

Utilisez de la graisse Molykote G (ou de la graisse appropriée) pour lubrifier les mors.

8.6 Mandrin à quatre mors indépendants (en option)

Ce mandrin a quatre mors de mandrin réglables indépendants (Fig 8-6).

Cela permet le maintien de pièces carrées et asymétriques et permet un réglage concentrique précis des pièces cylindriques.



Figure 8-6 : Mandrin à quatre mors indépendants

8.7 Contre-pointe tournante (en option)

La contre-pointe tournante (Fig 8-7) est montée dans les roulements à billes.

Son utilisation est vivement recommandée pour les vitesses supérieures à 500 tr/min.

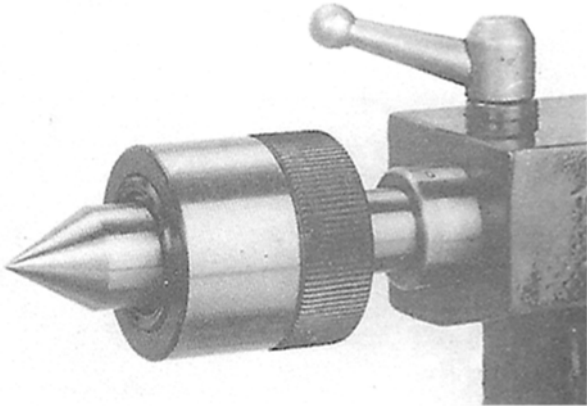


Figure 8-7 : Contre-pointe tournante

Pour éjecter la contre-pointe tournante, rétractez complètement le fourreau de la contre-poupée.

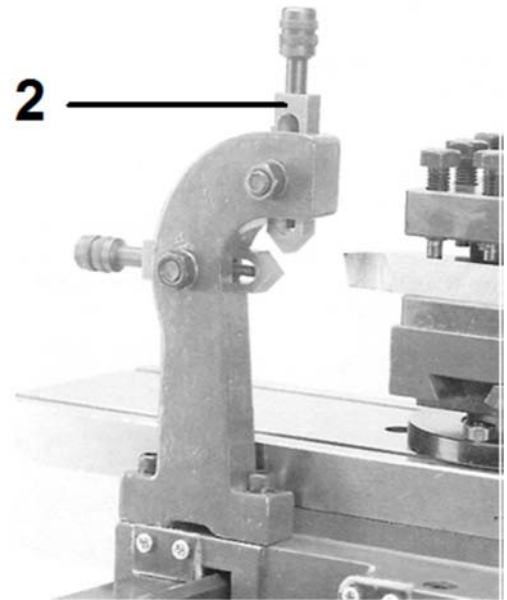


Figure 8-9 : Lunette mobile

Régalez bien les doigts (2) mais ne les serrez pas excessivement. Lubrifiez les doigts pour éviter une usure prématurée.

8.8 Lunette fixe et lunette mobile(en option)

Les lunettes évitent la flexion des pièces longues et fines sous la pression de l'outil.

La lunette fixe (Fig 8-8) sert à soutenir des arbres plus longs et assure un fonctionnement sûr et sans broutage.

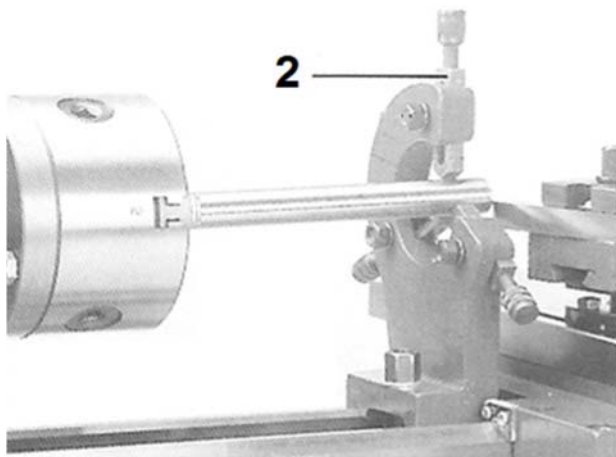


Figure 8-8 : Lunette fixe

La lunette mobile (Fig 8-9) est montée sur le chariot et permet le déplacement de l'outil.

9.0 Commandes de fonctionnement

Voir la figure 9-1 :

R	Bouton de sélection de l'avance
S	Vitesse marche avant/arrêt/marche arrière
T	Activation/Désactivation du réfrigérant
U	Activation/Désactivation de la puissance de broche
V	Avance/Recul broche
W	Bouton de sélection de la vitesse variable
X	Arrêt d'urgence
Y	Affichage de la vitesse de la broche

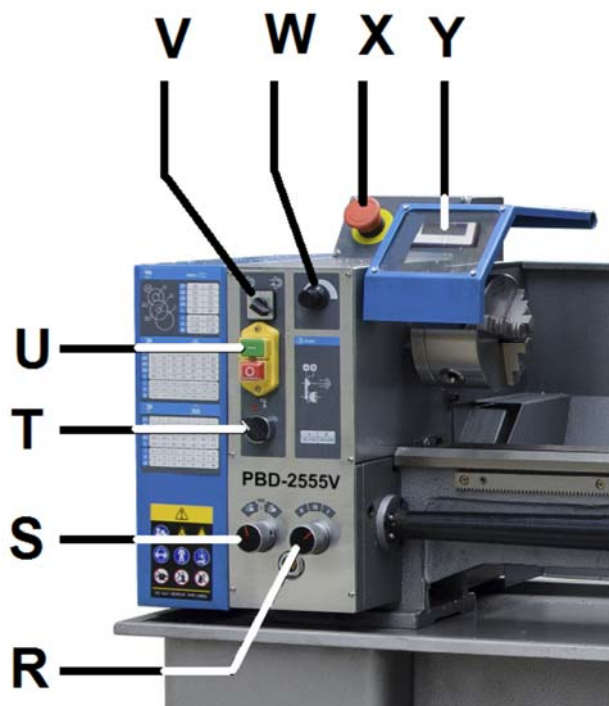


Figure 9-1 : Commandes de fonctionnement

10.0 Fonctionnement de la machine

10.1 Exécution de la coupe

Avant de démarrer la machine, vérifiez le serrage correct.

Fermez la protection du mandrin et le couvercle de la poulie avant de démarrer la machine.

Sélectionnez la direction de déplacement, avant ou arrière (V, Fig 9-1).

Vous pouvez démarrer la machine avec le bouton ON vert (U). Le bouton OFF rouge arrête la machine.

La vitesse peut être réglée avec le bouton de sélection de la vitesse variable (W).

La vitesse de la broche sera affichée sur l'écran (Y).

Le bouton d'arrêt d'urgence (X) arrête toutes les fonctions de la machine.

Tournez le bouton d'arrêt d'urgence en sens horaire pour réinitialiser.

L'éclairage de travail (G, Fig 5-1) fonctionne de manière indépendante ; le bouton d'activation/de désactivation se trouve sur le haut du boîtier du témoin.

Débranchez la machine si elle n'est pas utilisée.

10.2 Mandrinage

Ne dépassez pas la vitesse maximale du dispositif de maintien de la pièce.

Les dents des mors et la couronne dentée doivent toujours être entièrement engagées. Sinon, les mors de mandrin peuvent se casser et être projetés lors de la rotation (Fig 10-1).

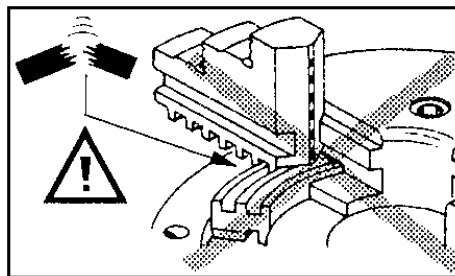


Figure 10-1 : Mauvais engagements des mors

Évitez les extensions de pièces longues. Les pièces peuvent se plier (Fig 10-2) ou être projetées (Fig 10-3). Utilisez la contre-poupée ou la lunette pour les maintenir.

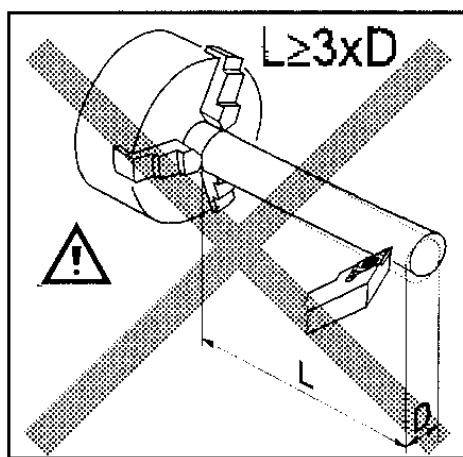


Figure 10-2 : Pièce trop longue

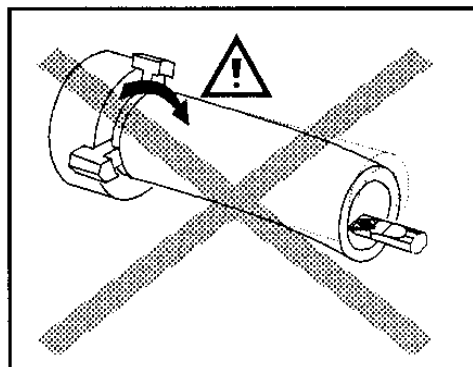


Figure 10-3 : Pièce trop longue

Évitez tout contact de serrage court (A, Fig 10-4) ou tout serrage sur un diamètre mineur (B). Placez la pièce sur la face pour améliorer le support.

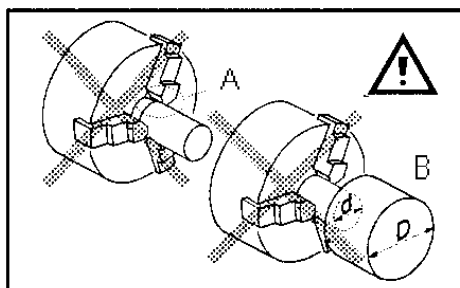


Figure 10-4 : Mauvais serrage

10.3 Réglage de l'outil de coupe

L'angle de coupe est correct lorsque l'arête tranchante est conforme à l'axe central de la pièce. Utilisez le point des contre-pointes comme une jauge et des rondelles sous l'outil pour obtenir la hauteur au centre correcte (Fig 10-5).

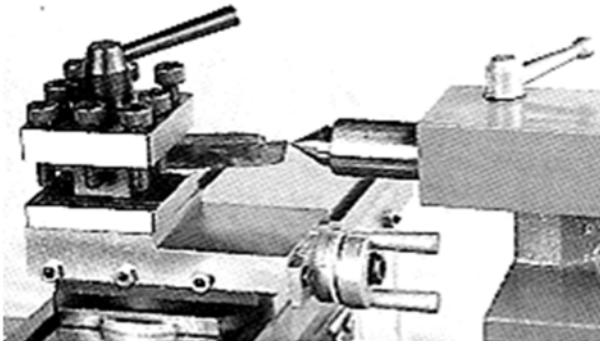


Figure 10-5 : Réglage de l'outil de coupe

Utilisez au moins deux vis pour serrer l'outil de coupe.

Évitez les extensions de grands outils.

10.4 Vitesses de broche recommandées

ATTENTION :

Généralement, plus le diamètre de coupe est petit, plus le régime-moteur est élevé. Les matériaux mous requièrent des vitesses plus élevées ; les métaux durs requièrent des vitesses faibles.

Le métal est généralement usiné avec du réfrigérant ou l'huile de coupe est appliquée.

Vitesses recommandées pour l'usinage d'un diamètre de 10 mm avec des outils HSS (outils en acier à grande vitesse) :

- Plastique : 2500 TR/MIN
 - Aluminium : 2500 TR/MIN
 - Laiton : 1000 TR/MIN
 - Fonte : 1000 TR/MIN
 - Acier doux : 800 TR/MIN
 - Acier à haute teneur en carbone : 600 TR/MIN
 - Acier inoxydable : 300 TR/MIN
- Pour les outils en carbure (HM), des vitesses 5 fois supérieures peuvent être sélectionnées.

Par exemple :

- Le tournage de l'acier doux à un diamètre de 20 mm permet
- Avec outil HSS 400 TR/MIN
- Avec outil en carbure 2000 TR/MIN

10.5 Tournage manuel

La course du tablier (Z, Fig 10-6), la course de la glissière transversale (AA) et de la glissière supérieure (BB) peut être effectuée sur l'avance longitudinale et transversale.

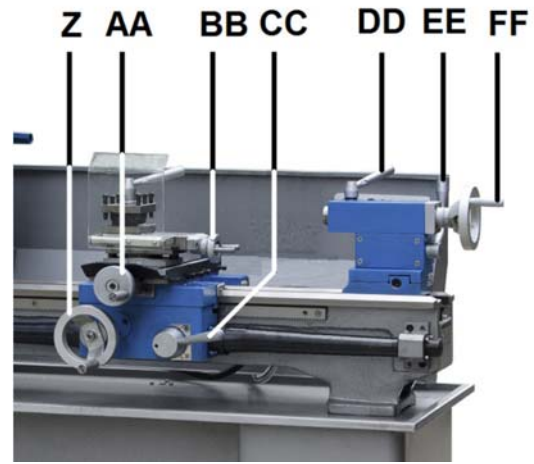


Figure 10-6 : Commandes de la machine

L'avance correcte dépend du matériau à couper, de l'opération de coupe, du type d'outil, de la rigidité de la pièce serrée, de la profondeur de coupe et de la qualité de la surface souhaitée.

10.6 Tournage avec avance auto

Abaissez le levier demi-écrou (CC, Fig 10-6) pour engager l'avance longitudinale automatiquement. Remontez-le pour désengager.

Trois vitesses d'avance sont disponibles en tournant le bouton de sélection de l'avance (R, Fig 9-1).

Par exemple :

Fonctionnement	avance/tr	Bouton de sélection
Dépose du matériau	0,28mmIII
Coupe de finition	0.14mmII
Coupe de finition micro	0.07mmI

REMARQUE : Trois vitesses d'avance supplémentaires sont disponibles avec différents réglages de l'engrenage à changement de vitesse (Fig 10-7).

	mm / tr	
Z1	30	25
Z2	60	70
Z3	20	20
Z4	75	75
L	80	80
I	0.10	0.07
II	0.20	0.14
III	0.40	0.28

Figure 10-7 : Vitesses d'avance possibles

L'avance correcte dépend du matériau à couper, de l'opération de coupe, du type d'outil, de la rigidité de la pièce serrée, de la profondeur de coupe et de la qualité de la surface souhaitée.

Lors du dégrossissage de grands diamètres, réduisez la profondeur de coupe !

10.7 Filetage

Le filetage est réalisé en plusieurs passes avec un outil de filetage.

Chaque profondeur de coupe doit être d'environ 0,2 mm et diminue pour les passes de finition.

A) Pour usiner des filetages en pouces et métriques

Réglez la machine pour le pas de filetage souhaité (voir le chapitre 8.2).

Sélectionnez la vitesse de broche la plus basse possible.

Engagez le demi-écrou (CC, Fig 10-6).

REMARQUE : Le demi-écrou doit resté engagé pendant tout le processus de filetage.

- Réglez l'outil pour la passe de filetage.

- Démarrez le moteur.

- Lorsque l'outil atteint la fin de la coupe, arrêtez le moteur et en même temps sortez l'outil de sorte que le diamètre de filetage soit supprimé.

- Démarrez le moteur dans le sens inverse, laissez l'outil de coupe revenir au point de départ.

Répétez ces étapes jusqu'à ce que vous ayez obtenu les résultats souhaités.

B) Pour usiner des filetages métriques avec un pas de 0,4/0,5/1,0/2,0 mm :

Le demi-écrou peut être ouvert à la fin de la coupe plutôt que d'arrêter et d'inverser le moteur.

10.8 Opération de perçage

Utilisez un mandrin de perçage avec un arbre MT2 (option) pour serrer les forets à centrer et les forets hélicoïdaux dans la contre-poupée (Fig 10-8).

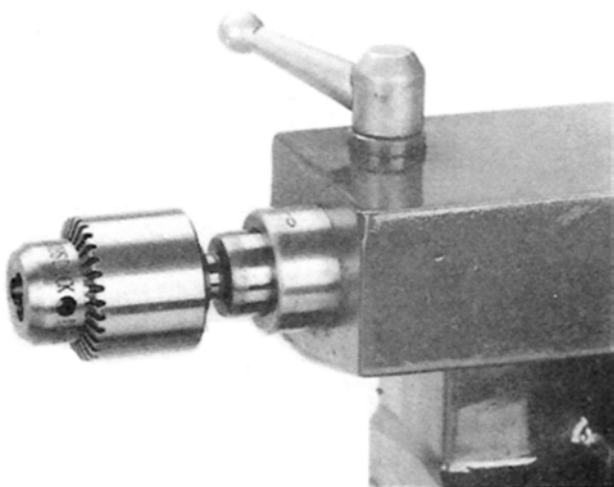


Figure 10-8 : Opération de perçage

Pour les vitesses recommandées, voir la section 10.4.

Pour éjecter le mandrin de perçage, rétractez complètement le fourreau de la contre-poupée.

11.0 Entretien par l'utilisateur



AVERTISSEMENT :

Avant toute intervention sur la machine, débranchez-la de l'alimentation électrique et retirez la fiche de la prise de courant. Le non-respect de cette obligation peut causer de graves blessures.

Un facteur de sécurité important est le nettoyage de la machine, du banc, du chariot et des glissières, du sol et des espaces environnants.

Des objets desserrés peuvent entrer en contact avec le mandrin mobile ou la pièce, ce qui peut être dangereux.

Videz le bac de copeaux régulièrement.

Remplacez régulièrement le réfrigérant en suivant les recommandations du fabricant.

Vérifiez que les boulons sont serrés et que les cordons électriques sont en bon état. Si un cordon électrique est usé, coupé ou endommagé, remplacez-le immédiatement.

11.1 Lubrification

Les roulements de la broche sont pré-lubrifiés et hermétiques ; ils ne nécessitent pas de nouvelle lubrification.

Lubrification hebdomadaire :

DIN 51502 CG ISO VG 68

(par exemple BP Maccurat 68, Castrol Magna BD 68, Mobil Vectra 2)

- 1...Huilez les billes sur les moyeux à changement de vitesse
- 2...Huilez légèrement les glissières du banc
- 3...Huilez le fourreau de la contre-poupée sur toute sa longueur
- 4...Huilez la vis-mère sur toute sa longueur
- 5...Huile les billes sur le support de la vis-mère
- 6...Huilez les billes sur la glissière supérieure
- 7...Huilez les billes sur la contre-poupée
- 8...Huilez les billes sur le chariot.
- 9...Huilez les billes sur le tablier.

Lubrification mensuelle :

DIN 51807-1 Graisse non-accrochante

(par exemple BP L2, Mobilgrease Special).

- 10...Graissez les dents des engrenages à changement de vitesse
- 11...Graissez la crémaillère sur toute sa longueur

Huile de la boîte de vitesses :

DIN 51517-2 CL ISO VG 68

(par exemple BP Energol HLP 68, Mobil DTE Oil Heavy Medium)

L'huile ne doit pas dépasser la marque de l'indicateur dans le verre-regard d'huile.

Dans ce cas, remplissez avec de l'huile en retirant le bouchon sur le côté droit de la boîte de vitesses.

12.0 Dépannage

Symptôme	Cause possible	Correction *
Le tour ne démarre pas.	Le tour n'est pas raccordé à la paroi ou au moteur.	Contrôlez toutes les connexions de fiche d'alimentation.
	Fusible grillé ou disjoncteur déclenché.	Remplacez le fusible ou réinitialisez le disjoncteur de circuit.
	Cordon endommagé.	Remplacez le cordon.
	Protection du mandrin non fermée.	Fermez la protection du mandrin.
	Couvercle de poulie enlevé	Installez le couvercle de la poulie.
Le tour ne parvient pas à prendre de la vitesse.	Rallonge électrique trop légère ou trop longue.	Remplacez par une rallonge de longueur et de taille adéquates.
	Courant faible.	Contactez un technicien qualifié.
Le tour vibre de manière excessive.	Base positionnée sur une surface irrégulière.	Placez le tour sur un sol plan.
	Le tour n'est pas boulonné au sol.	Boulonnez la machine au sol.
	Pièce déséquilibrée	Réduisez la vitesse.
	Déviations de la pièce	Augmentez la longueur de serrage ou le diamètre, supportez l'extrémité de la contre-poupée.
	Déviations de l'outil	Réduisez la longueur de l'outil.
	Jeu de la glissière	Ajustez les glissières.
	Marche à sec des glissières	Lubrifiez avec de l'huile.
	Pointe de l'outil émoussée	Réaffûtez ou changez l'outil.
	Charge de copeaux trop élevée	Réduisez la profondeur de coupe ou l'avance.
Fonctionnement bruyant	Faites sécher les moyeux à changement de vitesse.	Lubrifiez avec de l'huile.
	Faites sécher les engrenages à changement de vitesse.	Lubrifiez avec de la graisse.
Combustions provenant de la pointe de l'outil	Vitesse de coupe trop élevée	Réduisez la vitesse de broche.
	Pointe de l'outil émoussée.	Réaffûtez ou changez l'outil.
	Coupe à sec.	Utilisez du réfrigérant.
	Avance trop lente.	Augmentez la vitesse d'avance.
La machine tourne un cône.	L'alignement de la contre-poupée est décalé.	Alignez la position de la contre-poupée.
	Le banc de la machine est tordu.	La surface portante du support doit être plate. Calez si nécessaire.
	Déviations de la pièce	Réduisez la profondeur de coupe ou l'avance.
Le mandrin de perçage ou l'arbre ne reste pas à sa place.	Saleté, graisse, etc. sur l'arbre, le mandrin ou le fourreau de la contre-poupée	Nettoyez toutes les surfaces de contact avec un nettoyant/dégraissant.

* **AVERTISSEMENT** : Certaines corrections doivent être effectuées par un électricien qualifié.

Tableau 1

13.0 Protection environnementale

Protégez l'environnement.

Mettez l'emballage au rebut en respectant les consignes environnementales.

Mettez au rebut le réfrigérant en respectant les consignes environnementales.

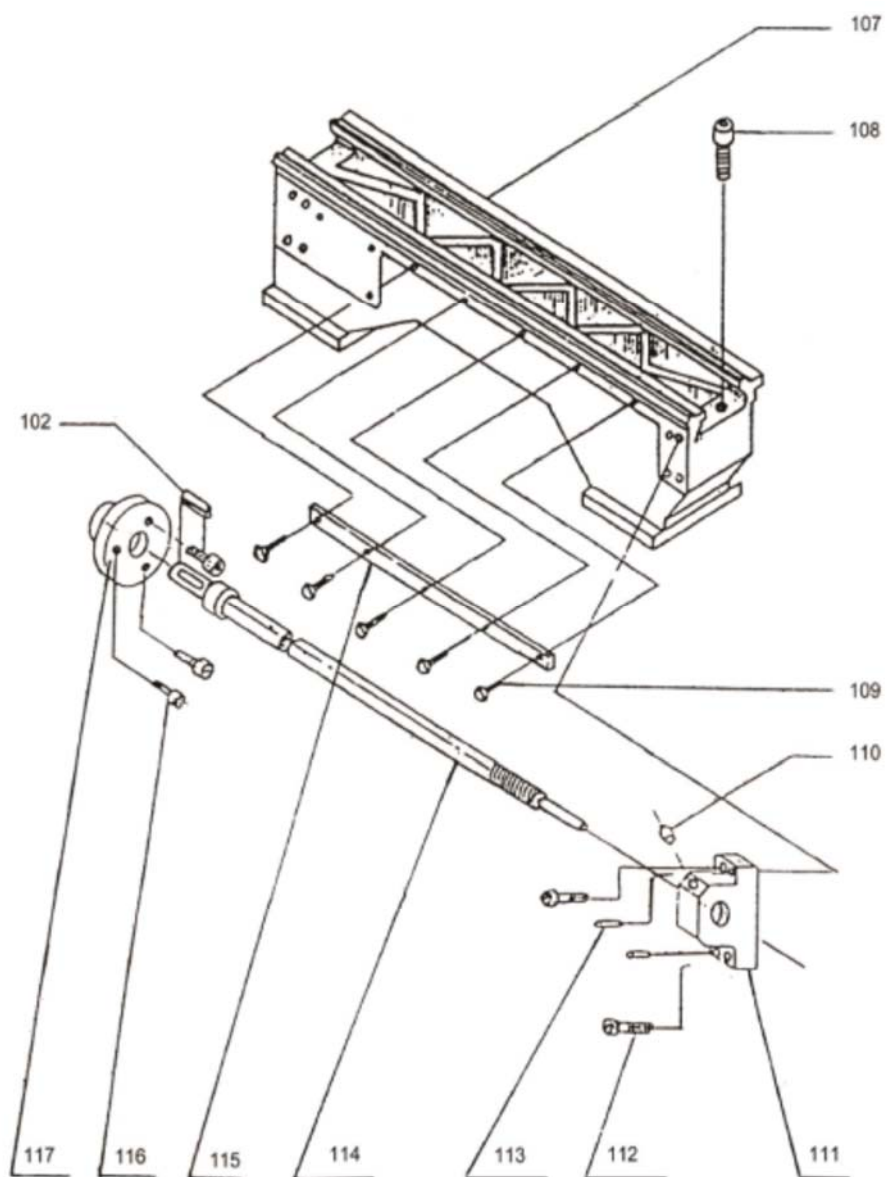
Votre appareil contient des matériaux précieux pouvant être récupérés ou recyclés. Veuillez les laisser à un institut spécialisé.

14.0 Accessoires disponibles

Reportez-vous à la liste de prix JET.

15.0 Pièces de rechange

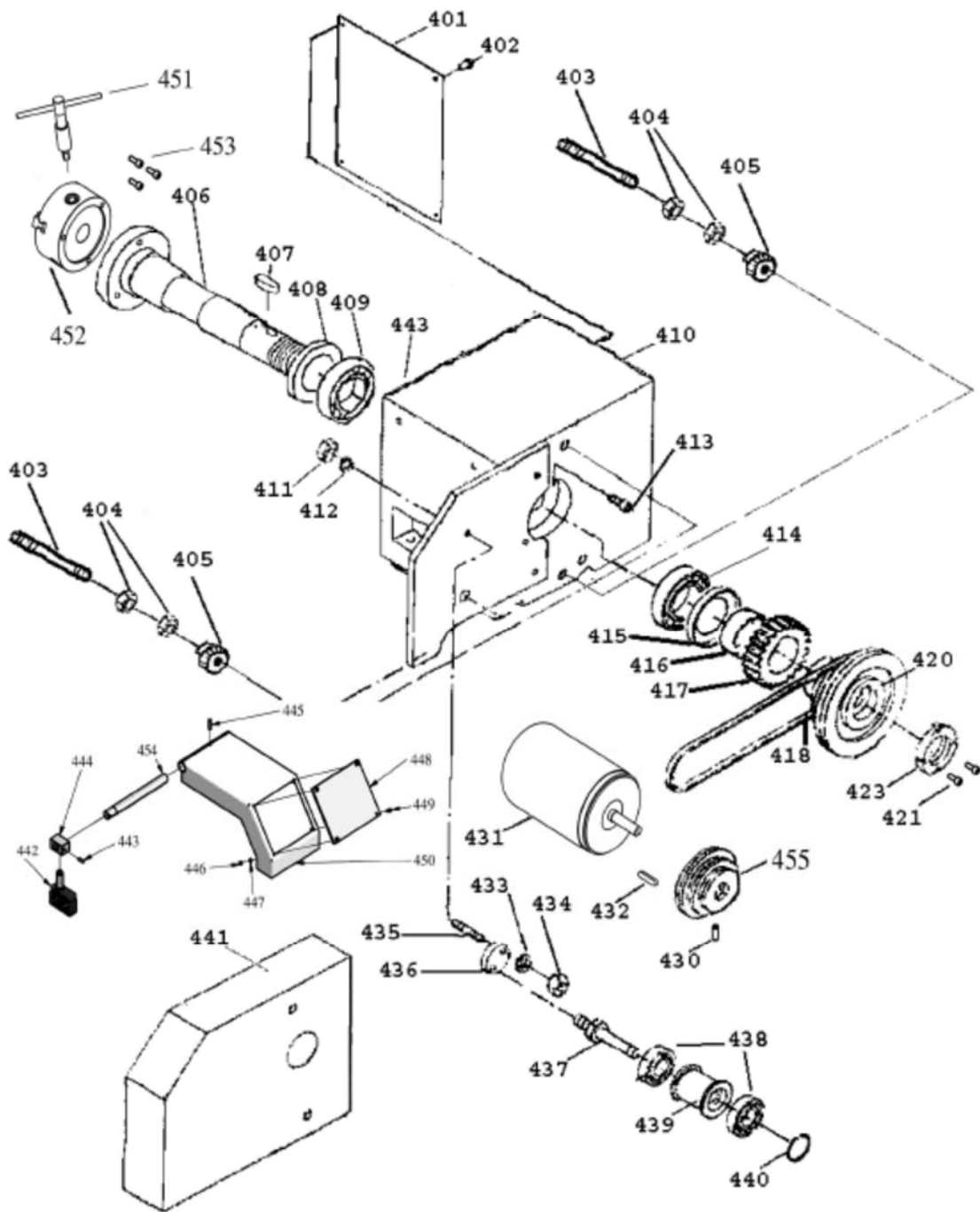
PBD-2555V Vue explosée -1



PBD-2555V Liste de pièces de la vue explosée -1

Index N°	Pièce N°	Description	Taille	Qté
102	PBD2555V-1	CLE PLATE	4 x 12 mm	1
107	PBD2555V-1-107	BANC DU TOUR		1
108	PBD2555V-2	VIS A SIX PANS CREUX M8 x 12	M8 x 12	1
109	PBD2555V-3	VIS A SIX PANS CREUX M5 x 12	M5 x 12	5
110	PBD2555V-4	HUILEUR DE BILLES	6	1
111	PBD2555V-1-111	SUPPORT DE PALIER DROIT		1
112	PBD2555V-5	VIS A SIX PANS CREUX M6 x 16	M6 x 16	4
113	PBD2555V-6	CLE PLATE GOUPILLE DE CONE 6 x 22	DIN 6885	2
114	PBD2555V-1-114	VIS-MERE		1
115	PBD2555V-1-115	CREMAILLERE		1
116	PBD2555V-7	VIS A SIX PANS CREUX M4 x 16	M4 x 16	3
117	PBD2555V-1-117	BRIDE DE REGLAGE		1

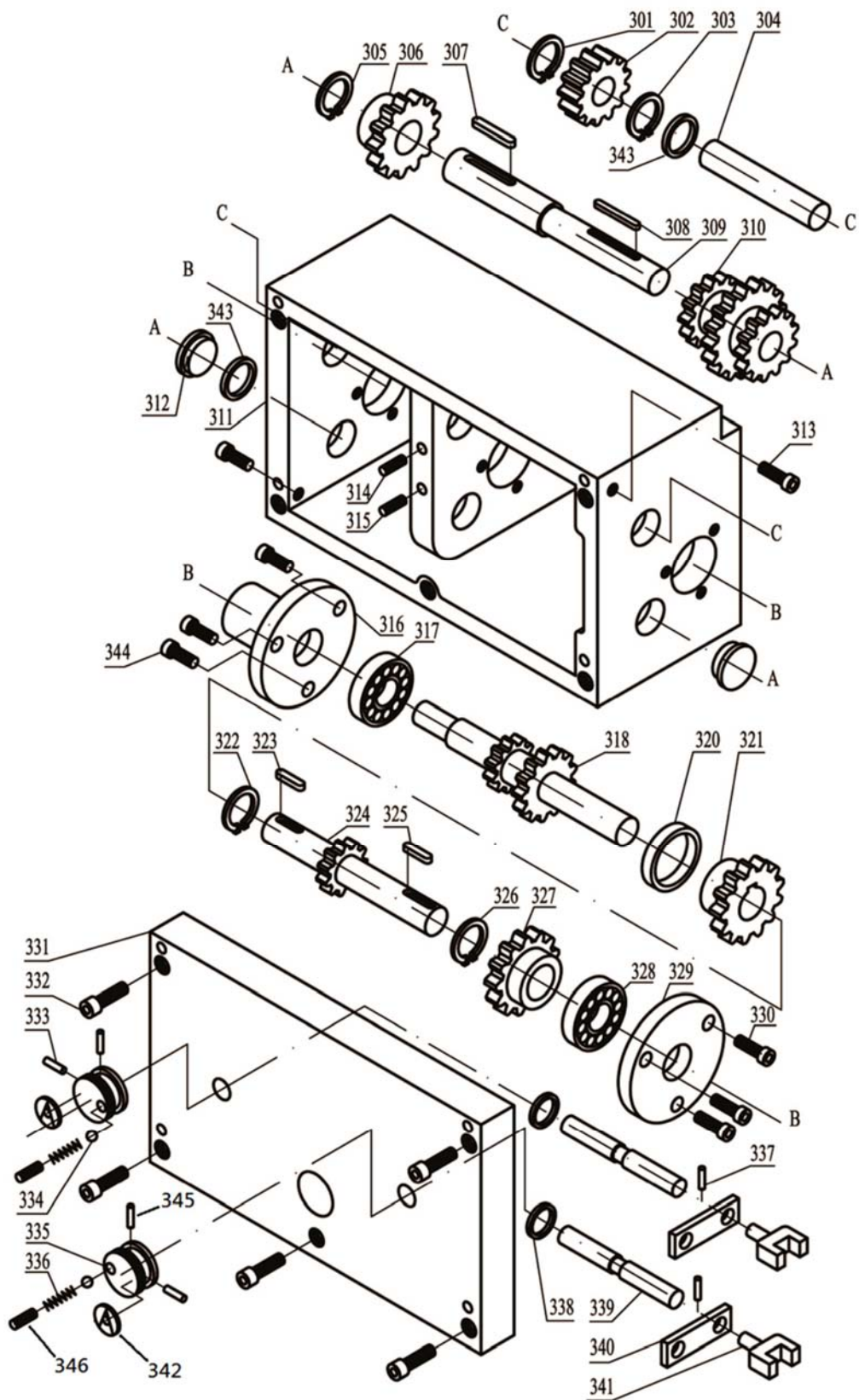
PBD-2555V Vue explosée -2



PBD-2555V Liste de pièces de la vue explosée -2

Index N°	Pièce N°	Description	Taille	Qté
401	PBD2555V-2-401	PLAQUE CARACTERISTIQUE		1
402	PBD2555V-8	VIS DE FIXATION	M4 × 10	6
403	PBD2555V-2-403	COUVERCLE DE PROTECTION DE LA TIGE FILETEE		2
404	PBD2555V-9	ECROU	M10	4
405	PBD2555V-2-405	ECROU MOLETE		2
406	PBD2555V-2-406	BROCHE DE TRAVAIL		1
407	PBD2555V-10	CLAVETTE	8×45	1
408	PBD2555V-2-408	ANNEAU		1
409	PBD2555V-11	PALIER	32009	1
410	PBD2555V-2-410	POUPEE FIXE		1
411	PBD2555V-12	ECROU	M10	1
412	PBD2555V-13	RONDELLE	10	1
413	PBD2555V-14	VIS A SIX PANS CREUX	M8 × 25	1
414	PBD2555V-15	PALIER	32009	1
415	PBD2555V-2-415	ANNEAU		1
416	PBD2555V-2-416	DOUILLE		1
417	PBD2555V-2-417	ROUE A ENGRENAGE		1
418	PBD2555V-2-418	COURROIE TRAPEZOIDALE COURTE	7M-730	1
420	PBD2555V-2-420	POULIE COMBINEE A LA BROCHE DE TRAVAIL		1
421	PBD2555V-16	VIS A SIX PANS CREUX	M5 × 12	2
423	PBD2555V-17	ECROU DE L'ARBRE (ECROU DE LA RAINURE)		1
430	PBD2555V-18	GOUPILLE FILETEE	ISO 4028-M6x10	1
431	PBD2555V-2-431	MOTEUR	110ZYT59T1	1
432	PBD2555V-19	CLE PLATE	4 x 30 mm	1
433	PBD2555V-20	RONDELLE		1
434	PBD2555V-21	ECROU HEXAGONAL M8	DIN 439	1
435	PBD2555V-2-435	VIS A SIX PANS CREUX		1
436	PBD2555V-2-436	EXCENTRIQUE DE LA POULIE DE TENSION		1
437	PBD2555V-2-437	ARBRE DE LA POULIE DE TENSION		1
438	PBD2555V-22	PALIER 6001RZ	6001RZ	2
439	PBD2555V-2-439	POULIE DE TENSION		1
440	PBD2555V-23	CIRCLIP		1
441	PBD2555V-2-441	COUVERCLE DU BOITIER DE LA ROUE DE SUSPENSION		1
442	PBD2555V-2-442	COMMUTATEUR MICRO		1
443	PBD2555V-24	JEU DE VIS CYLINDRIQUES HEXAGONALES	M5 × 12	1
444	PBD2555V-2-444	MANCHON DE L'ARBRE		1
445	PBD2555V-25	GOUPILLE CYLINDRIQUE	3×20	1
446	PBD2555V-26	ECROU	M4	4
447	PBD2555V-27	RONDELLE PLATE	Φ4	4
448	PBD2555V-2-448	LUNETTES PROTECTRICES		1
449	PBD2555V-28	VIS A TETE A SIX PANS CREUX	M4 × 10	4
450	PBD2555V-2-450	PROTECTION DU MANDRIN		1
451	PBD2555V-2-451	CLAVETTE POUR LE MANDRIN A 3 MORS	10mm	1
452	PBD2555V-2-452	MANDRIN A TROIS MORS	K11-125	1
453	PBD2555V-29	VIS A SIX PANS CREUX	M8 x 35	3
454	PBD2555V-2-454	ARBRE DE PROTECTION DU MANDRIN		1
455	PBD2555V-2-455	POULIE DU MOTEUR		1

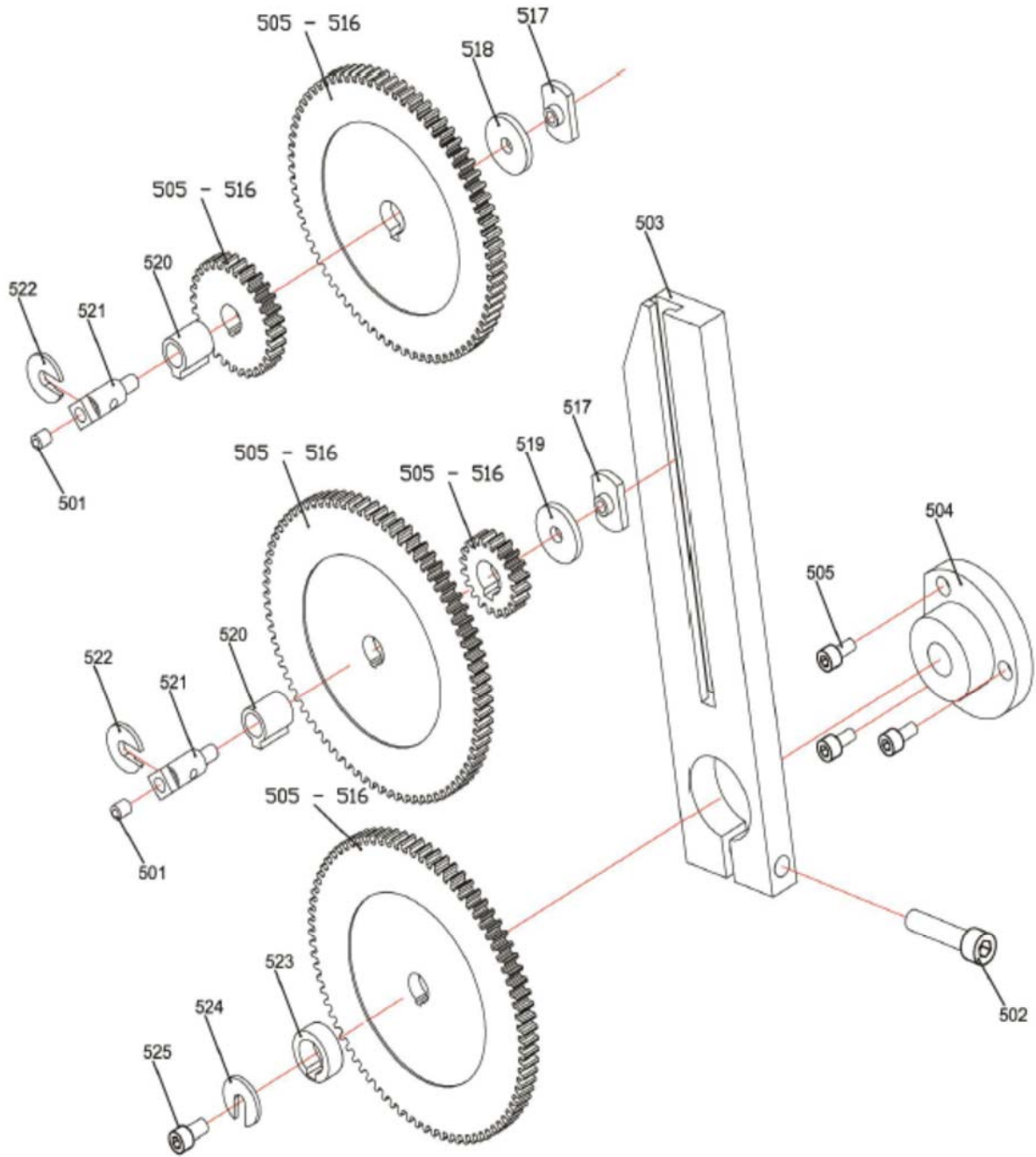
PBD-2555V Vue explosée -3



PBD-2555V Liste de pièces de la vue explosée -3

Index N°	Pièce N°	Description	Taille	Qté
301	PBD2555V-30	RONDELLE DE VERROUILLAGE	Φ12	1
302	PBD2555V-3-302	ROUE A ENGRENAGE		1
303	PBD2555V-31	RONDELLE DE VERROUILLAGE	Φ12	1
304	PBD2555V-3-304	ARBRE C		1
305	PBD2555V-3-305	CIRCLIP POUR L'ARBRE Φ16		1
306	PBD2555V-3-306	ROUE A ENGRENAGE		1
307	PBD2555V-32	CLAVETTE	4x30	1
308	PBD2555V-33	CLAVETTE	4x60	1
309	PBD2555V-3-309	ARBRE A		1
310	PBD2555V-3-310	COMBINAISON ROUE A ENGRENAGE		1
311	PBD2555V-3-311	BOITIER DE LA ROUE A ENGRENAGE		1
312	PBD2555V-3-312	BOUCHON		2
313	PBD2555V-3-313	VIS DE REGLAGE ZG 3/8	ZG 3/8	2
314	PBD2555V-34	VIS A SIX PANS CREUX	M6 x 10	1
315	PBD2555V-35	VIS A SIX PANS CREUX	M6 x 10	1
316	PBD2555V-3-316	BRIDE		1
317	PBD2555V-3-317	PALIER	180202	1
318	PBD2555V-3-318	ROUE A ENGRENAGE		1
319	PBD2555V-3-319	ARBRE	1215	1
320	PBD2555V-3-320	ANNEAU DE L'ARBRE		1
321	PBD2555V-3-321	ROUE A ENGRENAGE		1
322	PBD2555V-36	CIRCLIP	Φ15	1
323	PBD2555V-37	CLAVETTE	4x14	1
324	PBD2555V-3-324	ARBRE FORMANT PIGNON		1
325	PBD2555V-38	CLAVETTE	4x10	1
326	PBD2555V-39	RONDELLE DE VERROUILLAGE	Φ15	1
327	PBD2555V-3-327	ROUE A ENGRENAGE		1
328	PBD2555V-3-328	PALIER	180202	1
329	PBD2555V-3-329	COUVERCLE DE BRIDE DE LA VIS-MERE		1
330	PBD2555V-40	VIS A SIX PANS CREUX	M6 x 12	3
331	PBD2555V-3-331	PLAQUE AVANT		1
332	PBD2555V-41	VIS A SIX PANS CREUX M6 x 20	M6 x 20	5
333	PBD2555V-42	GOUPILLE ELASTIQUE, ISO 8752	A5 x 30	2
334	PBD2555V-43	BILLE D'ACIER	Φ5	2
335	PBD2555V-3-335	INTERRUPTEUR DE SELECTION		2
336	PBD2555V-44	RESSORT	0, 8x45x11	2
337	PBD2555V-45	GOUPILLE	Φ5 x 20	2
338	PBD2555V-46	JOINT TORIQUE	1800710	2
339	PBD2555V-3-339	ARBRE		2
340	PBD2555V-3-340	PLAQUE		2
341	PBD2555V-3-341	FOURCHE DE CHANGEMENT DE VITESSES		2
342	PBD2555V-3-342	MARQUAGE DE L'INTERRUPTEUR DE SELECTION		2
343	PBD2555V-3-343	BAGUE D'ETANCHEITE EN CAOUTCHOUC 14,0 x 2,65		2
344	PBD2555V-3-344	VIS A SIX PANS CREUX	M5 x 12	3
345	PBD2555V-3-345	VIS A SIX PANS CREUX		1
346	PBD2555V-3-346	VIS A SIX PANS CREUX		1

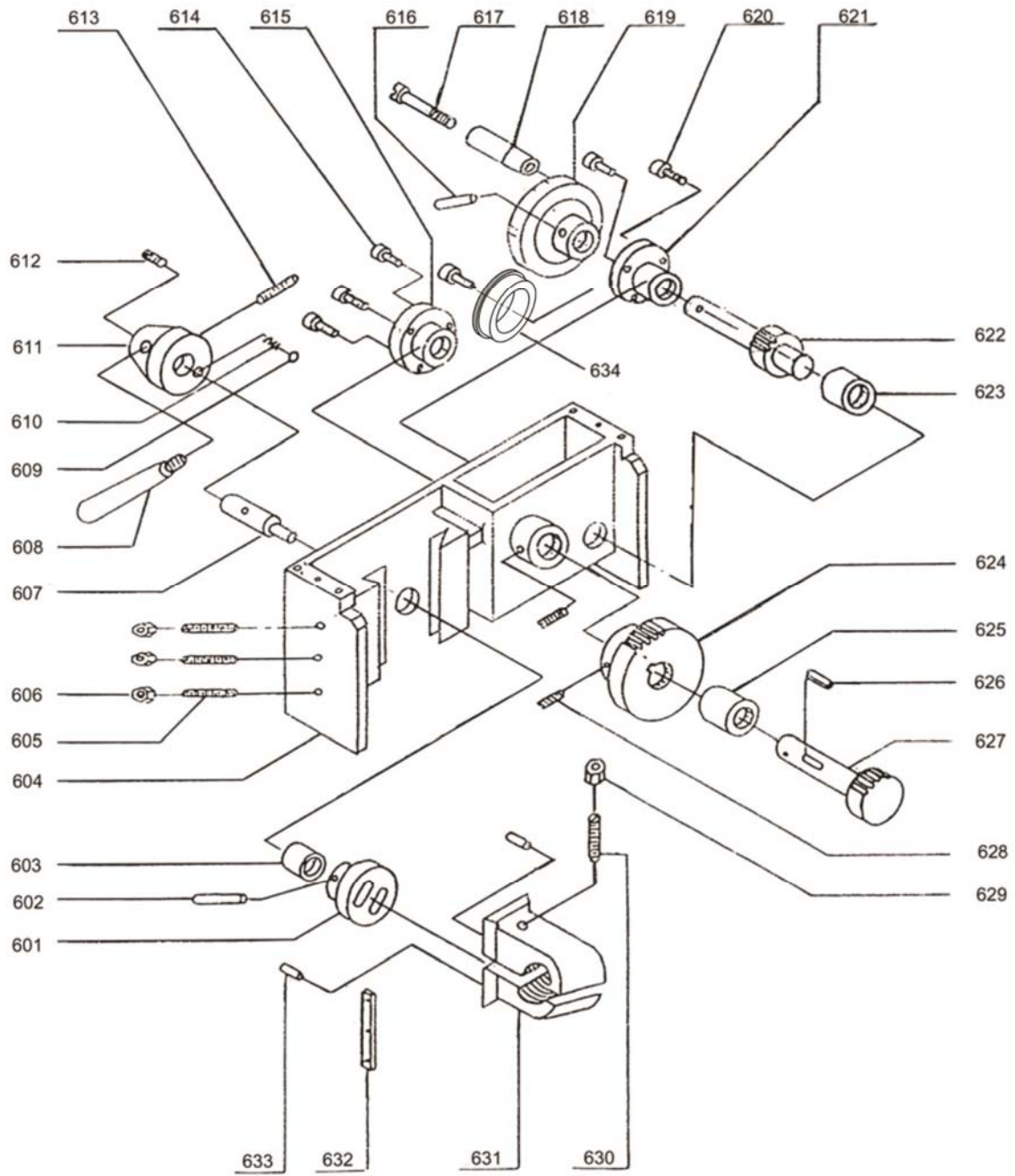
PBD-2555V Vue explosée -4



PBD-2555V Liste de pièces de la vue explosée -4

Index N°	Pièce N°	Description	Taille	Qté
501	PBD2555V-47	NIPPLE D'HUILE		2
502	PBD2555V-48	VIS A SIX PANS CREUX DIN 912	M8 × 35	1
503	PBD2555V-4-503	RAIL D'ENGRENAGE A CHANGEMENT DE VITESSE		1
504	PBD2555V-4-504	SUPPORT DE PALIER		1
505	PBD2555V-49	VIS A SIX PANS CREUX DIN 912	M5 × 10	3
506	PBD2555V-4-506	ENGRENAGE Z85, module 1, 5		1
507	PBD2555V-4-507	ENGRENAGE Z80, module 1, 5		1
508	PBD2555V-4-508	ENGRENAGE Z75, module 1, 5		1
509	PBD2555V-4-509	ENGRENAGE Z70, module 1, 5		1
510	PBD2555V-4-510	ENGRENAGE Z65, module 1, 5		1
511	PBD2555V-4-511	ENGRENAGE Z60, module 1, 5		2
512	PBD2555V-4-512	ENGRENAGE Z50, module 1, 5		1
513	PBD2555V-4-513	ENGRENAGE Z45, module 1, 5		1
514	PBD2555V-4-514	ENGRENAGE Z30, module 1, 5		1
515	PBD2555V-4-515	ENGRENAGE Z25, module 1, 5		1
516	PBD2555V-4-516	ENGRENAGE Z20, module 1, 5		1
517	PBD2555V-4-517	ECROU EN T	M5	2
518	PBD2555V-4-518	ENTRETOISE	1,5mm	1
519	PBD2555V-4-519	ENTRETOISE	3 mm	1
520	PBD2555V-4-520	DOUILLE		2
521	PBD2555V-4-521	ARBRE D'ESSIEU		2
522	PBD2555V-4-522	RONDELLE EN C		2
523	PBD2555V-4-523	ECARTEUR DE COLLIER		1
524	PBD2555V-4-524	RONDELLE EN C		1
525	PBD2555V-50	VIS A SIX PANS CREUX DIN 912	M6 × 10	1

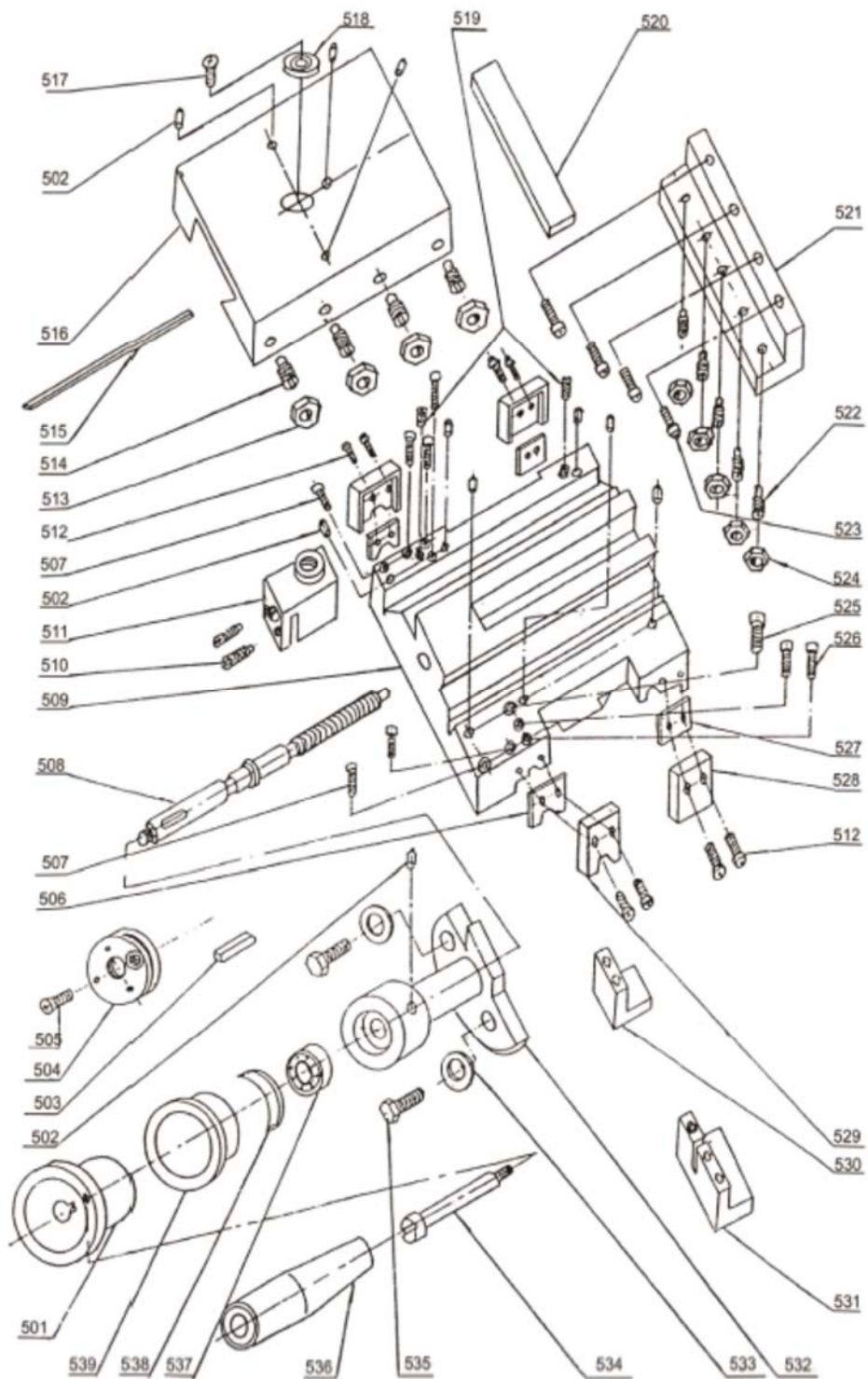
PBD-2555V Vue explosée -5



PBD-2555V Liste de pièces de la vue explosée -5

Index N°	Pièce N°	Description	Taille	Qté
601	PBD2555V-5-601	EXCENTRIQUE		1
602	PBD2555V-51	GOUPILLE DE CONE	3x20	1
603	PBD2555V-5-603	DOUILLE		1
604	PBD2555V-5-604	BOITIER		1
605	PBD2555V-52	VIS A SIX PANS CREUX	M5 x 30	3
606	PBD2555V-53	ECROU M5	DIN 439	3
607	PBD2555V-5-607	ARBRE		1
608	PBD2555V-5-608	POIGNEE		1
609	PBD2555V-54	BILLE D'ACIER 5		1
610	PBD2555V-55	RESSORT DE COMPRESSION	0.8x5x25	1
611	PBD2555V-5-611	MOYEU D'ENGAGEMENT		1
612	PBD2555V-56	VIS A SIX PANS CREUX	M6 x 10	1
613	PBD2555V-57	VIS A SIX PANS CREUX	M4 x 8	3
614	PBD2555V-58	VIS A SIX PANS CREUX	M4 x 8	3
615	PBD2555V-5-615	SUPPORT DE BRIDE		1
616	PBD2555V-59	GOUPILLE DE CONE	3x30	1
617	PBD2555V-5-617	GUIDON		1
618	PBD2555V-5-618	POIGNEE		1
619	PBD2555V-5-619	ROUE A MAIN		1
620	PBD2555V-60	VIS A SIX PANS CREUX	M4 x 8	3
621	PBD2555V-5-621	SUPPORT DE BRIDE		1
622	PBD2555V-5-622	ARBRE DU PIGNON		1
623	PBD2555V-5-623	DOUILLE		1
624	PBD2555V-5-624	ROUE A ENGRENAGE		1
625	PBD2555V-5-625	DOUILLE		1
626	PBD2555V-61	CLE PLATE	5 x 10 mm	1
627	PBD2555V-5-627	ARBRE DU PIGNON		1
628	PBD2555V-62	VIS	M4 x 8	2
629	PBD2555V-63	ECROU	M5	1
630	PBD2555V-64	VIS A SIX PANS CREUX	M5 x 25	1
631	PBD2555V-5-631	ECROU DE VIS-MERE (JEU)		1
632	PBD2555V-5-632	BARRE CONDUCTRICE		1
633	PBD2555V-65	GOUPILLE DU PIGNON	5x20	2
634	PBD2555V-5-634	COLLIER GRADUE		1

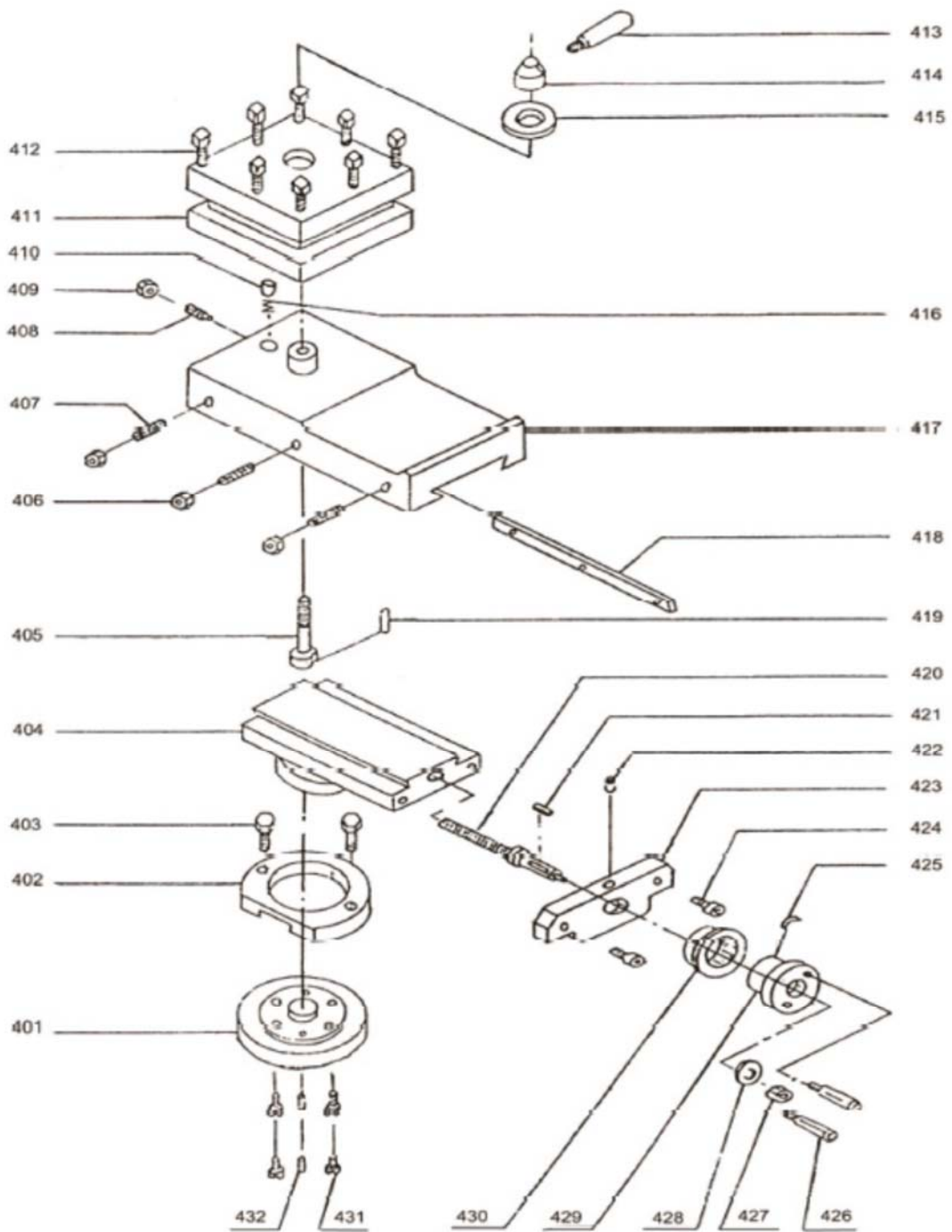
PBD-2555V Vue explosée -6



PBD-2555V Liste de pièces de la vue explosée -6

Index N°	Pièce N°	Description	Taille	Qté
501	PBD2555V-6-501	ROUE A MAIN		1
502	PBD2555V-66	HUILEUR DE BILLES	.6	10
503	PBD2555V-67	CLE PLATE	.4 x 12 mm	1
504	PBD2555V-6-504	ECROU ROND		1
505	PBD2555V-68	VIS	M3 x 6	1
506	PBD2555V-6-506	RACLOIR		2
507	PBD2555V-69	VIS A SIX PANS CREUX	M6 x 35	4
508	PBD2555V-6-508	BROCHE DE LA GLISSIERE TRANSVERSALE		1
509	PBD2555V-6-509	CHARIOT DU TOUR		1
510	PBD2555V-70	VIS A SIX PANS CREUX	M3 x 12	2
511	PBD2555V-6-511	ECROU DE BROCHE DE LA GLISSIERE TRANSVERSALE		1
512	PBD2555V-71	VIS		8
513	PBD2555V-72	ECROU	M5	4
514	PBD2555V-73	VIS A SIX PANS CREUX	M5 x 25	4
515	PBD2555V-6-515	BARRE CONDUCTRICE		1
516	PBD2555V-6-516	GLISSIERE TRANSVERSALE		1
517	PBD2555V-74	VIS A SIX PANS CREUX	M5 x 10	1
518	PBD2555V-6-518	RONDELLE		1
519	PBD2555V-75	VIS A SIX PANS CREUX	M8 x 10	2
520	PBD2555V-6-520	BARRE CONDUCTRICE		1
521	PBD2555V-6-521	RAIL DE GUIDE		1
522	PBD2555V-76	VIS A SIX PANS CREUX	M4 x 16	5
523	PBD2555V-77	VIS A SIX PANS CREUX	M5 x 16	4
524	PBD2555V-78	ECROU	M4	5
525	PBD2555V-79	VIS	M8 x 20	1
526	PBD2555V-80	VIS	M5 x 20	4
527	PBD2555V-6-527	RACLOIR		2
528	PBD2555V-6-528	RENFORCEMENT METALLIQUE		2
529	PBD2555V-6-529	RENFORCEMENT METALLIQUE		2
530	PBD2555V-6-530	BLOC DE SECURITE AVANT		1
531	PBD2555V-6-531	BLOC DE SECURITE		1
532	PBD2555V-6-532	PALIER DU GUIDE		1
533	PBD2555V-81	RONDELLE	.8	2
534	PBD2555V-6-534	VIS A MAIN		1
535	PBD2555V-82	VIS	M6 x 20	2
536	PBD2555V-6-536	POIGNEE		1
537	PBD2555V-6-537	PALIER DE ROULEMENT	51101	1
538	PBD2555V-83	RESSORT SINUEUX		1
539	PBD2555V-6-539	COLLIER GRADUE		1

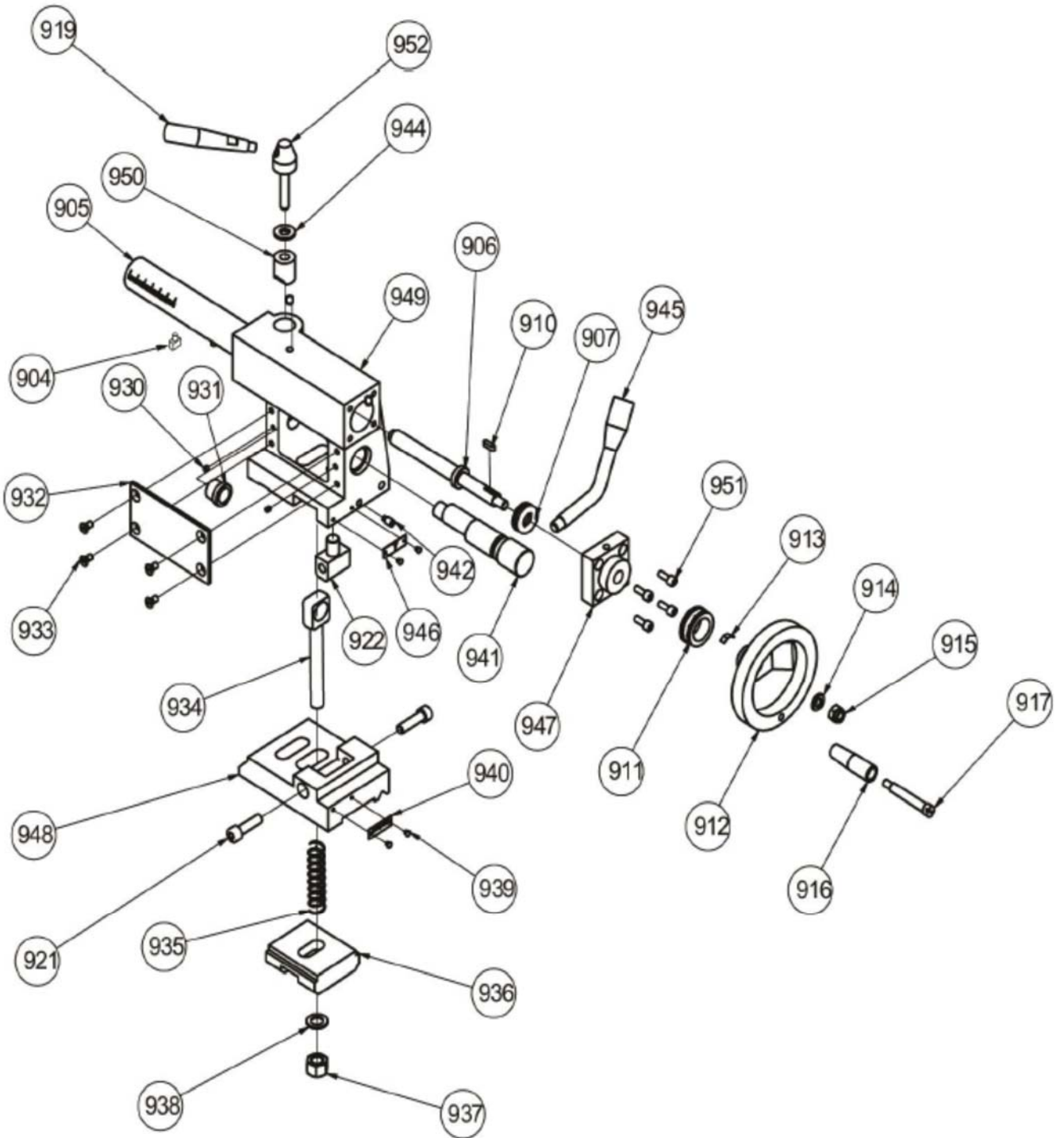
PBD-2555V Vue explosée -7



PBD-2555V Liste de pièces de la vue explosée -7

Index N°	Pièce N°	Description	Taille	Qté
401	PBD2555V-7-401	CADRAN GRADUE		1
402	PBD2555V-7-402	BRIDE INTERMEDIAIRE		1
403	PBD2555V-84	VIS A SIX PANS CREUX	M8 x 20	2
404	PBD2555V-7-404	GLISSIERE DU GUIDE		1
405	PBD2555V-7-405	VIS DE SERRAGE		1
406	PBD2555V-85	ECROU M4		3
407	PBD2555V-86	VIS A SIX PANS CREUX	M4 x 40	3
408	PBD2555V-87	VIS A SIX PANS CREUX	M4 x 12	1
409	PBD2555V-88	ECROU	M4	1
410	PBD2555V-7-410	GOUPILLE DE POSITIONNEMENT		1
411	PBD2555V-7-411	SUPPORT D'OUTIL DU TOUR		1
412	PBD2555V-89	BOULON A TETE CARREE	M8 x 25	8
413	PBD2555V-7-413	POIGNEE		1
414	PBD2555V-7-414	PIECE DE SERRAGE		1
415	PBD2555V-7-415	RONDELLE		1
416	PBD2555V-7-416	RESSORT DE COMPRESSION	0,8 x 4 x 15	1
417	PBD2555V-7-417	GLISSIERE SUPERIEURE		1
418	PBD2555V-7-418	BARRE CONDUCTRICE		1
419	PBD2555V-90	GOUPILLE PARALLELE	3x10	1
420	PBD2555V-7-420	BROCHE DE LA GLISSIERE SUPERIEURE		1
421	PBD2555V-91	CLE PLATE	3 x 12 mm	1
422	PBD2555V-92	HUILEUR DE BILLES	6	1
423	PBD2555V-7-423	SUPPORT DE PALIER		1
424	PBD2555V-93	VIS A SIX PANS CREUX	M4 x 16	2
425	PBD2555V-94	RESSORT SINUEUX		1
426	PBD2555V-7-426	POIGNEE		2
427	PBD2555V-95	ECROU	M8	1
428	PBD2555V-96	RONDELLE	8	1
429	PBD2555V-7-429	ROUE A MAIN		1
430	PBD2555V-7-430	COLLIER GRADUE		1
431	PBD2555V-97	VIS A SIX PANS CREUX	M6 x 16	4
432	PBD2555V-98	GOUPILLE PARALLELE	4x16	2

PBD-2555V Vue explosée -8

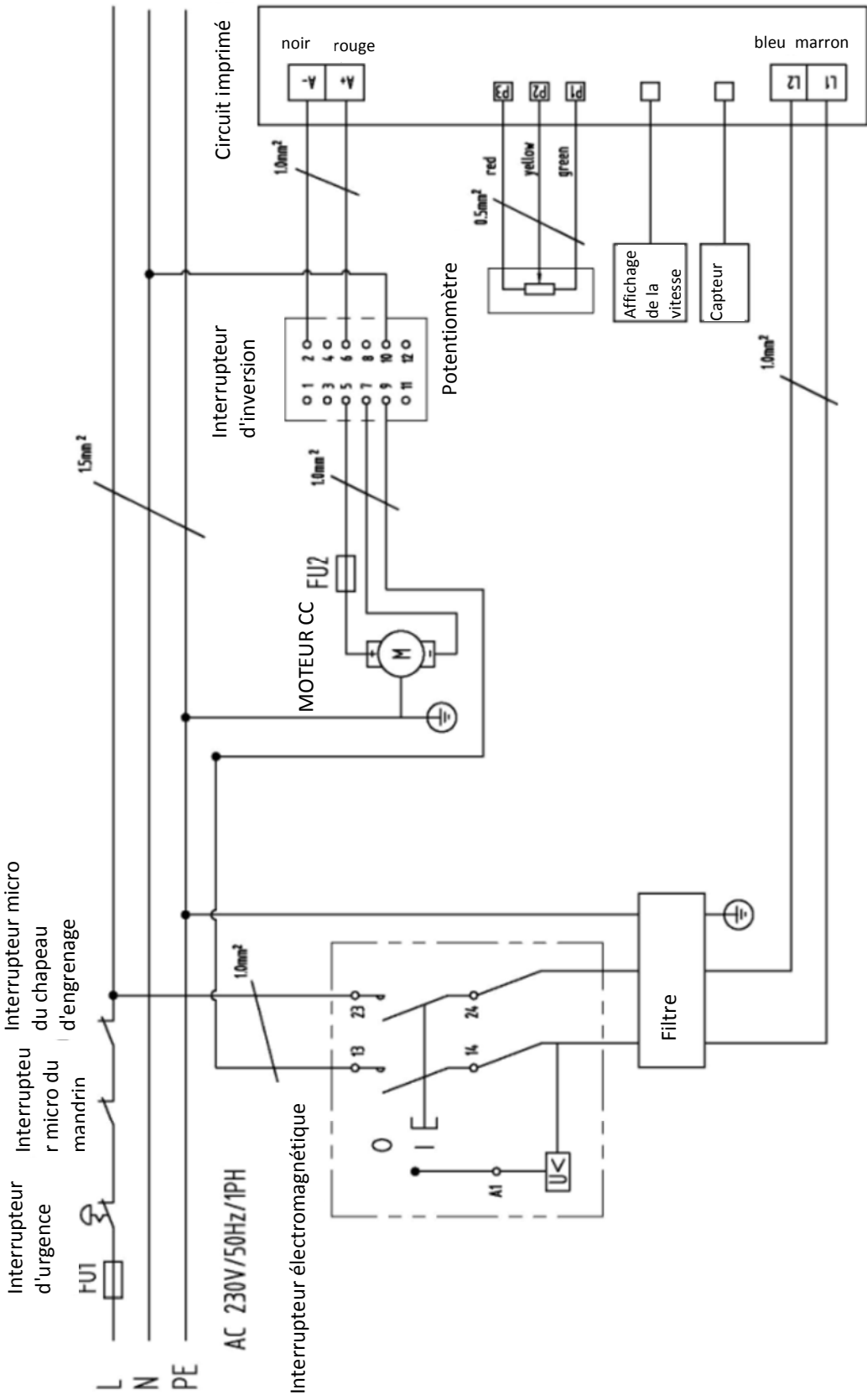


PBD-2555V Liste de pièces de la vue explosée -8

Index N°	Pièce N°	Description	Taille	Qté
904	PBD2555V-8-904	PIECE DE CENTRAGE DU MANCHON DE BROCHE		1
905	PBD2555V-8-905	MANCHON DE LA BROCHE		1
906	PBD2555V-8-906	BROCHE		1
907	PBD2555V-8-907	ROULEMENT A BILLES RAINURE AXIALEMENT	51101	1
910	PBD2555V-99	CLE PLATE	4 x 14 mm	1
911	PBD2555V-8-911	BAGUE A ECHELONS		1
912	PBD2555V-8-912	ROUE A MAIN		1
913	PBD2555V-100	PLAQUE RESSORT		1
914	PBD2555V-101	RONDELLE	ISO 7090 - 8	1
915	PBD2555V-102	ECROU HEXAGONAL	DIN 6924 - M8	1
916	PBD2555V-8-916	BOITIER POUR LA POIGNEE		1
917	PBD2555V-8-917	BOULON DE FIXATION POUR LE BOITIER		1
919	PBD2555V-8-919	LEVIER DE SERRAGE		1
921	PBD2555V-103	VIS A SIX PANS CREUX	GB 70-85 - M8 x 30	2
922	PBD2555V-8-922	PIECE DE CENTRAGE DU MANCHON DE BROCHE		1
930	PBD2555V-104	GOUPILLE FILETEE	ISO 4028 - M4 x 5	1
931	PBD2555V-8-931	DOUILLE DE GUIDAGE		1
932	PBD2555V-8-932	COUVERCLE		1
933	PBD2555V-105	VIS A TETE CONIQUE	ISO 2009 - M5 x 10	4
934	PBD2555V-8-934	VIS DE SERRAGE		1
935	PBD2555V-8-935	RESSORT	1,2 x 13,2 x 40 mm	1
936	PBD2555V-8-936	PLAQUE DE SERRAGE		1
937	PBD2555V-106	ECROU HEXAGONAL	ISO 4035 - M12	1
938	PBD2555V-107	RONDELLE		1
939	PBD2555V-108	RIVET		4
940	PBD2555V-8-940	ECHELLE		1
941	PBD2555V-8-941	CAME EXCENTRIQUE		1
942	PBD2555V-109	GOUPILLE FILETEE	ISO 4028 - M6 x 12	1
944	PBD2555V-8-944	RONDELLE		1
945	PBD2555V-8-945	LEVIER DE SERRAGE		1
946	PBD2555V-8-946	ECHELLE		1
947	PBD2555V-8-947	CHARIOT		1
948	PBD2555V-8-948	CONTRE-POUPEE DE LA PLAQUE DE BASE		1
949	PBD2555V-8-949	SECTION SUPERIEURE DE LA CONTRE-POUPEE		1
950	PBD2555V-8-950	COLLIER DE LA PIECE DE SERRAGE		1
951	PBD2555V-110	VIS A SIX PANS CREUX	GB 70-85 - M5 x 14	4
952	PBD2555V-8-952	LEVIER DE SERRAGE DE LA TETE		1

16.0 Schémas de câblage

PBD-2555V1~230V, PE, 50Hz



PBD-2555V Liste des pièces électriques

Désignation	Modèle	Quantité	Remarque
Interrupteur électromagnétique	KJD17GF	1	
Interrupteur d'inversion A/R	ZH-A	1	
Filtre EMC		1	
Arrêt d'urgence	ZB2-BE102C	1	
Circuit imprimé		1	
Potentiomètre	WX14-12 4K7	1	
Capteur et affichage de la vitesse	JD011 5 V	1	
Moteur CC		1	
FU1 , FU2		1	
Interrupteur du pare-engrenage	QKS8	1	
Interrupteur du pare-mandrin	LXW5-11Q1	1	

PBD-2555V - Detailed content of delivery / Detaillierter Lieferumfang / Contenu détaillé de la livraison

No.	Part no./Sach-Nr./Réf.	Description	Bezeichnung	Description	Size/Größe/Dim.	Qty/Qté. Menge
1	PBD-2555V	Machine	Maschine	Machine		1
2		Operating instructions and parts manual	Betriebsanleitung und Stückliste	Manuel Utilisateur et Nomenclature		1
3		Chip tray	Spänewanne	Bac à copeaux		1
4	PBD2555V-807	Cabinet stand	Schrankständer	Socle de l'armoire		1
5	59500112	Coolant system	Kühlmittelsystem	Système de refroidissement		1
8	Tool box/Werkzeugkoffer/Valise d'outils					
	No.					
	1	Oil can	Ölkanne	Burette d'huile		1
	2	Hexagon Wrench	Sechskantschlüssel	Clé six pans	2.5/3/4/5/6	5
	3	Double End Spanner	Doppelte Schraubenschlüssel	Clé double	8-10/12-14/17-19	3
	4	Gates Belt	Riemen	Courroie	7M-710	2
	5	Chuck Spanner	Futterschlüssel	Clé pour mandrin		1
	6	PBD2555V-456	MT4 fixed centre	MK4 feststehende Spitze	Pointe fixe CM4	1
	7	PBD1830V-532	MT2 fixed centre	MK2 feststehende Spitze	Pointe fixe CM2	1
	8	Reverse Chuck 3 Jaws	Dreibackenfutter	Mandrin à trois mors	φ125mm	3
	9	Painting Can	Lackdose	Pot de peinture		2
	10	Handle	Griff	Poignée		3
	11	Change Gears	Ritzel	Pignon	30/45/50/60/60/65/85T	8
	12	Bushing	Ring	Bague		1
	13	Cross Screwdriver	Kreuzschlitzschraubendreher	Tournevis cruciforme	3"	1
	14	Straight Screwdriver	Gerader Schraubendreher	Tournevis droit	3"	1
	15	Fuse	Sicherung	Fusible	10A	2
	16	T allen Key	T-Inbussschlüssel	Clé Allen en T	6mm	1
	17	Quadruple tool holder spanner	Werkzeughalterschlüssel	Clé du porte-outils	8mm	1
	18	HSS Cutting tools	HSS-Schneidwerkzeuge	Outils coupants HSS		1

Special accessory / Sonderzubehör / Accessoires spéciaux						
	PBD2555V-159	Face plate	Stahlhalter	Plaque de fixation		1
	PBD1830V-533	live centre	Mitlaufende Spitze	Pointe tournante	MT2/MK2/CM2	1
	PBD2555V-714	Steady rest	Feststehende Lünette	Lunette fixe		1
	PBD2555V-715	Follow rest	Mitlaufende Lünette	Lunette à suivre		1
	PBD2555V-158	4-jaw chuck	Vierbackenfutter	Mandrin à quatre mors		1
		Europe quick change toolpost	Schnellwechsel-Werkzeughalter	Porte-outils à changement rapide		1





Warranty / Garantie

TOOL FRANCE SARL guarantees that the supplied product(s) is/are free from material defects and manufacturing faults.

This warranty does not cover any defects which are caused, either directly or indirectly, by incorrect use, carelessness, damage due to accidents, repairs or inadequate maintenance or cleaning as well as normal wear and tear.

Further details on warranty (e.g. warranty period) can be found in the General Terms and Conditions (GTC) that are an integral part of the contract.

These GTC may be viewed on the website of your dealer or sent to you upon request.

Tool France PROMAC, JPW Industries-Europe reserves the right to make changes to the product and accessories at any time.

TOOL FRANCE SARL garantiert, dass das/die von ihr gelieferte/n Produkt/e frei von Material- und Herstellungsfehlern ist.

Diese Garantie deckt keinerlei Mängel, Schäden und Fehler ab, die - direkt oder indirekt - durch falsche oder nicht sachgemäße Verwendung, Fahrlässigkeit, Unfallschäden, Reparaturen oder unzureichende Wartungs- oder Reinigungsarbeiten sowie durch natürliche Abnutzung durch den Gebrauch verursacht werden.

Weitere Einzelheiten zur Garantie können den allgemeinen Geschäftsbedingungen (AGB) entnommen werden.

Diese können Ihnen auf Wunsch per Post oder Mail zugesendet werden.

Tool France PROMAC, JPW Industries-Europe behält sich das Recht vor, jederzeit Änderungen am Produkt und am Zubehör vorzunehmen.

TOOL FRANCE SARL garantit que le/les produit(s) fourni(s) est/sont exempt(s) de défauts matériels et de défauts de fabrication.

Cette garantie ne couvre pas les défauts, dommages et défaillances causés, directement ou indirectement, par l'utilisation incorrecte ou inadéquate, la négligence, les dommages accidentels, la réparation, la maintenance ou le nettoyage incorrects et l'usure normale.

Vous pouvez trouver de plus amples détails sur la garantie dans les conditions générales (CG).

Les CG peuvent être envoyées sur demande par poste ou par e-mail .

Tool France PROMAC, JPW Industries-Europe se réserve le droit d'effectuer des changements sur le produit et les accessoires à tout moment.